

PCM300Y(WTR03) Industrial Pressure/Level Transmitter

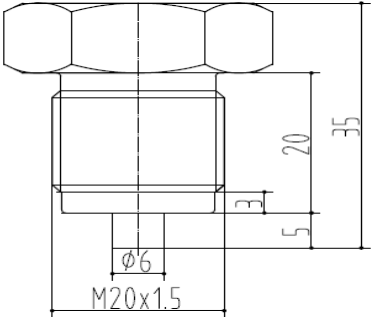
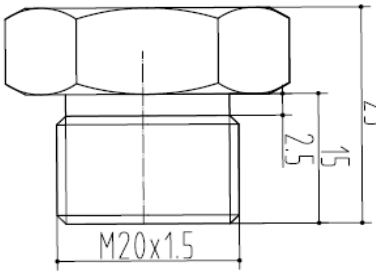
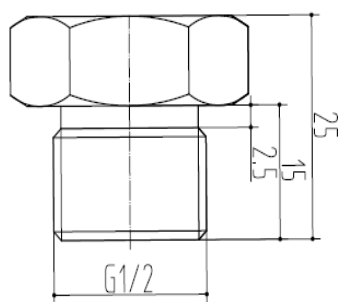


Features

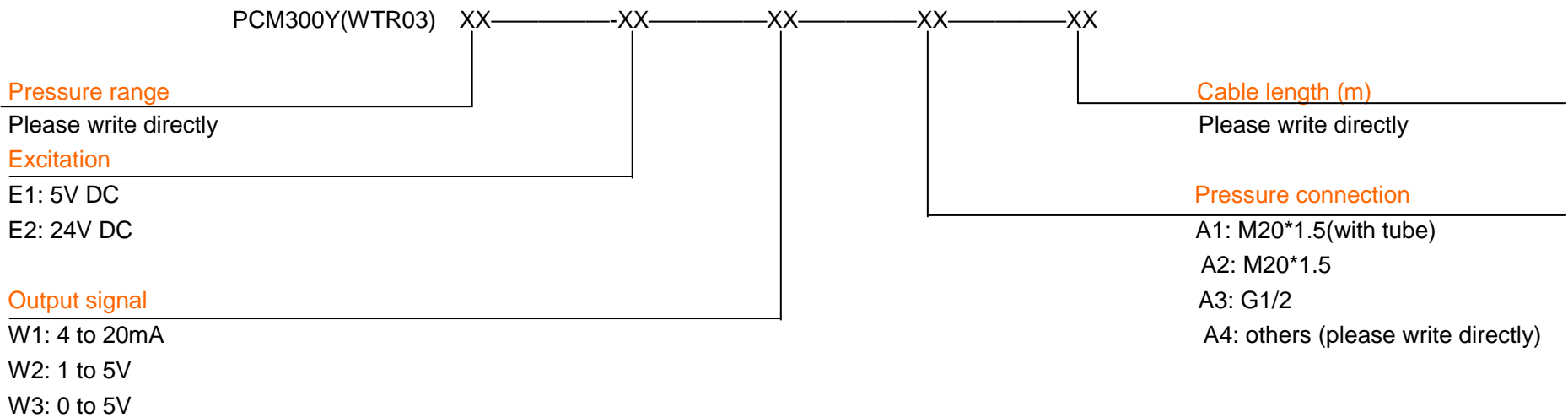
- IP68
- Piezoresistive silicon chip employed
- MEMS technology
- CE certificate

PCM300Y(WTR03) industrial pressure/level transmitter is a standard and most popular transmitter applied in air and liquid pressure measuring. A high sensitivity silicon pressure chip is employed in the sensor. The most important specification for industry application is long term stability. PCM300Y(WTR03) is designed for industry application with perfect long term stability.

Pressure range	
Pressure range	Pressure measurement: -100Kpa, 10kPa, 35kPa, 70kPa, 100kPa, 250kPa, 400kPa, 600kPa, 1MPa, 1.6MPa, 2.5MPa, 4MPa, 6MPa, 10MPa, 16MPa, 25MPa, 40MPa, 60MPa, 100MPa Level measurement: 0.5m, 1m, 2m, 5m, 10m, 20m, 50m, 100m, 200m H ₂ O
Pressure reference	Gauge pressure
Output signal	
Output	4 to 20mA 1 to 5V 0 to 5V
Specification	
Accuracy (linearity, repeatability and hysteresis)	±0.5%F.S. (Typical)
Excitation	24VDC 5VDC
Compensated temp.	-20-80°C (typical)
Operating temp.	-20-85°C
Storage temp.	-40-125°C
Zero temp. coefficient	±0.03%F.S./°C
Span temp. coefficient	±0.03%F.S./°C
Pressure connection	see last page "how to order"
Protection	IP68
Housing material	Stainless steel 304 (SS316 for sensor inside)
Long-term Stability	≤0.2%F.S./year
Weight	260g(approx)

Thread	M20*1.5	M20*1.5	G1/2
Dimension in mm Hex 27mm			
Code	A1(with tube)	A2	A3

How to order



Wotian reserves the right to make any change in this publication without notice. The information provided is believed to be accurate and reliable as of this product sheet.

Contact us

Nanjing Wotian Technology Co., Ltd.

Add: 5 Wenying Road, Binjiang Development Zone, Nanjing, 211161, China

Sales Manager: Wuzhou Lian

MP: 0086-13998828452

Email: lianwuzhou@wtsensorus.com