

PCM302(WTE02) Explosion-proof Pressure Transmitter



Features

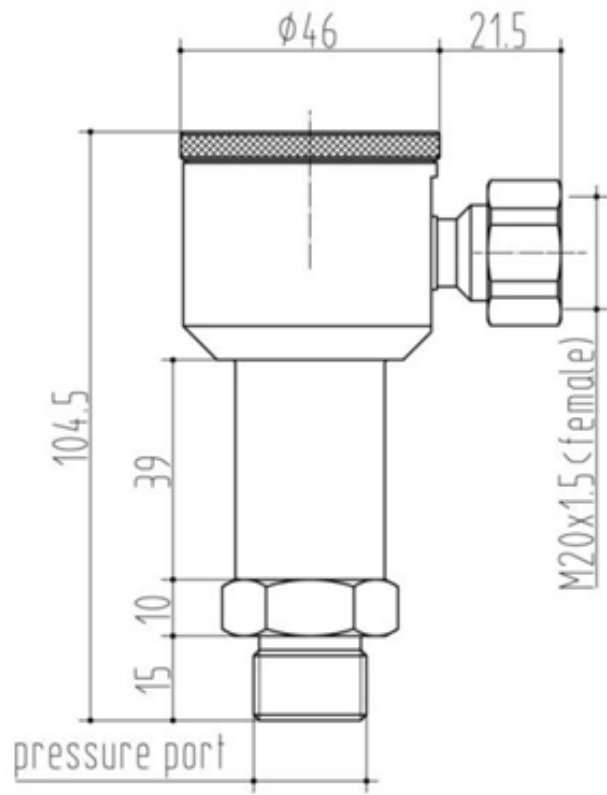
- Piezoresistive silicon chip employed
- MEMS technology
- Exia IIC T6

PCM302(WTE02) is designed for hazardous area application. It is used for explosion-proof industry widely.

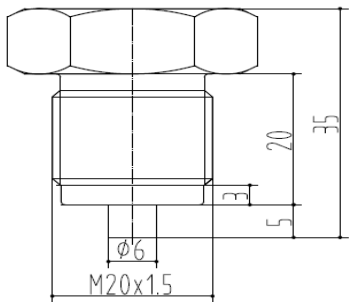
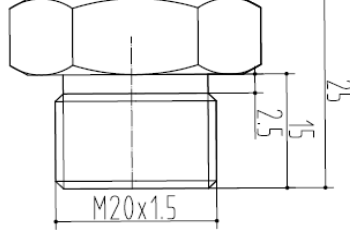
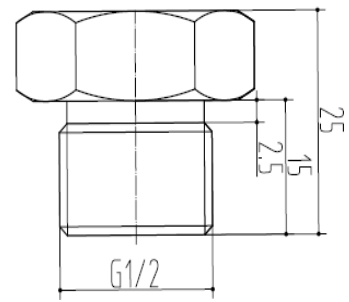
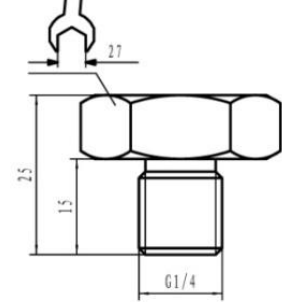
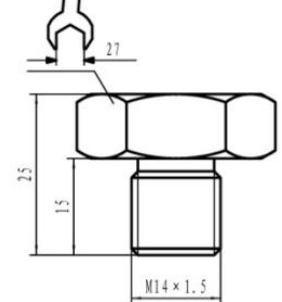
Advantages

- Hazardous area application
- Isolation explosion-proof
- Good long term stability
- Excellent linearity

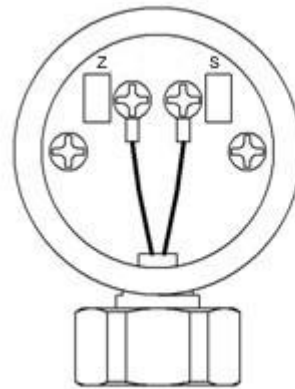
Pressure range	
Pressure range	-100kPa, 35kPa, 70kPa, 100kPa, 250kPa, 400kPa, 600kPa, 1MPa, 1.6MPa, 2.5MPa, 4MPa, 6MPa, 10MPa, 16MPa, 25MPa, 40MPa, 60MPa, 100MPa (bar and psi unit available)
Pressure reference	Gauge pressure Absolute pressure Sealed gauge pressure
Overpressure	200%F.S.(< 25MPa) 150%F.S.(≥ 25MPa)
Output signal	
Output	4 to 20mA 1 to 5V 0 to 5V
Specification	
Accuracy (linearity, repeatability and hysteresis)	±0.5%F.S. (Typical)
Supply	24VDC 12VDC
Compensated temp.	-10°C -70°C -20°C -85°C
Operating temp.	-40°C -125°C
Storage temp.	-40°C -125°C
Zero temp. coefficient	±1.5%F.S.max.(-20°C -85°C)
Span temp. coefficient	±1.5%F.S.max.(-20°C -85°C)
Pressure connection	See "how to order"
Long-term Stability	≤0.2%F.S./year
Housing material	Stainless steel 304
Sensor material	Stainless steel 316L
O-ring	NBR, Viton
Protection	IP65
Ex-proof	Exia IIC T6



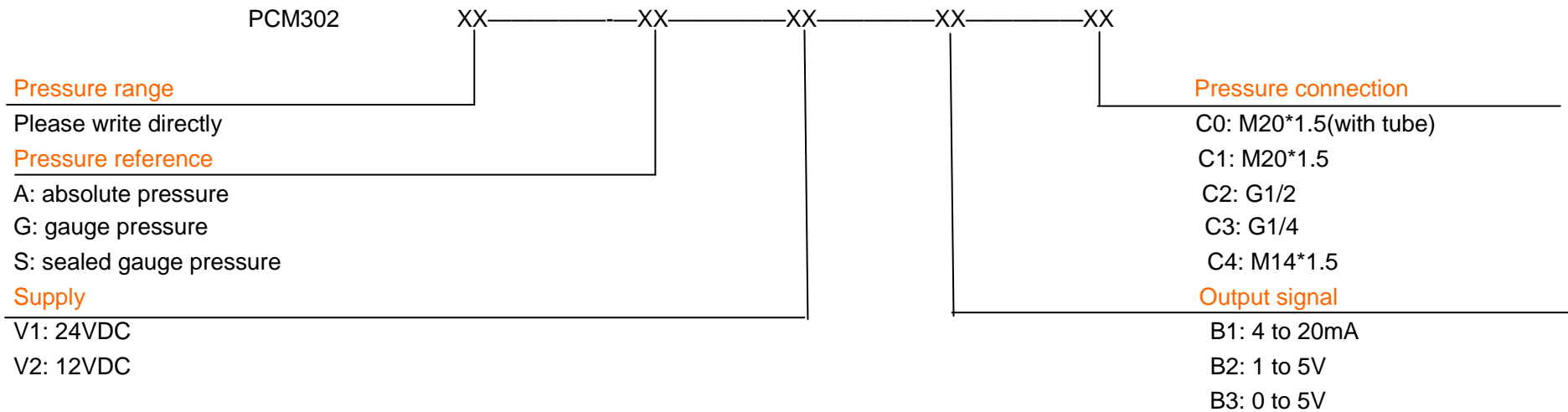
In mm

Thread	M20*1.5	M20*1.5	G1/2	G1/4	M14*1.5
Dimension in mm Hex 27mm					
Code	C0(with tube)	C1	C2	C3	C4

Wire connection



Note: The wire connection is non-polarity 2-wire connection. The excitation and output can be connected with any side of the wire connecting terminal. No matter which terminal side the excitation or output connects with, the effect is the same.



Wotian reserves the right to make any change in this publication without notice. The information provided is believed to be accurate and reliable as of this product sheet.

Contact us

Nanjing Wotian Technology Co., Ltd.

Add: 5 Wenying Road, Binjiang Development Zone, Nanjing, 211161, China

Sales Manager: Wuzhou Lian

MP: 0086-13998828452

Email: lianwuzhou@wtsensorus.com