

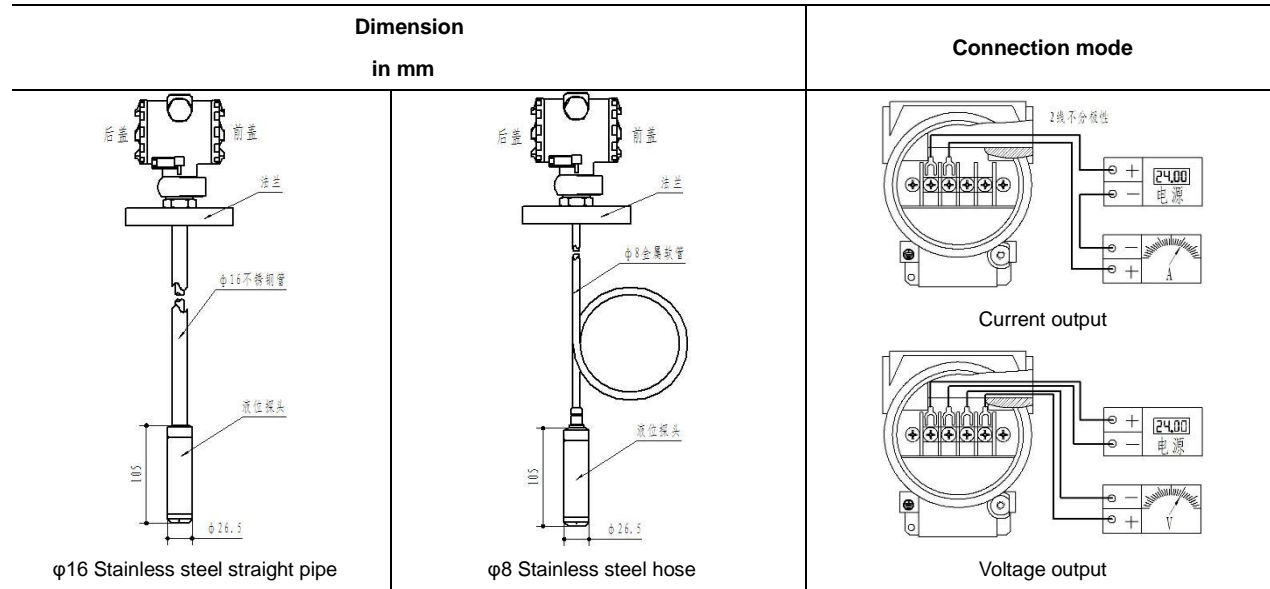
PCM261 Level Transmitter



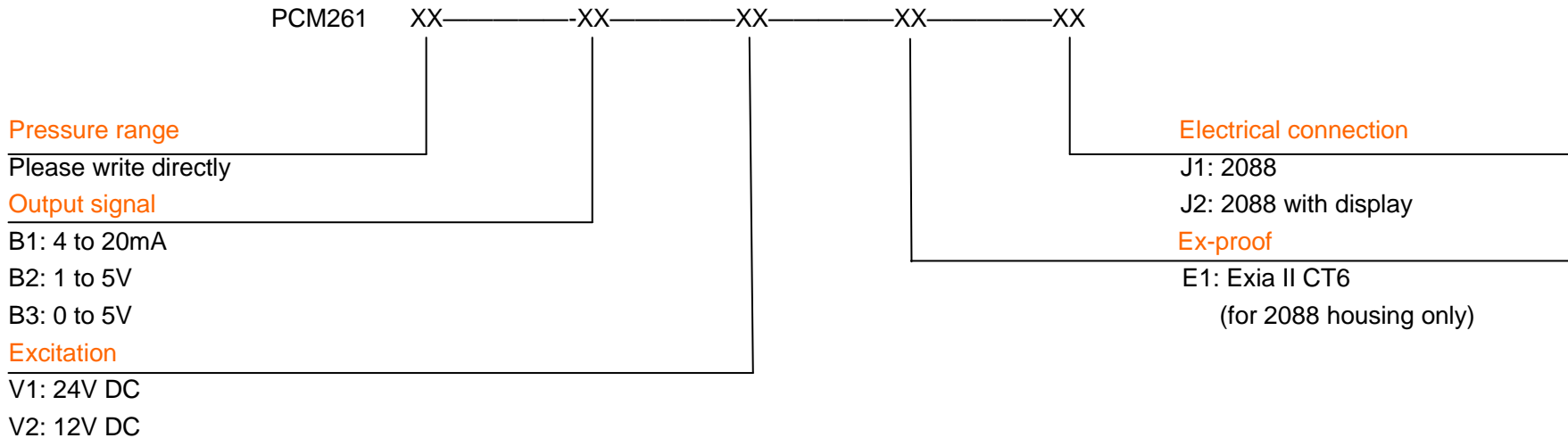
- Piezoresistive silicon chip employed
- Probe insertion measurement mode, simple and convenient installation
- Custom flange
- All-metal armored, high strength steel pipe structure
- Multiple protection structure design, high protection ability
- LCD option
- Corrosion resistant stainless steel adopted, applicable to various industry fields

PCM261 Level Transmitter accurately measures static pressure of the liquid proportional to the level depth using high performance piezoresistive silicon chip as the measuring element. The result is converted to standard current or voltage signal output through signal conditioning circuit, establishing the linear corresponding relation between the output signal and liquid depth to complete the measurement of the liquid depth. The flange can be customized and the cable is packaged in the armored stainless steel pipe. The material is reliable. The product has passed long-term aging and stability screening with stable performance and reliable sealing, and can be used in harsh outdoor environment. It is applicable to the measurement and control of the liquid level in the petroleum, chemical industry, power plant, urban water supply and hydrological exploration fields.

Pressure range	
Pressure range	0.5m, 1m, 2m, 5m, 10m, 20m, 50m, 100m, 200m H ₂ O
Overpressure	150%F.S.
Output signal	
Output	4 to 20mA 1 to 5V 0 to 5V
Specification	
Accuracy (linearity, repeatability and hysteresis)	±0.5%F.S.
Excitation	24VDC 12VDC
Operating temp.	0-85°C
Medium temp.	-20-85°C
Storage temp.	-40-125°C
Compensated temp.	0m-10m H ₂ O: 0-60°C 10m-200m H ₂ O: -10-70°C
Zero temp. coefficient	±1.5%F.S.max.(within compensated temp.)
Span temp. coefficient	±1.5%F.S.max.(within compensated temp.)
Mechanical vibration	20g(20 to 5000HZ)
Shock	100g(11ms)
Insulation	200MΩ/250VDC
Response time	≤1ms(up to 90%FS)
Long term stability	≤0.2%F.S.S/year
Protection	IP68
Material	Low copper aluminum alloy for junction box, stainless steel for probe; Stainless steel for flange
Medium compatibility	All kinds of media compatible with 304 stainless steel



How to order





Wotian reserves the right to make any change in this publication without notice. The information is believed to be accurate and reliable as of this product sheet.

Contact us

Nanjing Wotian Technology Co.,Ltd.

Add: 5 Wenyang Road, Binjiang Development Zone, Nanjing, 211161, China

Sales Manager: Wuzhou Lian

MP: 0086-13998828452

Email: lianwuzhou@wtsensorus.com