

PCT120 Armored Temperature Sensor

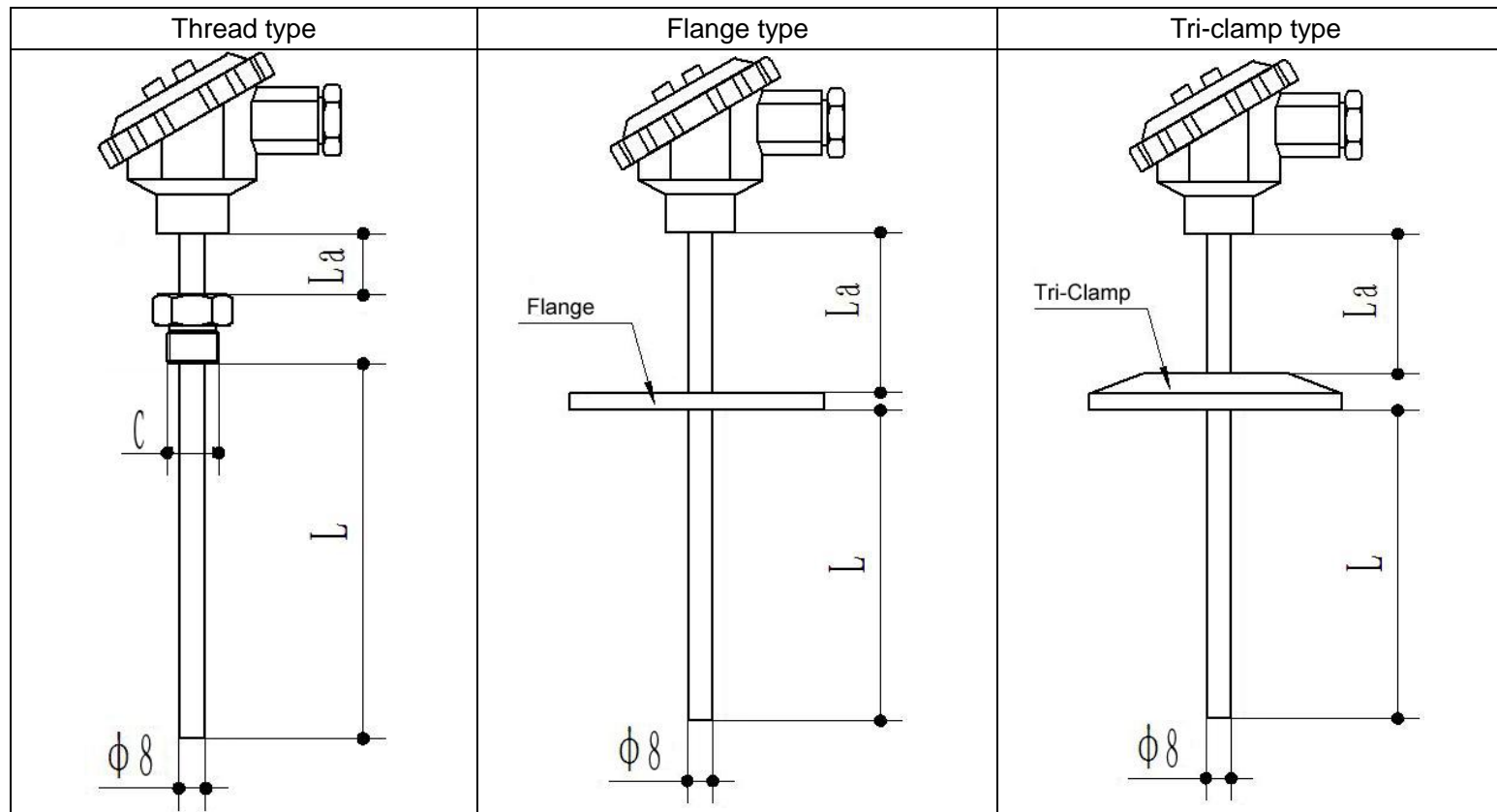


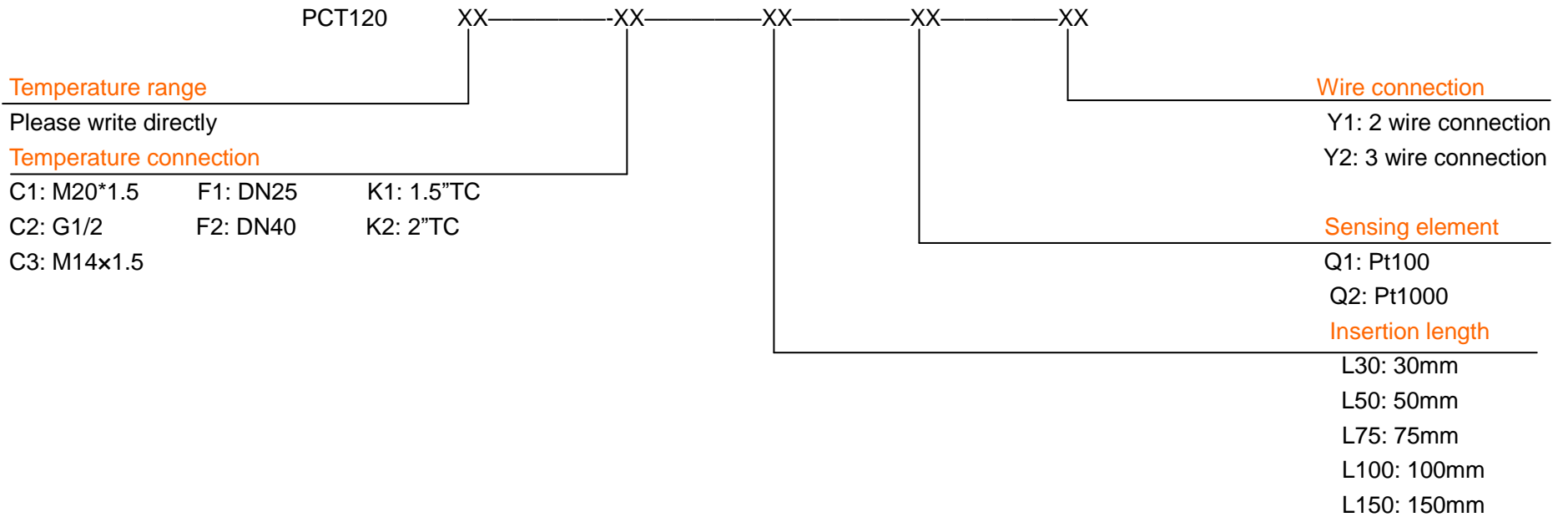
Platinum temperature sensor
 Vibration resistance, good reliability, high accuracy
 PT100, (PT1000 selectable)

Temperature range	
Temperature range	-50°C to 250°C
Specifications	
Resistance value R0 (at 0°C)	Class A: 100±0.06Ω
Allowable deviation value Δ °C	Class A: $\pm(0.15+0.002 t)$
Graduation	PT100 PT1000
Accuracy	±0.5%F.S.
Heat response time	≤30S

Insertion length	$\geq 10\text{mm}$
Insertion diameter	$\Phi 6\text{mm} \mid \Phi 8\text{mm}$
Insulation	$100\text{M}\Omega/250\text{VDC}$
Current	$\leq 5\text{mA}$
Protection	IP65
Electrical connection	Cable outlet
Long term stability	$\leq 0.2\% \text{FS/year}$
Ex-proof	Exia IIC T6

Drawing





Wotian reserves the right to make any change in this publication without notice. The information provided is believed to be accurate and reliable as of this product sheet.

Contact us

Nanjing Wotian Technology Co.,Ltd.
 Add: 5 Wenyang Road, Binjiang Development Zone, Nanjing, 211161, China
 Sales Manager: Wuzhou Lian
 MP: 0086-13998828452
 Email: lianwuzhou@wtsensorus.com