

PCT100 Temperature Sensor

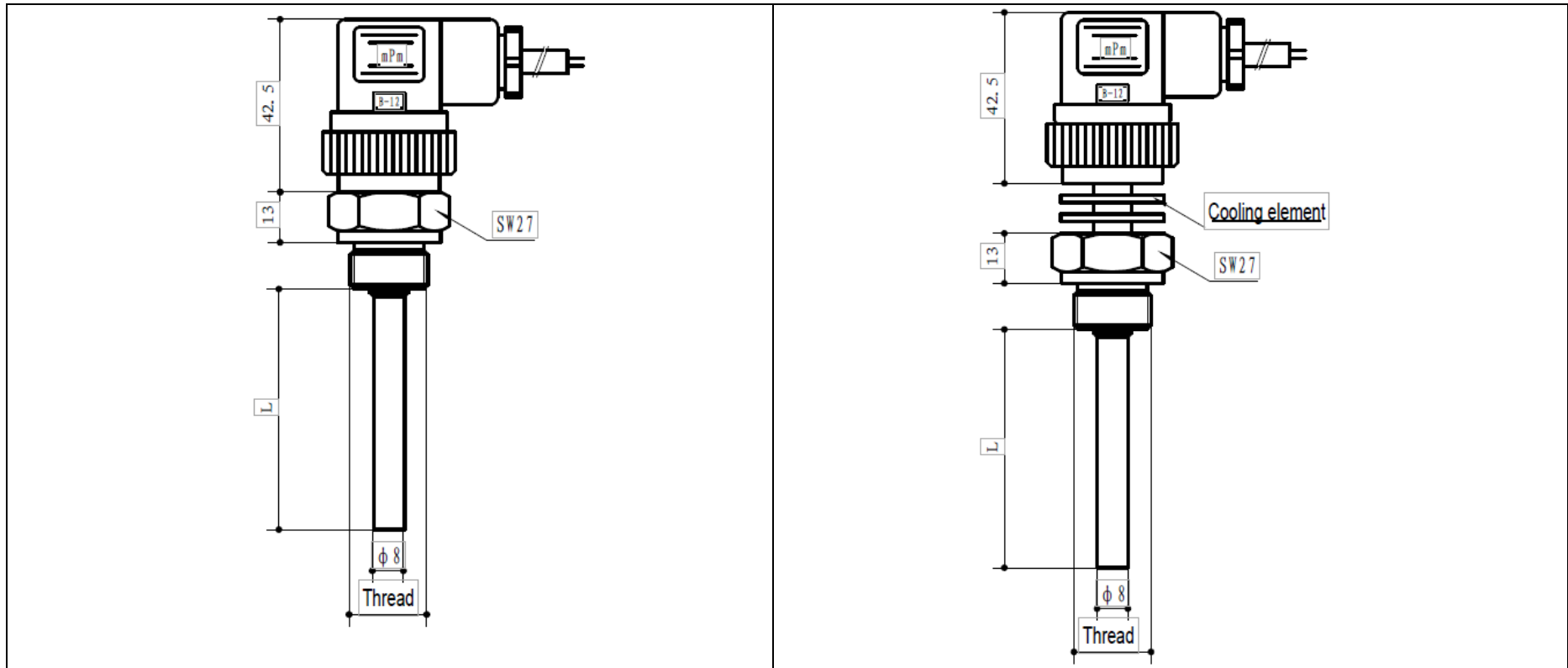


Platinum temperature sensor

Vibration resistance, good reliability, high accuracy

PT100, (PT1000 selectable)

Temperature range	
Temperature range	-50°C to 250°C
Specification	
Accuracy	±0.5%
Long term stability	≤0.2%F.S./year
Resistance value R0 (at 0°C)	Class A: 100±0.06Ω
Allowable deviation value Δ °C	Class A: ±(0.15+0.002 t)
Heat response time	≤30S
Minimum insertion length	≥10mm
Insertion diameter	Φ8mm (others please specify)
Insulation	100MΩ/250VDC
Current	≤5mA
Protection	IP65
Electrical connection	DIN43650

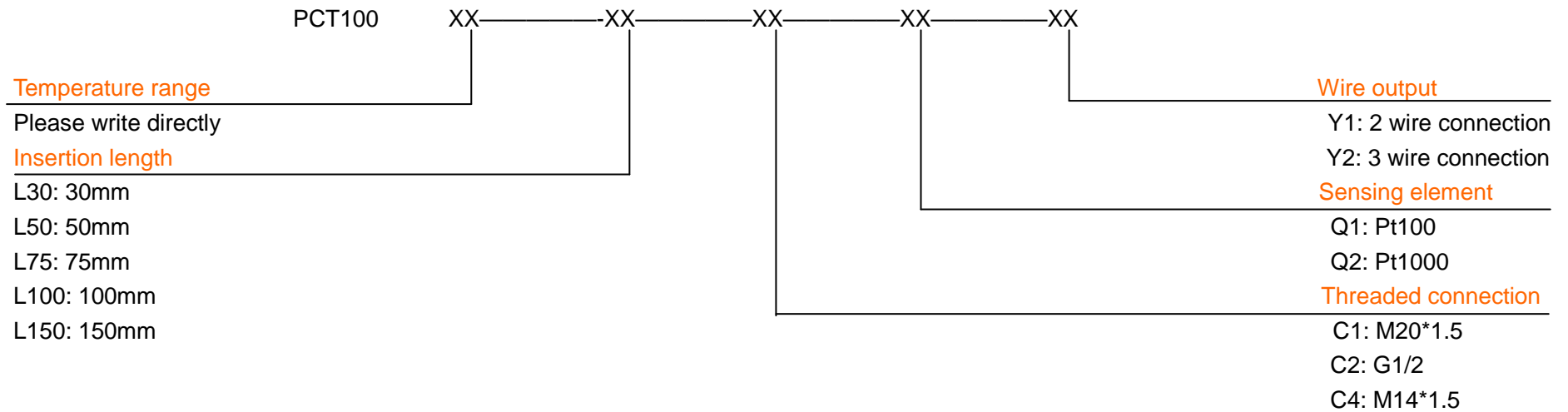


2 Wires

Wire	Connection
red	Pt100
white	Another side of Pt100

3 Wires

Wire	Connection
red	Pt100
white	Another side of Pt100
white	Compensation wire



Wotian reserves the right to make any change in this publication without notice. The information provided is believed to be accurate and reliable as of this product sheet.

Contact us

Nanjing Wotian Technology Co.,Ltd.
 Add: 5 Wenyong Road, Binjiang Development Zone, Nanjing, 211161, China
 Sales Manager: Wuzhou Lian
 MP: 0086-13998828452
 Email: lianwuzhou@wtsensorus.com