

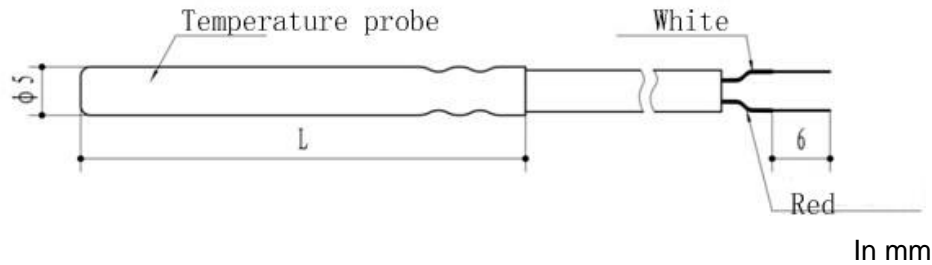
PCT10 Industrial Temperature Sensor



- Platinum temperature sensor
- Vibration resistance, good reliability, high accuracy
- PT100, (PT1000 selectable)

| Temperature range | |
|--|------------------------------|
| Temperature range | -50°C to 150°C |
| Specification | |
| Accuracy (linearity, repeatability and hysteresis) | ±0.25%F.S. (Typical) |
| Resistance value R0 (at 0°C) | Class A: 100±0.06Ω |
| Allowable deviation value Δ °C | Class A: ±(0.15+0.002 t) |
| Heat response time | <30S |
| Minimum insertion length | ≥30mm |
| Insertion diameter | Φ5mm (others please specify) |
| Insulation | 100MΩ/100VDC |
| Current | ≤5mA |
| Protection | IP65 |
| Electrical connection | Cable |

Drawing



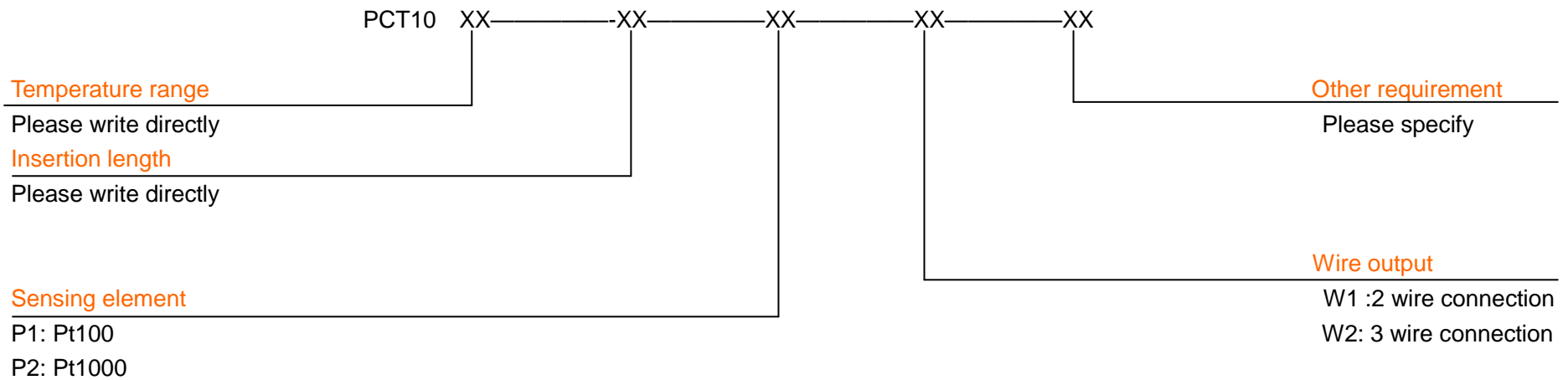
2 Wires

| Wire | Connection |
|-------|-----------------------|
| red | Pt100 |
| white | Another side of Pt100 |

3 Wires

| Wire | Connection |
|-------|-----------------------|
| red | Pt100 |
| white | Another side of Pt100 |
| white | Compensation wire |

How to order



Wotian reserves the right to make any change in this publication without notice. The information provided is believed to be accurate and reliable as of this product sheet.

Contact us

Nanjing Wotian Technology Co.,Ltd.

Add: 5 Wenyang Road, Binjiang Development Zone, Nanjing, 211161, China

Sales Manager: Wuzhou Lian

MP: 0086-13998828452

Email: lianwuzhou@wtsensorus.com