

PCT200E1 Temperature Transmitter

Features

- Movable connector, easy to install
- High strength, high pressure resistance
- Integrated structure
- Long-term stable work
- Fast response
- Reliable structure

Applications

- Equipment support
- Automatic temperature measurement and control systems such as pumps, compressors, natural gas pipelines, etc.
- Temperature measurement of water or oil in petroleum, chemical, electric power, textile, and environmental protection fields, etc.

Notes:

- 1 When measuring temperature, the temperature measuring element should reach thermal equilibrium with the measured object.
- 2 Make sure the insertion length is accurate.
- 3 Please read the Instruction Manual of the product carefully before installation and check the relevant information of the product.
- 4 Strictly follow the wiring method for wiring, otherwise it may cause product damage or other potential faults.
- 5 Misuse of the product may cause danger or personal injury.



Product overview

PCT200E1 Explosion Proof Temperature Transmitter measures medium temperature by using the characteristics of platinum resistance, which changes with temperature change in a certain functional relationship. It adopts imported high-performance, high-reliability platinum resistance, goes through precise temperature and non-linear compensation, and employs good performance modular signal processing technology to measure and calibrate medium temperature and output standard industrial control signals.

The product shell adopts all-stainless steel integrated processing, featuring with small size, fast thermal response, etc. The wire adopts special shielded wire which has a wide temperature range. PCT200E1 is easy to install and has extremely high vibration resistance and shock resistance.

Notes:

- 1 Do not misuse documentation.
- 2 The information presented in this product sheet is for reference only. Do not use this document as a product installation guide.
- 3 Complete installation, operation, and maintenance information is provided in the instructions of the product.
- 4 Misuse of the product may cause danger or personal injury.

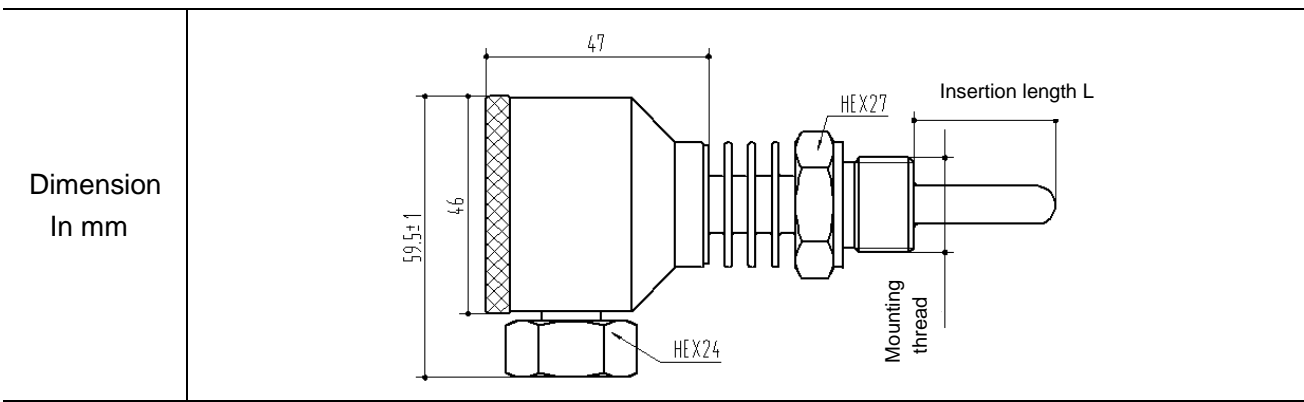
Performance parameters

Temperature range	-50℃~250℃
Supply & output	4~20mA(16~36VDC)
Accuracy	±0.5%FS(typ.)
Sensing element	Pt100 Grade A

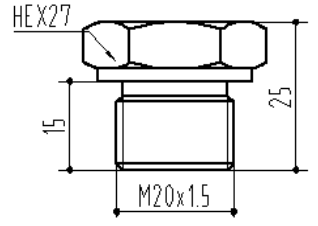
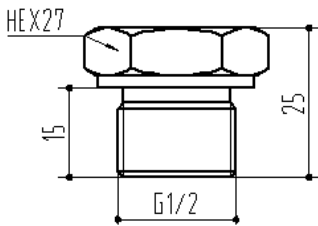
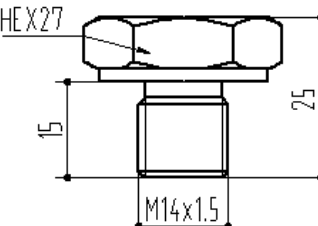
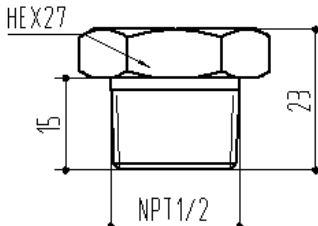
Performance parameters (cont.)

Insulation strength	100MΩ/250VDC
Response time	≤30s
Long term stability	≤0.2%FS/year
Insertion diameter	Φ8mm
Storage temp.	-40℃~85℃
Electrical connection	DIN43650
Protection	IP65
Material	304
Max. mounting torque	25Nm

Structure



Pressure port

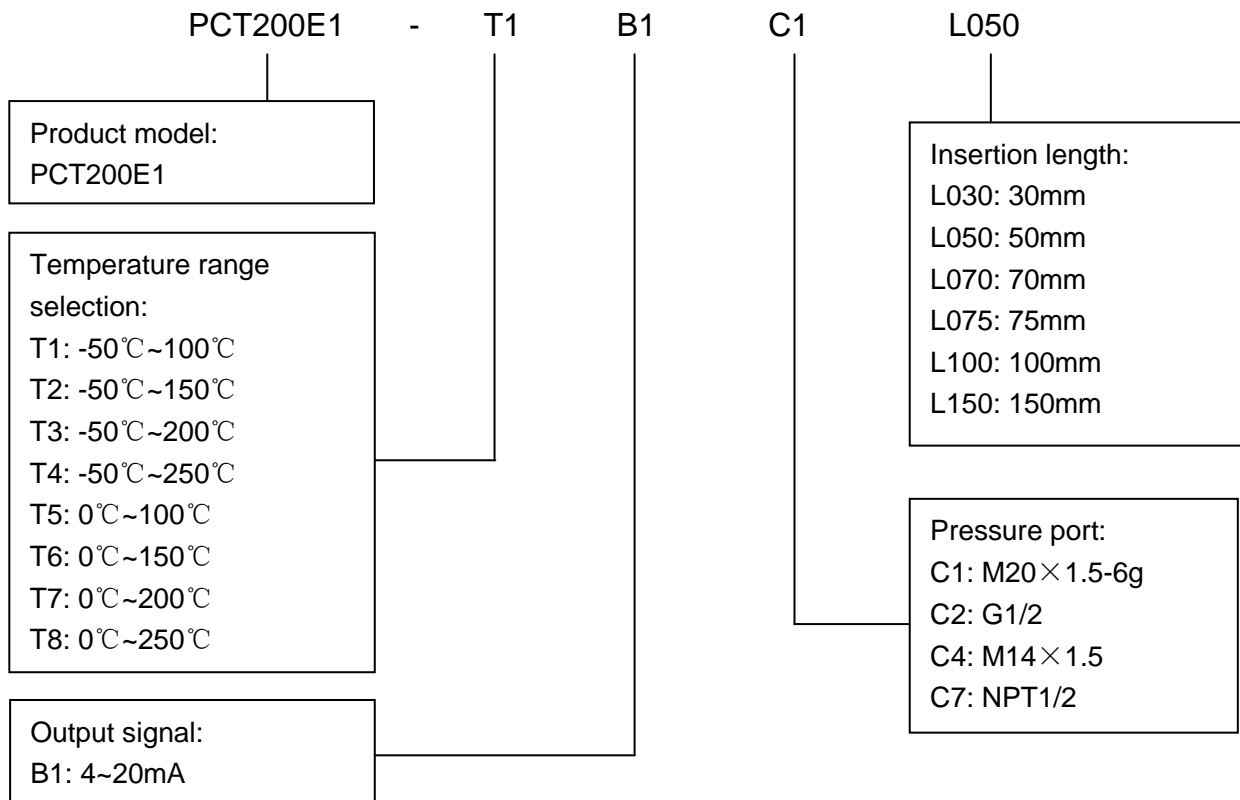
Thread code	C1: M20x1.5-6g	C2: G1/2
Dimension In mm		
Recommended torque	15~25Nm	15~25Nm
Thread code	C4: M24x1.5	C7: NPT1/2
Dimension In mm		
Recommended torque	15~25Nm	15~25Nm

Note: Torque depends on various factors such as material of gasket, supporting materials, lubrication of thread and pressure.

Temperature range selection

Temperature range code	Temperature range	Remark
T1	-50°C~100°C	
T2	-50°C~150°C	
T3	-50°C~200°C	
T4	-50°C~250°C	
T5	0°C~100°C	
T6	0°C~150°C	
T7	0°C~200°C	
T8	0°C~250°C	

How to order



Example: PCT200E1-T1B1C1L050

Refer to product model PCT200E1, with temperature range -50°C~150°C, supply 16~36VDC, output signal 4~20mA, pressure port M20×1.5-6g, and insertion length 50mm.

Ordering tips:

- (1) Ensure compatibility between measured media and contacting part of product.
- (2) For special requirements on the product appearance and performance parameters, customization is available.



Wotian reserves the right to make any change in this publication without notice. The information provided is believed to be accurate and reliable as of this product sheet.

Contact us

Nanjing Wotian Technology Co.,Ltd.

Add: 5 Wenyong Road, Binjiang Development Zone, Nanjing, 211161, China

Sales Manager: Wuzhou Lian

MP: 0086-13998828452

Email: lianwuzhou@wtsensorus.com