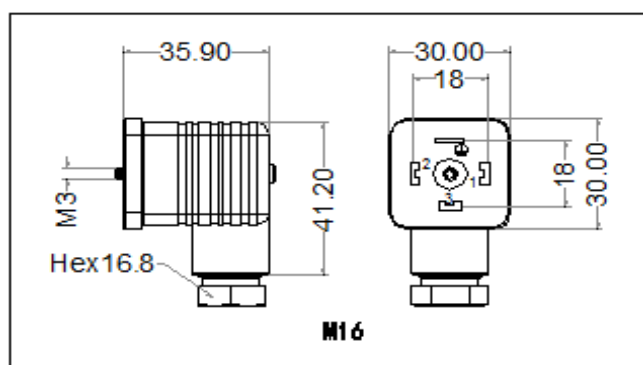
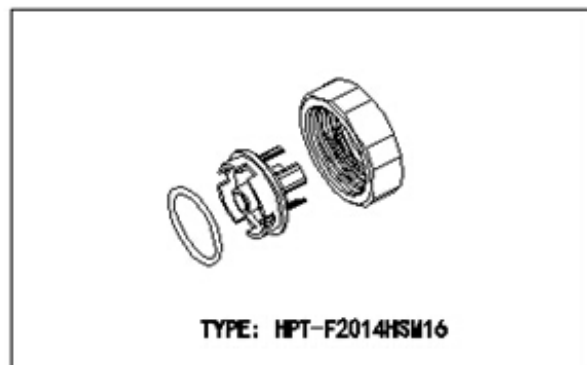
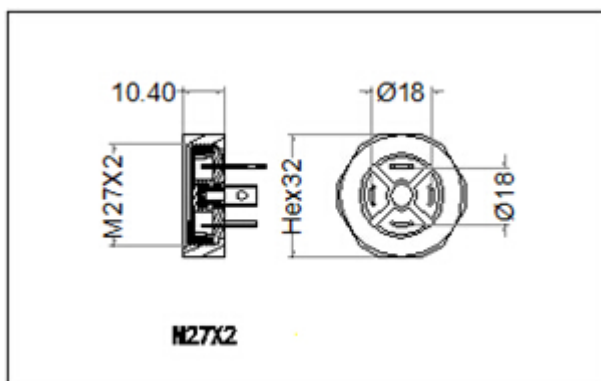


## Hirschmann Connector - HT



### Product description

Type	HPT 316 M16/black
Number of contacts	3+PE
Cable gland	M16
Standard	DIN EN 175 301-803-A
Housing Color	black

### Technical data

Rated voltage	UC 250 V
Rated current	16 A
Contact resistance	<= 4 mOhm
Type of termination	solder
Mounting	screw

### Environmental conditions

Protection class	IP 65 (gasket necessary)
Pollution severity	3
Temperature range	-40 ° C to +125 ° C

### Inflammability class

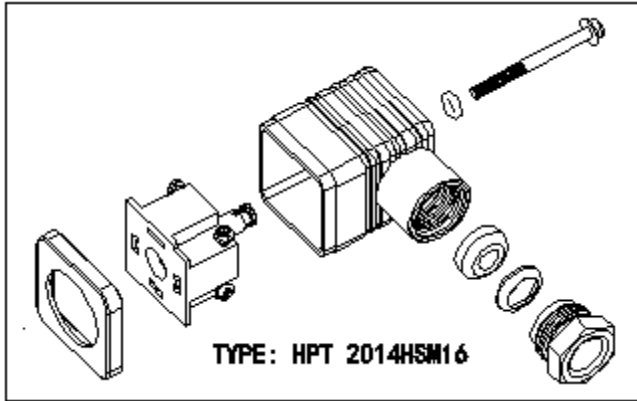
Contact beare	94 HB
---------------	-------

### Packaging unit

Packaging unit	200 pieces
----------------	------------

### Product description

Type	HPT 3016 /black
Number of contacts	3+PE
Cable gland	M16
Conductor size	max. 1.5 mm <sup>2</sup>
Standard	DIN EN 175 301-803-A
Housing Color	black



### Technical data

Pin dimensions	6.3 mm x 0.8 mm, 4.8 mm x 0.8 mm
Rated voltage	UC 250 V
Rated current	16 A
Contact resistance	$\leq 4$ mOhm
Type of termination	screw
Suitable cables	4.5 mm to 10 mm diameter
Mounting	central nut

### Environmental conditions

Protection class (IEC 60529)	IP 65 (gasket necessary)
Pollution severity	3
Temperature range	-40 ° C to +125 ° C

### Packaging unit

Packaging unit	200 pieces
----------------	------------

### 3D Assembly Drawing

