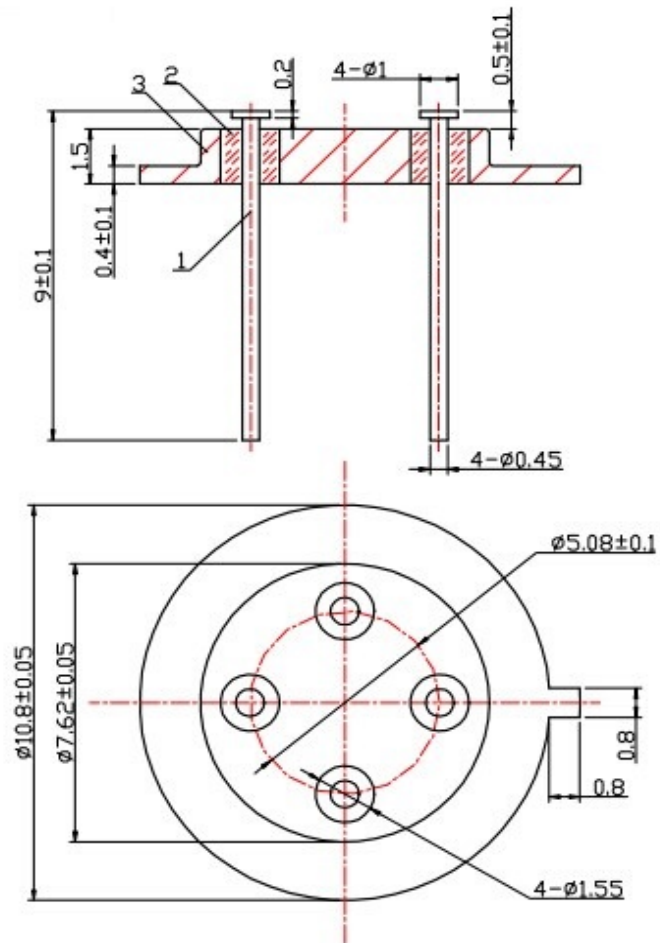


PC-GS03-TO Header



Specification	
Material	Spcc, Kovar and so on
Insulation resistance	500V \geq 1000M Ω
Seal	1 \times 10 ⁻¹⁰ Pa.m ³ /s
Operating temperature	-55 $^{\circ}$ C—150 $^{\circ}$ C
Withstand pressure	20MPa
Pin plating	gold, nickel

Drawing



Contact us

Nanjing Wotian Technology Co.,Ltd.

Add: 5 Wenying Road, Binjiang Development Zone, Nanjing, 211161, China

Sales Manager: Wuzhou Lian

MP: 0086-13998828452

Email: lianwuzhou@wtsensorus.com

American Company

Wotian Sensor Corporation

Sales Manager: Geoffery Gao

MP: 001- 626 808 1707

E-mail: geoffery@wtsensorus.com

German Company

Wotian Sensor GmbH

Sales Manager: Frances

E-mail: frances@wtsensorus.com

Anshan Wotian Sensor Corp. (Branch Factory)

Add: 262, Yueling Road, Gaoxin District, Anshan, China

Sales Manager: Wuzhou Lian

MP: 0086-13998828452

Email: lianwuzhou@wtsensorus.com

Korean Company

Korea Wotian Technology Co., Ltd.

Sales Manager: Yinji An

MP: 0086- 13478122009

E-mail: anyinji@wtsensorus.com