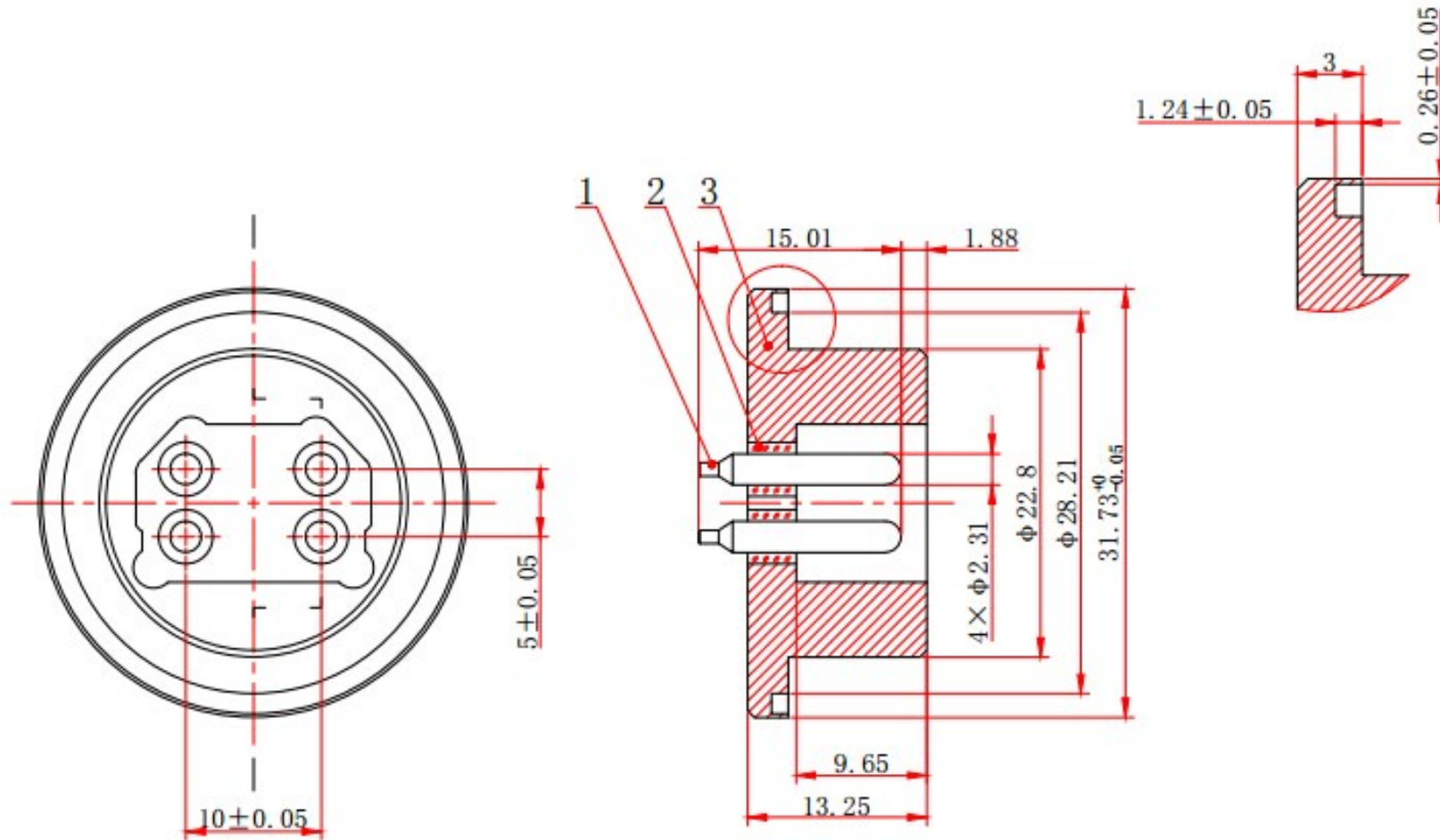


PC-GS08-Connectors



Specification	
Material	304, 4J50
Tolerance	GB/T1804-m
Insulation resistance	$500V \geq 10000M\Omega$
Seal	$\leq 1 \times 10^{-9} Pa \cdot m^3/s$
Operating temperature	$-55^{\circ}C - 125^{\circ}C$
Pressure	15MPa
Withstand voltage	1000V
Lifetime	≥ 500 times
Pin plating	Ni3 μm +Au0.2 μm



Contact us

Nanjing Wotian Technology Co.,Ltd.

Add: 5 Wenying Road, Binjiang Development Zone, Nanjing, 211161, China

Sales Manager: Wuzhou Lian

MP: 0086-13998828452

Email: lianwuzhou@wtsensorus.com

American Company

Wotian Sensor Corporation

Sales Manager: Geoffery Gao

MP: 001- 626 808 1707

E-mail: geoffery@wtsensorus.com

German Company

Wotian Sensor GmbH

Sales Manager: Frances

E-mail: frances@wtsensorus.com

Anshan Wotian Sensor Corp. (Branch Factory)

Add: 262, Yueling Road, Gaoxin District, Anshan, China

Sales Manager: Wuzhou Lian

MP: 0086-13998828452

Email: lianwuzhou@wtsensorus.com

Korean Company

Korea Wotian Technology Co., Ltd.

Sales Manager: Yinji An

MP: 0086- 13478122009

E-mail: anyinji@wtsensorus.com