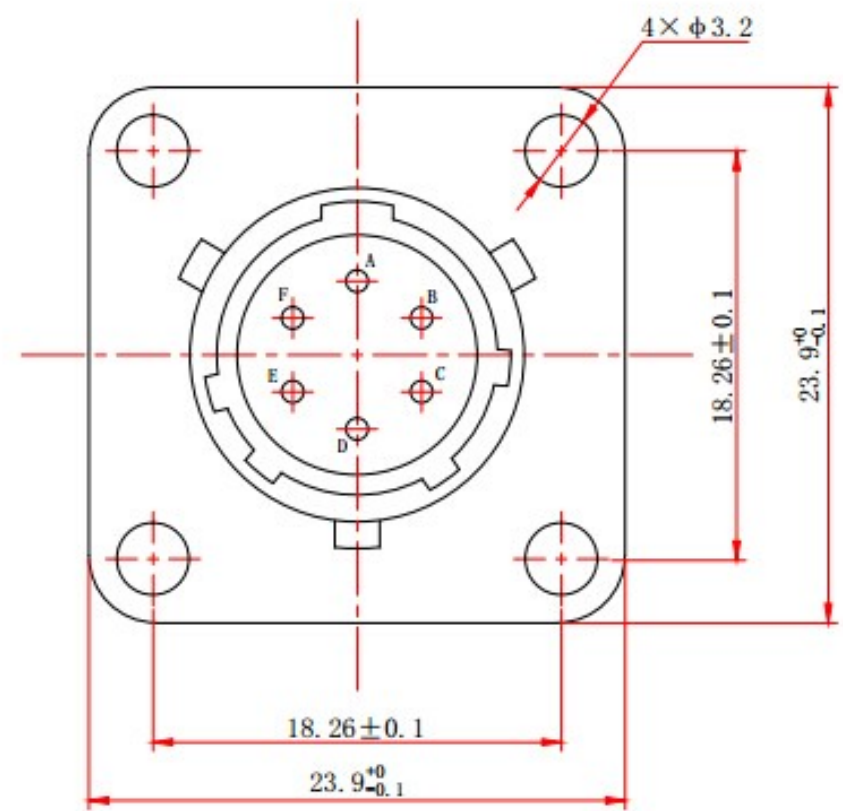
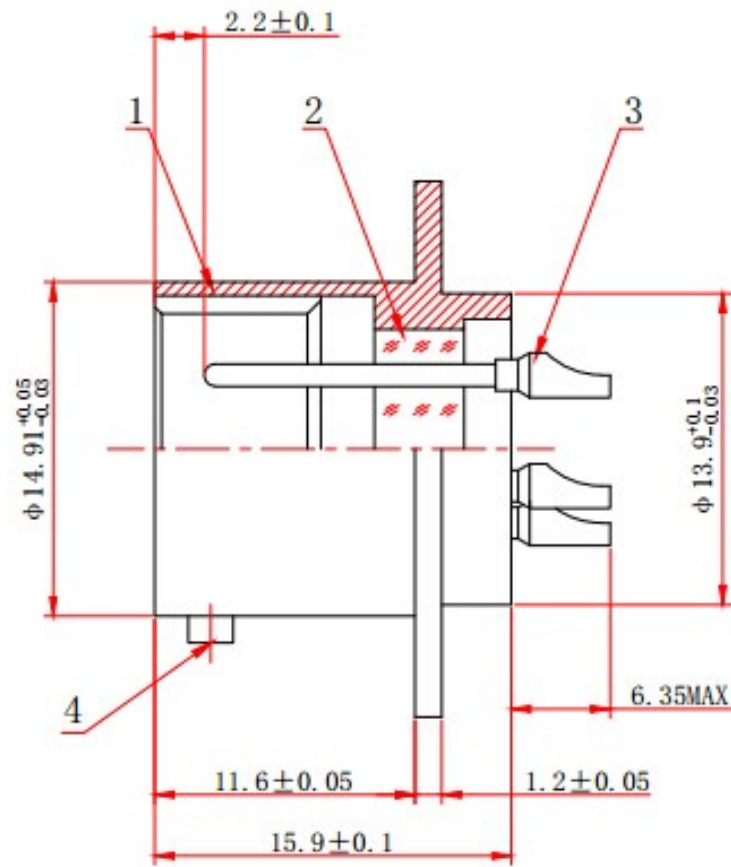


## PC-GS10-Connectors



Specification	
Material	303 , 4J50
Tolerance	GB/T1804-m
Insulation resistance	500V $\geq$ 5000M $\Omega$
Seal	$\leq 1 \times 10^{-9}$ Pa.m <sup>3</sup> /s
Operating temperature	-55 $^{\circ}$ C—125 $^{\circ}$ C
Withstand pressure	8Mpa
Withstand voltage	1500V
Lifetime	$\geq$ 500 times
Pin plating	N2.54~6.35 $\mu$ m+Au1.27-2.54 $\mu$ m

Drawing



### Contact us

Nanjing Wotian Technology Co.,Ltd.

Add: 5 Wenying Road, Binjiang Development Zone, Nanjing, 211161, China

Sales Manager: Wuzhou Lian

MP: 0086-13998828452

Email: [lianwuzhou@wtsensorus.com](mailto:lianwuzhou@wtsensorus.com)

American Company

Wotian Sensor Corporation

Sales Manager: Geoffery Gao

MP: 001- 626 808 1707

E-mail: [geoffery@wtsensorus.com](mailto:geoffery@wtsensorus.com)

German Company

Wotian Sensor GmbH

Sales Manager: Frances

E-mail: [frances@wtsensorus.com](mailto:frances@wtsensorus.com)

Anshan Wotian Sensor Corp. (Branch Factory)

Add: 262, Yueling Road, Gaoxin District, Anshan, China

Sales Manager: Wuzhou Lian

MP: 0086-13998828452

Email: [lianwuzhou@wtsensorus.com](mailto:lianwuzhou@wtsensorus.com)

Korean Company

Korea Wotian Technology Co., Ltd.

Sales Manager: Yinji An

MP: 0086- 13478122009

E-mail: [anyinji@wtsensorus.com](mailto:anyinji@wtsensorus.com)