

PCM300Y(WTR03) Industrial Pressure/Level Transmitter



Features

- 316L stainless steel isolation diaphragm structure
- High precision, all stainless steel structure
- Micro amplifier, voltage and current signal output
- Diversified forms and structures, easy to install and use
- Wide range, can measure absolute pressure, gauge pressure and sealed gauge pressure
- Vibration and shock resistance

Application:

- Equipment supporting, pneumatic, hydraulic, energy saving, environmental protection and medical industry

Product overview

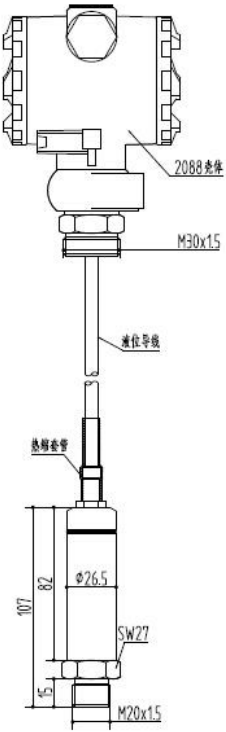
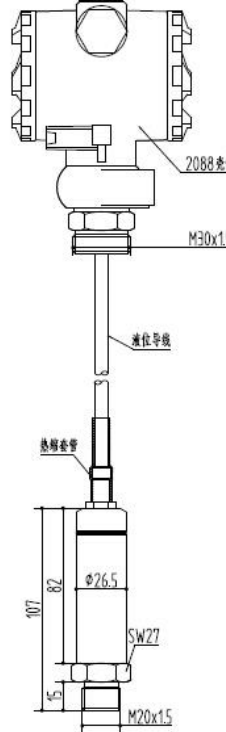
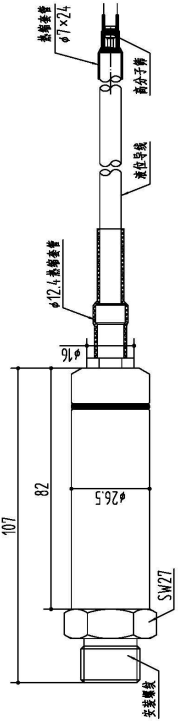
PCM300Y(WTR03) industrial pressure/level transmitter adopts diffused silicon pressure sensor as sensitive element. Through internal ASIC, the millivolt signal of sensor is transmitted into standard current signal. PCM300Y can be directly connected with computer interface card, control instruments, intelligent meters or PLC etc. Using high stability and high reliability piezoresistive pressure sensor and high performance transmitter dedicated circuit, the overall performance is stable and reliable, and it can carry out long-distance signal transmission.

PCM300Y can be directly put into the liquid to be tested for pipeline installation or drop-in installation with protection grade IP68. It is small in size, light in weight, easy to install, and convenient to use. It can be immersed in liquid for a long time and can be used in harsh outdoor scenes.

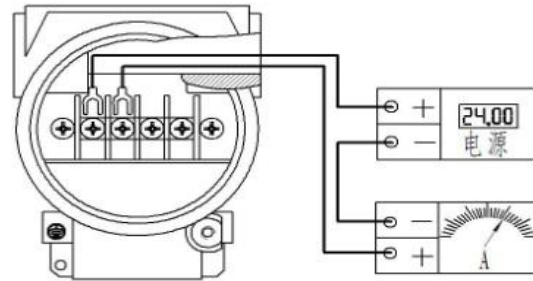
Performance parameters

Pressure range	10kPa~20kPa...100MPa
Pressure reference	Gauge pressure, Absolute pressure, Sealed gauge pressure
Output	4 to 20mA (18~36V) 4~20mA with display(12~36V)
Operating temp.	-20-85℃
Media temp.	-20-85℃
Storage temp.	-40-125℃
Zero temp.drift	±1.5%FS (@-20℃~85℃)
Sensitivity temp. drift	±1.5%FS (@-20℃~85℃)
Overload Pressure	150%FS
Vibration resistance	20g (20~5000Hz)
Shock resistance	100g (11ms)
Accuracy (linearity, repeatability and hysteresis)	0.5%F.S.
Insulation	200MΩ/250VDC
Response time	≤1ms (up to 90%FS)
Long-term Stability	±0.2%FS/year
Protection	IP68
Housing material	Stainless steel (SS316 for sensor inside)
Media compatible	Various media compatible with 316L stainless steel

Electrical connection and wiring mode

Connector code	J1: 2088 Housing	J1X: 2088 with display	J3:Cable
<p>Dimension In mm</p>			

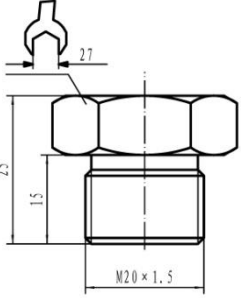
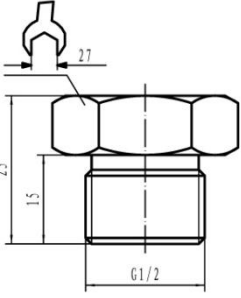
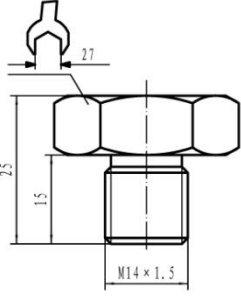
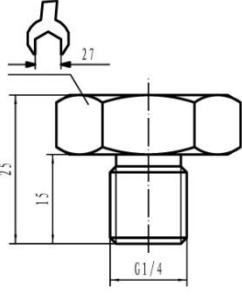
Wring mode
(Current
output)



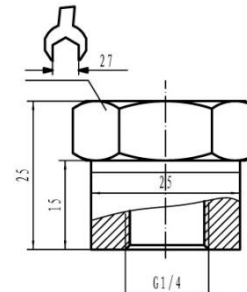
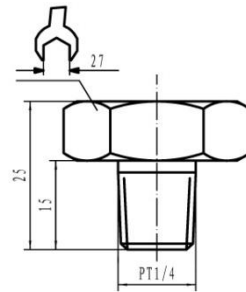
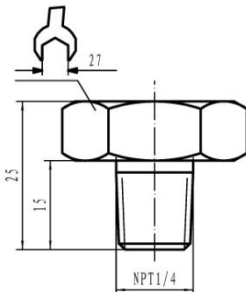
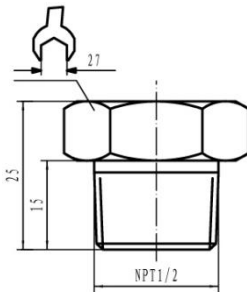
Current Output

Red wire: Power supply+
Green wire: Current output

Pressure connection

Thread Code	C1: M20×1.5	C2: G1/2	C3: M14×1.5	C4: G1/4
Dimension In mm				
Thread Code	C5: NPT1/2	C8: NPT1/4	C10: PT1/4	C20: G1/4Female

Dimension
In mm



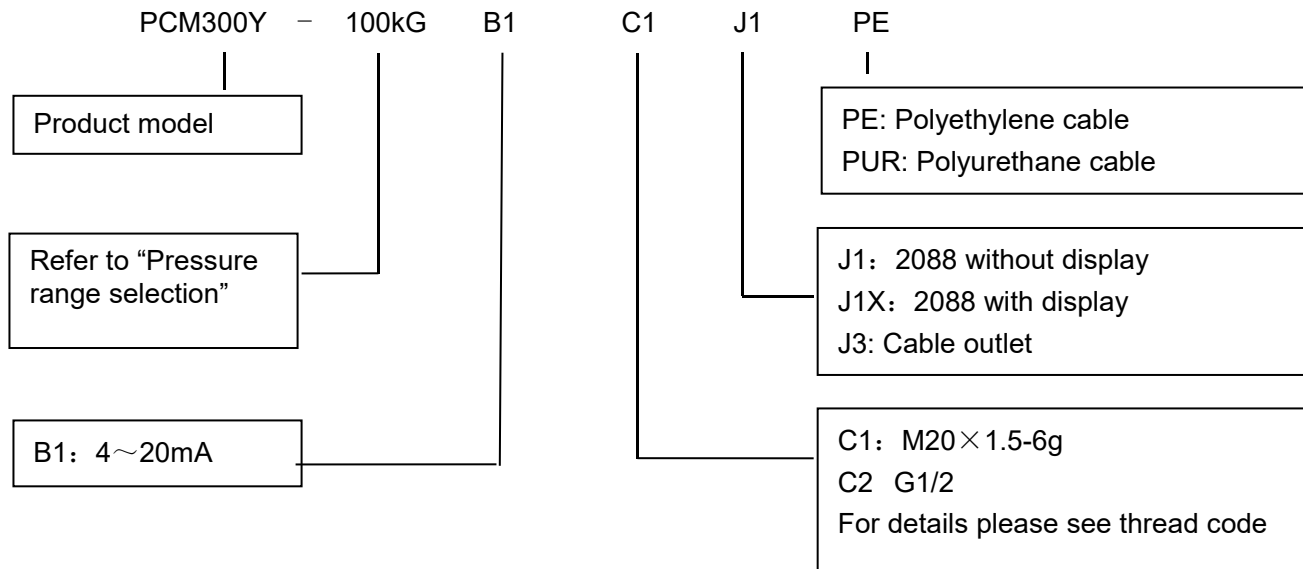
Pressure range selection

Pressure range code	Pressure reference	Pressure Range	Over pressure	Burst pressure	Notes
10kG	G	0~10kPa	150%FS	600%FS	
20kG	G	0~20kPa	150%FS	600%FS	
35kG	G	0~35kPa	150%FS	600%FS	
70kG	G	0~70kPa	150%FS	600%FS	
100kG	G	0~100kPa	150%FS	500%FS	
160kG	G	0~160kPa	150%FS	500%FS	
250kG	G	0~250kPa	150%FS	500%FS	
400kG	G	0~400kPa	150%FS	500%FS	
600kG	G	0~600kPa	150%FS	500%FS	
1MG	G	0~1MPa	150%FS	500%FS	
35kA	A	0~35kPa	150%FS	500%FS	
100kA	A	0~100kPa	150%FS	500%FS	
160kA	A	0~160kPa	150%FS	500%FS	
250kA	A	0~250kPa	150%FS	500%FS	
400kA	A	0~400kPa	150%FS	500%FS	
600kA	A	0~600kPa	150%FS	500%FS	
1.6MS	S	0~1.6MPa	150%FS	500%FS	

2.5MS	S	0~2.5MPa	150%FS	500%FS	
6MS	S	0~6MPa	150%FS	400%FS	
10MS	S	0~10MPa	150%FS	400%FS	
16MS	S	0~16MPa	150%FS	400%FS	
25MS	S	0~25MPa	150%FS	400%FS	
40MS	S	0~40MPa	150%FS	150%FS	
60MS	S	0~60MPa	150%FS	150%FS	
100MS	S	0~100MPa	150%FS	150%FS	

Note: G Gauge pressure 、 A Absolute pressure、 S Sealed gauge pressure

How to order



Example: PCM300Y-100kGB1C1J1PE

Refer to product model PCM300Y, pressure range 0-100kPa gauge pressure, output signal 4-20mA, pressure connection $M20 \times 1.5$, electrical connector 2088 housing without display, wiring mode polyethylene cable.

Wotian reserves the right to make any change in this publication without notice. The information provided is believed to be accurate and reliable as of this product sheet.

Contact us

Nanjing Wotian Technology Co., Ltd.

Add: 5 Wenying Road, Binjiang Development Zone, Nanjing, 211161, China

Sales Manager: Wuzhou Lian

MP: 0086-13998828452

Email: lianwuzhou@wtsensorus.com