

PCM400T High Temperature Pressure Transmitter

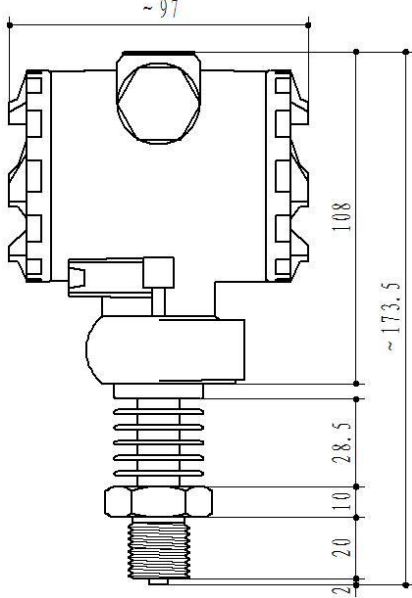
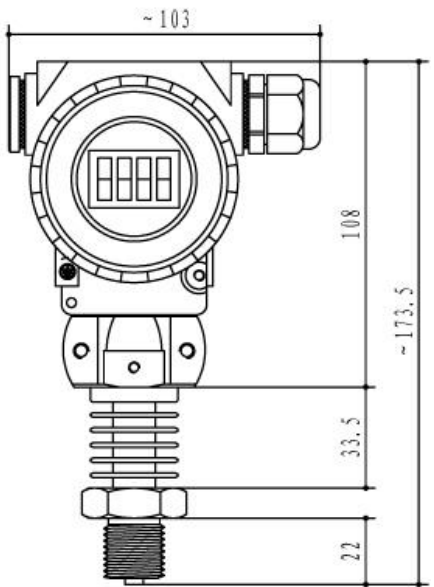
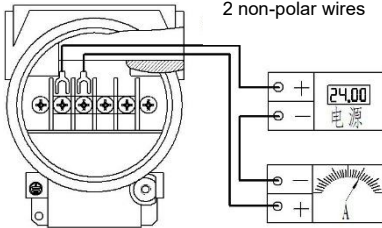
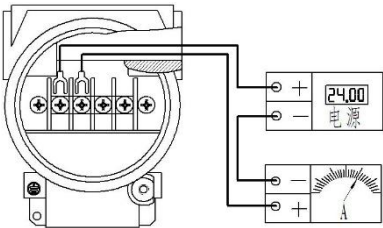
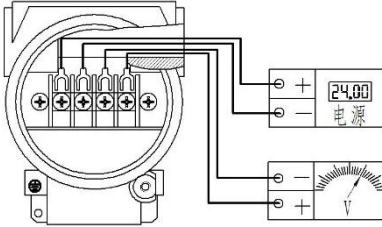


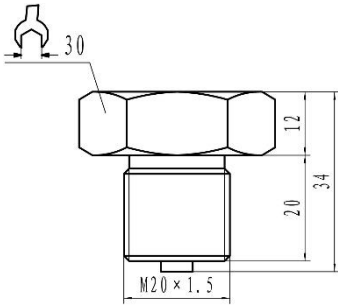
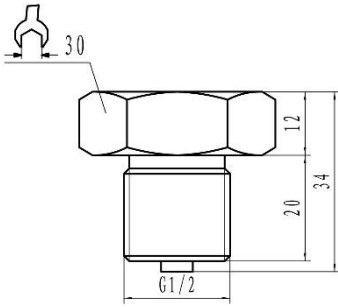
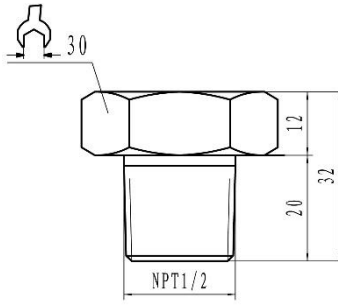
Features

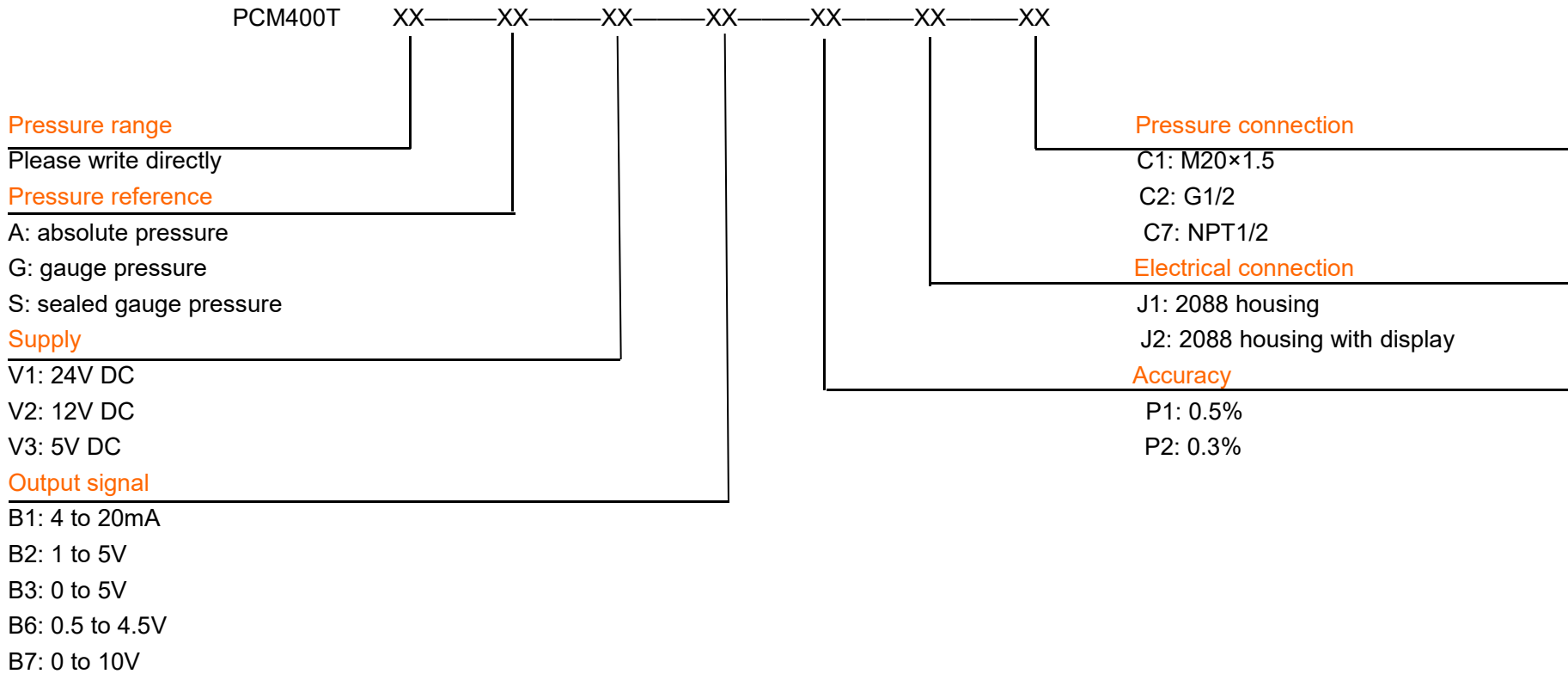
- High temperature resistant pressure chip employed
- Designed with heat exchange plate, high temperature resistant, applicable medium temperature up to 300 °C
- Solid well sealed aluminum alloy junction box employed, convenient for outdoor installation and use
- Low, medium and high pressure ranges provided
- LCD option
- Full welded structure for the sensor and pressure interface, shock resistant and vibration resistant
- Intrinsically safe explosion-proof option

PCM400T High Temperature Pressure Transmitter uses high temperature resistant pressure sensor as the signal measuring element. The pressure of measured medium is transmitted to the sensor through heat dissipation structure. The high precision signal processing circuit is located inside the stainless steel shell, converting the output signal to standard output signal. The product has passed rigorous tests and aging screening. The performance is stable and reliable. The product is widely applied in industrial field, food and medical equipment, power generation, machinery manufacturing, automobile manufacturing, shipbuilding, petrochemical, metallurgy, steam and heat exchange field.

Pressure range	
Pressure range	-100kPa, 10kPa, 35kPa, 70kPa, 100kPa, 250kPa, 400kPa, 600kPa, 1MPa, 1.6MPa, 2.5MPa, 4MPa, 6MPa, 10MPa, 16MPa, 25MPa, 40MPa, 60MPa, 100MPa
Pressure reference	Gauge pressure Absolute pressure Sealed gauge pressure
Overpressure	200%F.S.
Output signal	
Output	4 to 20mA 1 to 5V 0 to 5V 0.5 to 4.5V 0 to 10V
Specification	
Accuracy (linearity, repeatability and hysteresis)	±0.5%F.S. ±0.3%F.S.
Supply	24VDC 12VDC 5VDC
Operating temp.	-20°C - 85°C
Storage temp.	-40°C - 300°C
Zero temp. coefficient	±1.5%F.S.max.(@-20°C - 85° C)
Span temp. coefficient	±1.5%F.S.max.(@-20°C - 85° C)
Pressure connection	See "how to order"
Mechanical vibration	20g (20 to 5000Hz)
Shock	100g(11ms)
Insulation	100MΩ/250VDC
Response time	≤1ms (up to 90%FS)
Long term stability	≤0.2%F.S.S./year
Protection	IP65
Material	Low copper aluminum alloy for shell, 316L for isolation diaphragm
Medium compatibility	All kinds of media compatible with 316L stainless steel

Type	J1: 2088 housing	J2: 2088 housing with display
<p>Dimension in mm</p>		
<p>Connection mode (current output)</p>	 <p>2 non-polar wires</p>	
<p>Connection mode (voltage output)</p>		<p>—</p>

Thread	C1: M20×1.5	C2: G1/2	C7: NPT1/2
Dimension in mm			



Wotian reserves the right to make any change in this publication without notice. The information provided is believed to be accurate and reliable as of this product sheet.



Contact us

Nanjing Wotian Technology Co.,Ltd.

Website: www.wtsensor.com

Add: 5 Wenyong Road, Binjiang Development Zone, Nanjing, 211161, China

Sales Manager: Wuzhou Lian

Email: lianwuzhou@wtsensor.com