

## PCM268(WTL02) Small Diameter Level Transmitter



- Piezoresistive silicon chip employed
- MEMS technology
- Cable ventilated
- Excellent long term stability
- CE certificate

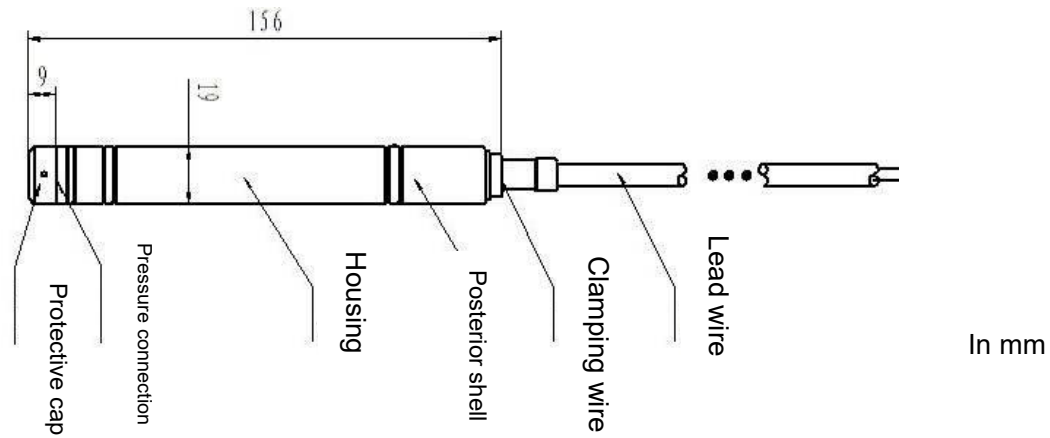
PCM268(WTL02) level transmitter is a standard and economic transmitter applied in liquid level measuring. A high sensitivity piezoresistive silicon pressure chip is employed in the transmitter.

### Typical Application

Depth and level measurement in

- Wells
- Reservoirs
- Lakes
- Rivers
- Sewage treatment plant
- Water tank
- Ground water monitoring
- Surface water monitoring

Pressure range	
Pressure range	1m, 2m, 5m, 10m, 20m H <sub>2</sub> O
Output signal	
Output	4 to 20mA
Specification	
Accuracy (linearity, repeatability and hysteresis)	±0.5%F.S.(Typical)
Overpressure	150%F.S.
Supply	24VDC
Operating temp.	-20°C - 85°C
Medium temp.	-20°C - 85°C
Storage temp.	-40°C - 125°C
Compensated temp.	0°C - 60°C (0m - 10m H <sub>2</sub> O)   -10°C - 70°C (10m - 20m H <sub>2</sub> O)
Zero temp. coefficient	±1.5%F.S. (0°C - 85°C)
Span temp. coefficient	±1.5%F.S. (0°C - 85°C)
Long term stability	<0.2%F.S./year
Protection	IP68
Probe housing material	Stainless steel 316L
Sensor material	Stainless steel 316L
Housing diameter	φ19mm

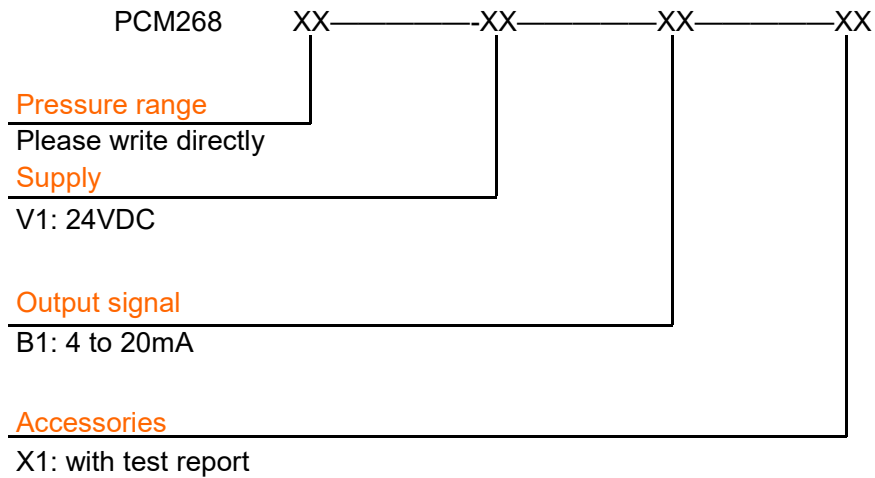


Current (2 wire)

Wire	Connection
Red	Excitation+
Green	Output+

Voltage (3 wire)

Wire	Connection
Red	Excitation+
Blue	Excitation-
Yellow	Output+



Wotian reserves the right to make any change to the product in this publication without notice. The information provided is believed to be accurate and reliable as of this product sheet.

### Contact us

Nanjing Wotian Technology Co.,Ltd.

website: [www.wtsensor.com](http://www.wtsensor.com)

Add: 5 Wenyong Road, Binjiang Development Zone, Nanjing, 211161, China

Sales Manager: Wuzhou Lian

Email: [lianwuzhou@wtsensor.com](mailto:lianwuzhou@wtsensor.com)