

PCT100 Temperature Sensor

Features

- Easy to install
- High pressure resistance
- Integrated structure
- Good long-term stability
- Fast response
- Reliable structure

Applications

- Equipment supporting
- Automatic temperature measurement and control systems for pumps, compressors, natural gas pipeline networks, etc.
- Temperature measurement of water or oil in the fields of petroleum, chemical industry, electric power, textile, environmental protection, etc.

Notes:

- 1 When measuring temperature, the measuring element must reach thermal equilibrium with the measured medium.
- 2 The insertion depth must be accurate.
- 3 Please read the Instruction Manual of the product carefully before installation and check the relevant information of the product.
- 4 Strictly follow the wiring method for wiring, otherwise it may cause product damage or other potential faults.
- 5 Misuse of the product may cause danger or personal injury.



Product overview

PCT100 temperature sensor measures medium temperature by using the feature that platinum resistance changes with temperature and shows a certain functional relationship. The sensor uses high-performance, highly reliable imported platinum resistance, which can work stably for a long time.

The product shell adopts all-stainless steel integrated processing, which has the characteristics of small size and fast thermal response. The wire is a special shielded wire, which can work in a wide temperature range. The product is easy to install and has extremely high vibration and impact resistance.

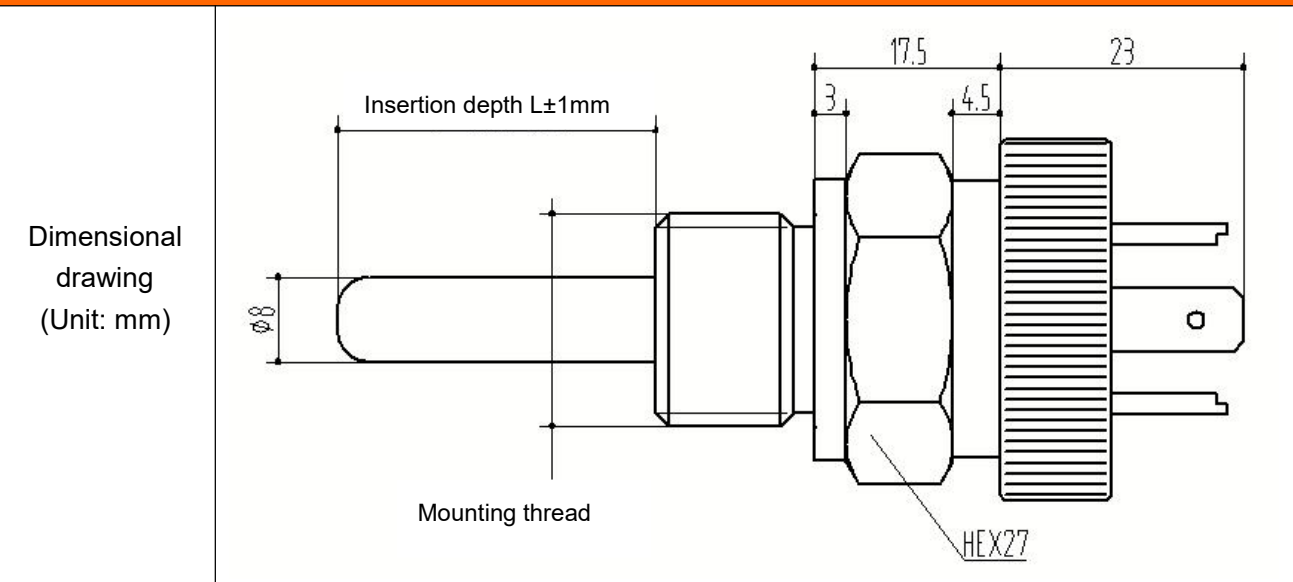
Notes:

- 1 Do not misuse documentation.
- 2 The information presented in this product sheet is for reference only. Do not use this document as a product installation guide.
- 3 Complete installation, operation, and maintenance information is provided in the instructions of the product.
- 4 Misuse of the product may cause danger or personal injury.

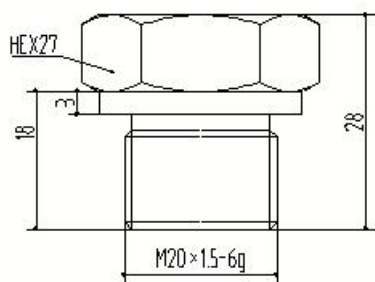
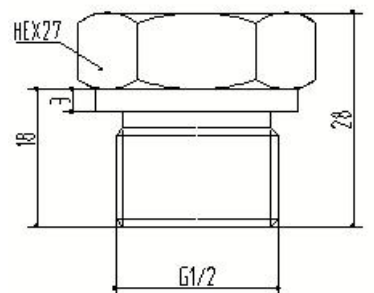
Performance parameters

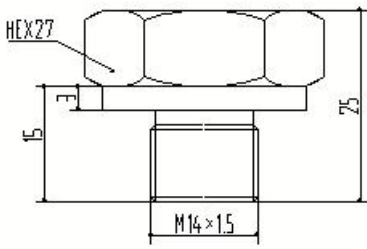
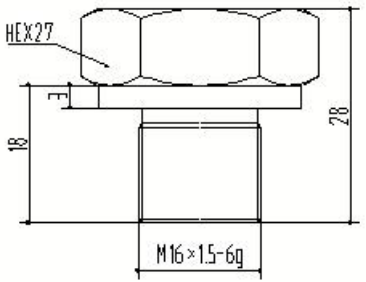
| | |
|-----------------------|---------------------|
| Temperature range | -50°C ~ 150°C (Max) |
| Graduation | Pt100 Grade A |
| | Pt1000 Grade A |
| Insulation resistance | 100MΩ/250VDC |
| Response time | ≤30s |
| Long term stability | ≤0.2%FS/Year |
| Rod diameter | Φ8mm |
| Storage temp. | -40°C ~ 85°C |
| Electrical connection | Cable |
| Protection | IP65 |
| Material | 304 |
| Max mounting torque | 25Nm |

Structure and dimensions



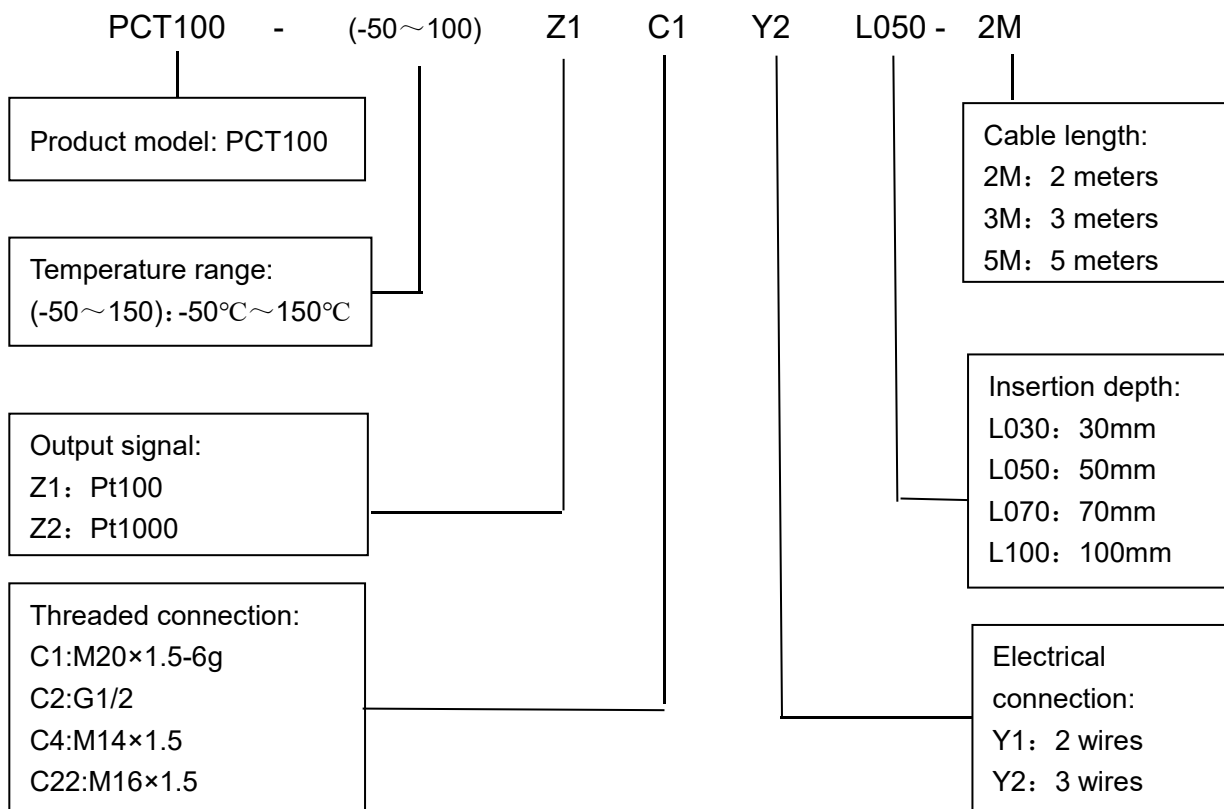
Threaded connection

| Thread code | C1: M20×1.5-6g | C2: G1/2 |
|--------------------------------|---|--|
| Dimensional drawing (Unit: mm) |  |  |
| Recommended torque | 15~25Nm | 15~25Nm |

| Thread code | C4: M14×1.5 | C22: M16×1.5-6g |
|-----------------------------------|---|--|
| Dimensional drawing (Unit: mm) |  |  |
| Recommended torque | 15~25Nm | 15~25Nm |

Note: Torque depends on all kinds of factors, such as gasket material, kitting material, thread lubrication and pressure.

How to order



Example: PCT100-(-50~150)Z1C1Y2L050-2M

Refer to product model PCT100, temperature range -50°C~100°C, sensing element Pt100 grade A, threaded connection M20×1.5-6g, electrical connection 3 wires, insertion depth 50mm and cable length 2M.



Ordering tips

1. Please ensure the compatibility between the measured medium and the contacting part of the product when placing an order.
2. For special requirements on performance parameters and appearance of the product, please contact us for customization.

Wotian reserves the right to make any change in this publication without notice. The information provided is believed to be accurate and reliable as of this product sheet.

Contact us

Nanjing Wotian Technology Co.,Ltd.

website: www.wtsensor.com

Add: 5 Wenying Road, Binjiang Development Zone, Nanjing, 211161, China

Sales Manager: Wuzhou Lian

Email: lianwuzhou@wtsensorus.com