

PCT202 Temperature Transmitter With Movable Connector

Features

- Movable connector, easy to install
- High strength, high pressure resistance
- Integrated structure
- Long-term stable work
- Fast response
- Reliable structure

Applications

- Equipment support
- Automatic temperature measurement and control systems such as pumps, compressors, natural gas pipelines, etc.
- Temperature measurement of water or oil in petroleum, chemical, electric power, textile, and environmental protection fields, etc.

Notes:

- 1 When measuring temperature, the temperature measuring element should reach thermal equilibrium with the measured object.
- 2 Make sure the insertion length is accurate.
- 3 Please read the Instruction Manual of the product carefully before installation and check the relevant information of the product.
- 4 Strictly follow the wiring method for wiring, otherwise it may cause product damage or other potential faults.
- 5 Misuse of the product may cause danger or personal injury.



Product overview

PCT202 Integrated Temperature Transmitter measures medium temperature by using the characteristics of platinum resistance, which changes with temperature change in a certain functional relationship. The product consists of a temperature sensor and a conversion circuit. It has advantages of stable performance, high sensitivity, and high reliability.

PCT202 adopts all-welded movable thread structure, which is easy to install. It is widely used in automatic temperature measurement and control systems for petroleum machinery, chemical machinery, pumps and compressors, electric power, boilers, and natural gas, etc.

Notes:

- 1 Do not misuse documentation.
- 2 The information presented in this product sheet is for reference only. Do not use this document as a product installation guide.
- 3 Complete installation, operation, and maintenance information is provided in the instructions of the product.
- 4 Misuse of the product may cause danger or personal injury.

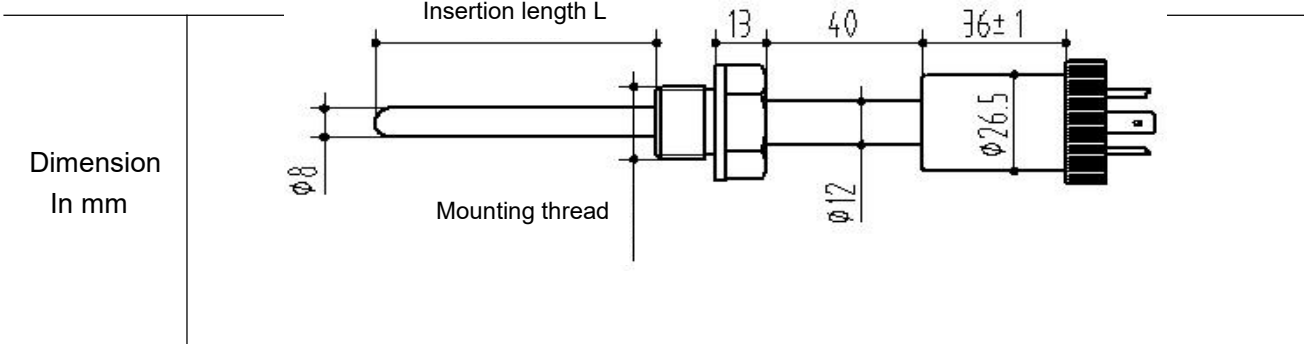
Performance parameters

Temperature range	-50℃~250℃
Supply & output	4~20mA(16~36VDC)
Accuracy	±0.5%FS(typ.)
Sensing element	Pt100 Grade A

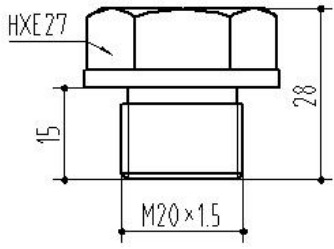
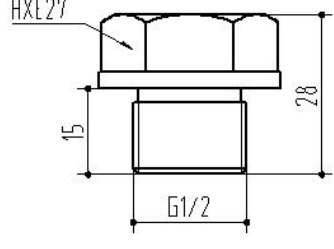
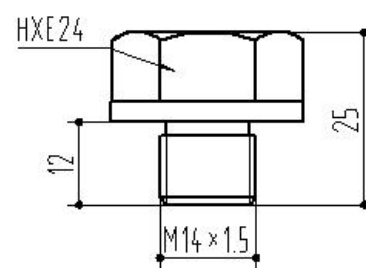
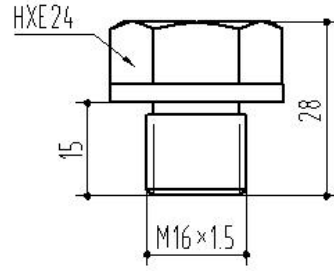
Performance parameters (cont.)

Insulation strength	100MΩ/250VDC
Response time	≤30s
Long term stability	≤0.2%FS/year
Insertion diameter	Φ8mm
Storage temp.	-40℃~85℃
Electrical connection	DIN43650, DIN43650 with cable
Protection	IP65
Material	304
Max. mounting torque	25Nm

Structure



Pressure port

Thread code	C1: M20×1.5-6g	C2: G1/2
Dimension In mm		
Recommended torque	15~25Nm	15~25Nm
Thread code	C4: M14×1.5	C22: M16×1.5
Dimension In mm		
Recommended torque	15~25Nm	15~25Nm

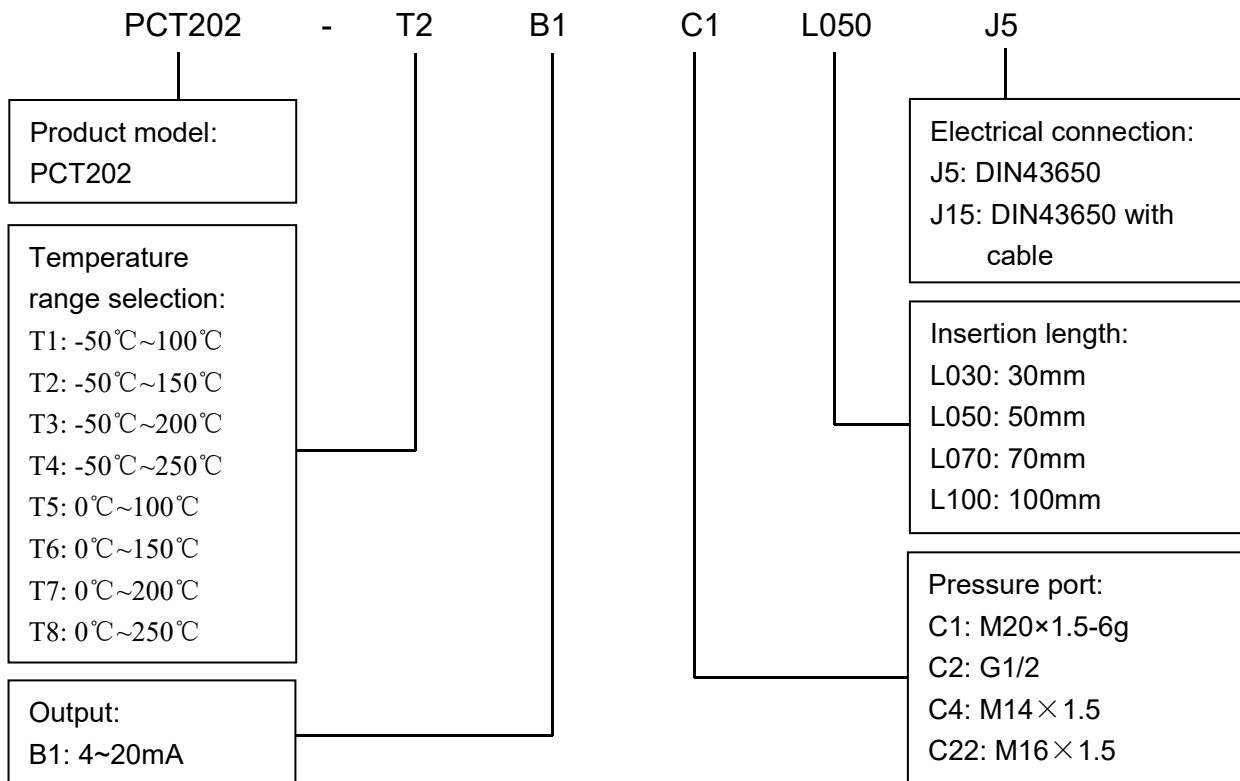
Note: Torque depends on various factors such as material of gasket, supporting materials, lubrication of thread and pressure.

Temperature range selection

Temperature range code	Temperature range	Remark
T1	-50°C~100°C	
T2	-50°C~150°C	
T3	-50°C~200°C	
T4	-50°C~250°C	
T5	0°C~100°C	
T6	0°C~150°C	
T7	0°C~200°C	
T8	0°C~250°C	

Accessory

Name	Appearance	Description	Part number
DIN43650 connector		OMAL	100040301013
DIN43650 connector with wire		OMAL 1.5m	100040301018
LCD display		LCD12	100040100008



Example: PCT202-T2B1C1L050J5

Refer to product model PCT202, with temperature range -50°C~150°C, supply 16~36VDC, output signal 4~20mA, pressure port M20×1.5-6g, insertion length 50mm, and electrical connection DIN43650.

Ordering tips:

- (1) Ensure compatibility between measured media and contacting part of product.
- (2) For special requirements on the product appearance and performance parameters, customization is available.

Wotian reserves the right to make any change in this publication without notice. The information provided is believed to be accurate and reliable as of this product sheet.

Contact us

Nanjing Wotian Technology Co.,Ltd.

website: www.wtsensor.com

Add: 5 Wenyong Road, Binjiang Development Zone, Nanjing, 211161, China

Sales Manager: Wuzhou Lian

Email: lianwuzhou@wtsensor.com