

PCT110 Temperature Sensor

Features

- Long-term stable work
- Fast response
- Easy installation
- High protection grade
- Reliable structure

Applications

- Equipment support
- Automatic temperature measurement and control systems such as pumps, compressors, natural gas pipelines, etc.
- Temperature measurement of water or oil in petroleum, chemical, electric power, textile, and environmental protection fields, etc.

Notes:

- 1 When measuring temperature, the temperature measuring element should reach thermal equilibrium with the measured object.
- 2 Make sure the insertion length is accurate.
- 3 Please read the Instruction Manual of the product carefully before installation and check the relevant information of the product.
- 4 Strictly follow the wiring method for wiring, otherwise it may cause product damage or other potential faults.
- 5 Misuse of the product may cause danger or personal injury.



Product overview

PCT110 Temperature Sensor measures medium temperature by using the characteristics of platinum resistance, which changes with temperature change in a certain functional relationship. The sensor adopts the imported platinum resistance with high performance and high reliability, and It can work stably in a long term.

Notes:

- 1 Do not misuse documentation.
- 2 The information presented in this product sheet is for reference only. Do not use this document as a product installation guide.
- 3 Complete installation, operation, and maintenance information is provided in the instructions of the product.
- 4 Misuse of the product may cause danger or personal injury.

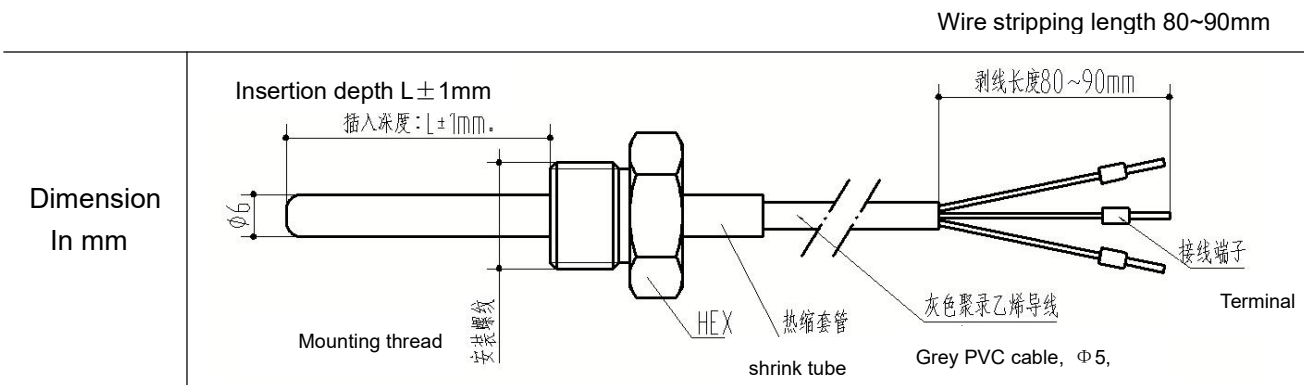
Performance parameters

Temperature range	-50℃~150℃
Sensing element	Pt100 Grade A, Pt1000 Grade A
Insulation strength	100MΩ/250VDC
Response time	≤30s

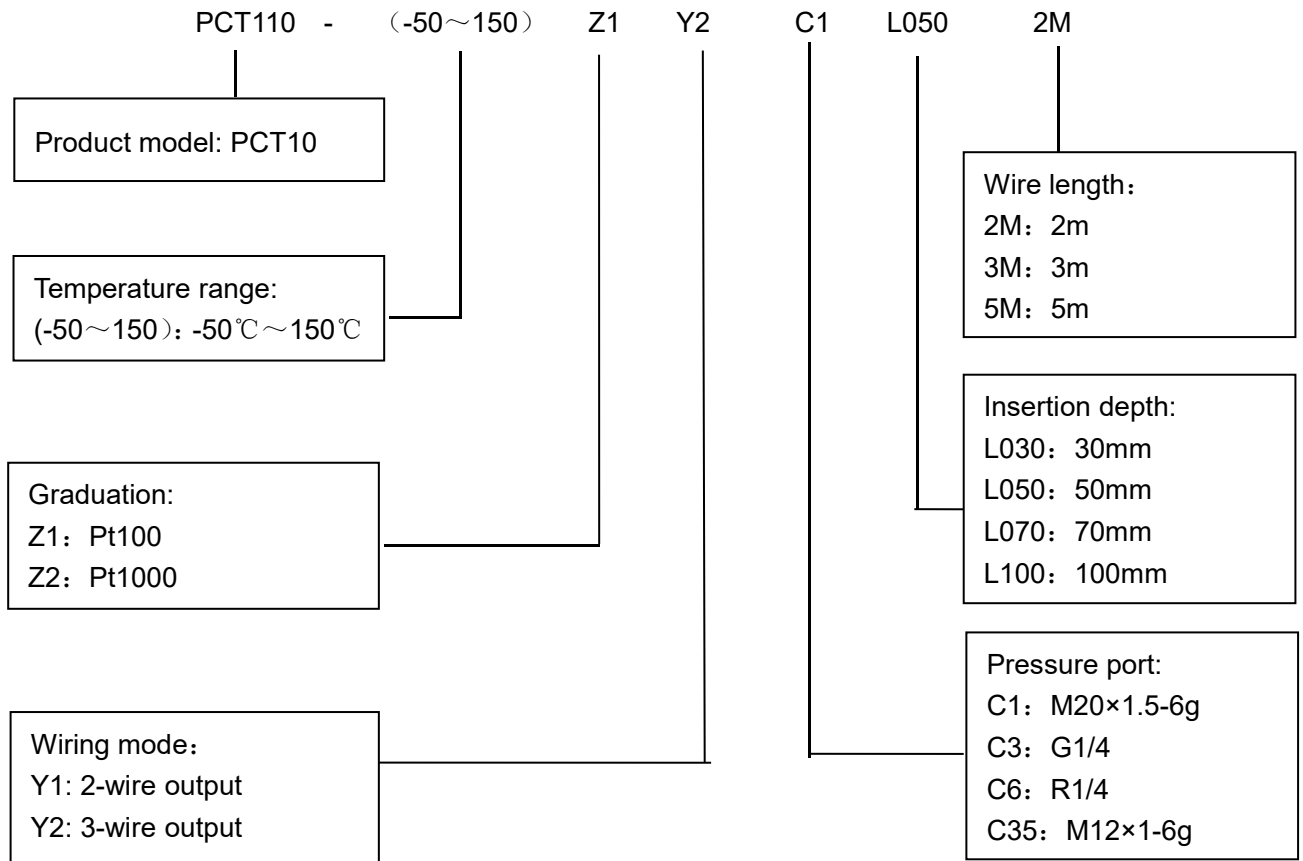
Performance parameters

Long term stability	≤0.2%FS/year
Insertion diameter	Φ6mm
Storage temp.	-40℃~85℃
Electrical connection	Cable outlet
Protection	IP67
Thread length	12mm
Probe material	304

Structure



How to order





Example: CT110-(-50~150)Z1Y2C1L050-2M

Refer to product model PCT110, with temperature range -50°C~150°C, Graduation Pt100 Grade A, Wiring mode: 3-wire output, pressure port M20×1.5-6g, insertion length 50mm, and wire length 2m.

Ordering tips:

- (1) Ensure compatibility between measured media and contacting part of product.
- (2) For special requirements on the product appearance and performance parameters, customization is available.

Wotian reserves the right to make any change in this publication without notice. The information provided is believed to be accurate and reliable as of this product sheet.

Contact us

Nanjing Wotian Technology Co.,Ltd.

website: www.wtsensor.com

Add: 5 Wenyong Road, Binjiang Development Zone, Nanjing, 211161, China

Sales Manager: Wuzhou Lian

Email: lianwuzhou@wtsensor.com