

PCT401 Explosion-proof Temperature Transmitter

Features

- Anti-vibration
- High strength
- Integrated structure
- Long-term stable work
- Fast response
- Easy to install

Applications and industries

- Equipment supporting
- Temperature measurement for pumps and compressors, natural gas pipeline networks and other automatic measurement and control systems
- Temperature measurement for water or oil in the fields of petroleum, chemical industry, electric power, light textile, environmental protection, etc.

Notes:

- 1 During the temperature measurement, the temperature measurement component should reach thermal equilibrium with the object under test.
- 2 The insertion depth should be accurate.
- 3 Please read the Instruction Manual of the product carefully before installation and check the relevant information of the product.
- 4 Strictly follow the wiring method for wiring, otherwise it may cause product damage or other potential faults.
- 5 Misuse of the product may cause danger or personal injury.



Product overview

PCT401 Explosion-proof Temperature Transmitter measures the temperature of the measured medium by using the feature that the platinum resistance value varies with temperature and shows a certain functional relationship. This product adopts the high-precision thermoelectric couple and thermal resistance as the detecting elements, uses the high stability circuit for the signal processing, realizes the continuous measurement for the temperature, outputs the industrial control standard signal, and can realize the functions such as display, remote transmission etc. at the same time.

The temperature measurement part of the product adopts all stainless steel integration processing technology, and the connecting box adopts explosion-proof housing; the product has the features of strong shock resistance, quick thermal response etc.; the wire adopts the special shielded cable, with wide usage temperature range; this product is easy to install, and applicable to be used in all kinds of automatic control systems for temperature measurement.

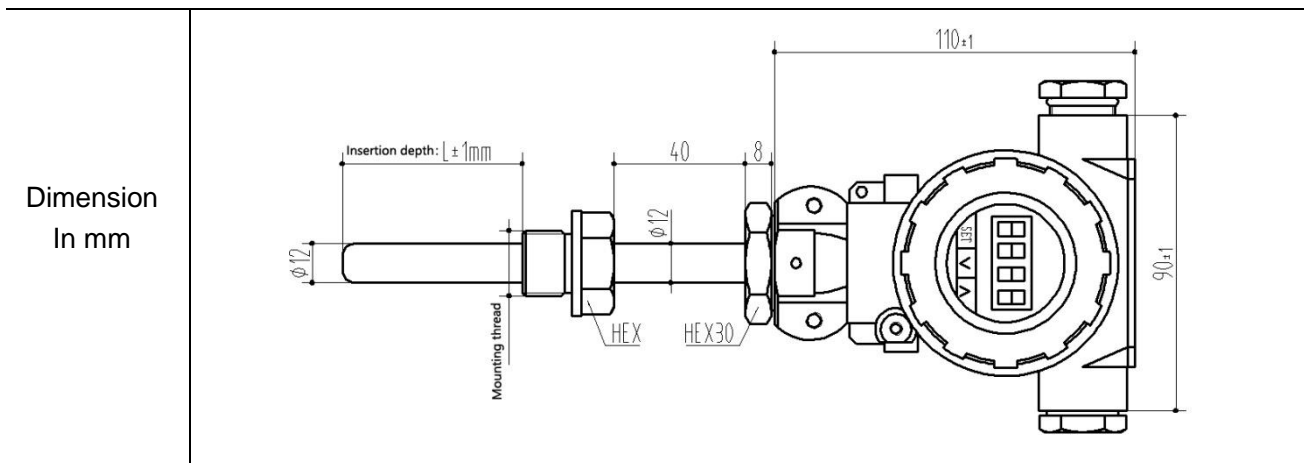
Notes:

- 1 Do not misuse documentation.
- 2 The information presented in this product sheet is for reference only. Do not use this document as a product installation guide.
- 3 Complete installation, operation, and maintenance information is provided in the instructions of the product.
- 4 Misuse of the product may cause danger or personal injury.

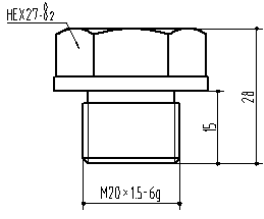
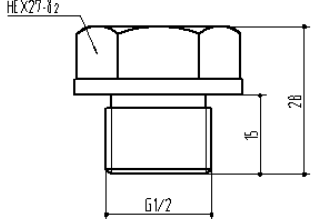
Performance parameters

Pressure range	-50℃～250℃
Supply & output	4～20mA(16～36VDC), 4～20mA+HART protocol (16～36VDC)
Accuracy	±0.5%FS
Sensitive element	Pt100 Grade A
Insulation strength	100MΩ/250VDC
Response time	≤30s
Long-term stability	≤0.2%FS/year
Placement diameter	Φ12mm
Storage temp.	-40℃～85℃
Electrical connection	2088 housing
Protection grade	IP65
Probe material	304
Maximum mounting torque	25Nm
Ex-proof grade	Exd II BT6 Gb

Appearance structure



Pressure connection


Thread code	C1: M20×1.5-6g	C2: G1/2
Dimension In mm		
Recommended torque	15～25Nm	15～25Nm

Note: The torque depends on all kinds of factors, such as gasket material, kitting material, thread lubrication and pressure.

Pressure range selection

Pressure range code	Pressure range	Note
(-50~100)	-50℃~100℃	
(-50~150)	-50℃~150℃	
(-50~200)	-50℃~200℃	
(-50~250)	-50℃~250℃	
(0~100)	0℃~100℃	
(0~150)	0℃~150℃	
(0~200)	0℃~200℃	
(0~250)	0℃~250℃	

Accessory

Name	Appearance	Description	Material No.
Cable		RVVP 3x0.2 grey	100050000000

How to order

PCT401 - (-50~100) B1 C1 L050 J12

Product model: PCT401

Pressure range selection:
 (-50~100): -50℃~100℃
 (-50~150): -50℃~150℃
 (-50~200): -50℃~200℃
 (-50~250): -50℃~250℃
 (0~100): 0℃~100℃
 (0~150): 0℃~150℃
 (0~200): 0℃~200℃
 (0~250): 0℃~250℃

Output:
 B1: 4~20mA
 B4: 4~20mA+HART

Electrical connection:
 J12: Explosion-proof housing
 J12X: Explosion-proof housing with display

Insertion depth:
 L030: 30mm
 L050: 50mm
 L070: 70mm
 L100: 100mm

Pressure connection:
 C1: M20x1.5-6g
 C2: G1/2



Example: PCT401-(-50~150)B1C1L050J12X

Refer to product model PCT401, temperature range $-50^{\circ}\text{C} \sim 150^{\circ}\text{C}$, power supply $16 \sim 36\text{VDC}$, output signal $4 \sim 20\text{mA}$, pressure connection $\text{M}20 \times 1.5\text{-}6\text{g}$, insertion depth 50mm, electrical connection explosion-proof housing with display.

Ordering tips

- (1) Please ensure the compatibility between the measured medium and the contacting part of the product when placing an order.
- (2) If there are special requirements for the product appearance or performance parameter, our company can provide customization.

Wotian reserves the right to make any change in this publication without notice. The information provided is believed to be accurate and reliable as of this product sheet.

Contact us

Nanjing Wotian Technology Co., Ltd.

Add: 5 Wenyong Road, Binjiang Development Zone, Nanjing, 211161, China

Sales Manager: Wuzhou Lian

MP: 0086-13998828452

Email: lianwuzhou@wtsensorus.com