

PCM580 Digital Pressure Gauge

Features

- 4 digits LCD showing pressure accurately in real time, easy for observation
- Various pressure units, zero clearing, backlight, on/off functions
- Battery powered, low-power design, keeping working for 12 months
- High-precision pressure sensor adopted

Application

- Machinery and electronics
- Supporting equipment of instruments
- Pressure laboratory
- Mechanical engineering automation

Notes:

- 1 Do not touch the diaphragm with hard objects, which may cause damage to the diaphragm.
- 2 Please read the Instruction Manual of the product carefully before installation and check the relevant information of the product.
- 3 Strictly follow the wiring method for wiring, otherwise it may cause product damage or other potential faults.
- 4 Misuse of the product may cause danger or personal injury.



Overview

PCM580 is a high-precision intelligent digital pressure gauge. It has a high-precision sensor and displays pressure accurately in real time. It has advantages of high precision and good long term stability.

PCM580 is equipped with a large size LCD, featuring with functions of zero clearing, backlight, on/off button, units switching and low pressure alarm. It is convenient to install and easy to operate.

The housing and connector of PCM580 are made of stainless steel 304 with excellent vibration resistance. It can be used to measure gas, liquid, oil and other non-corrosive medium of stainless steel.

PCM580 is applicable to portable pressure measurement and equipment supporting and calibration fields.

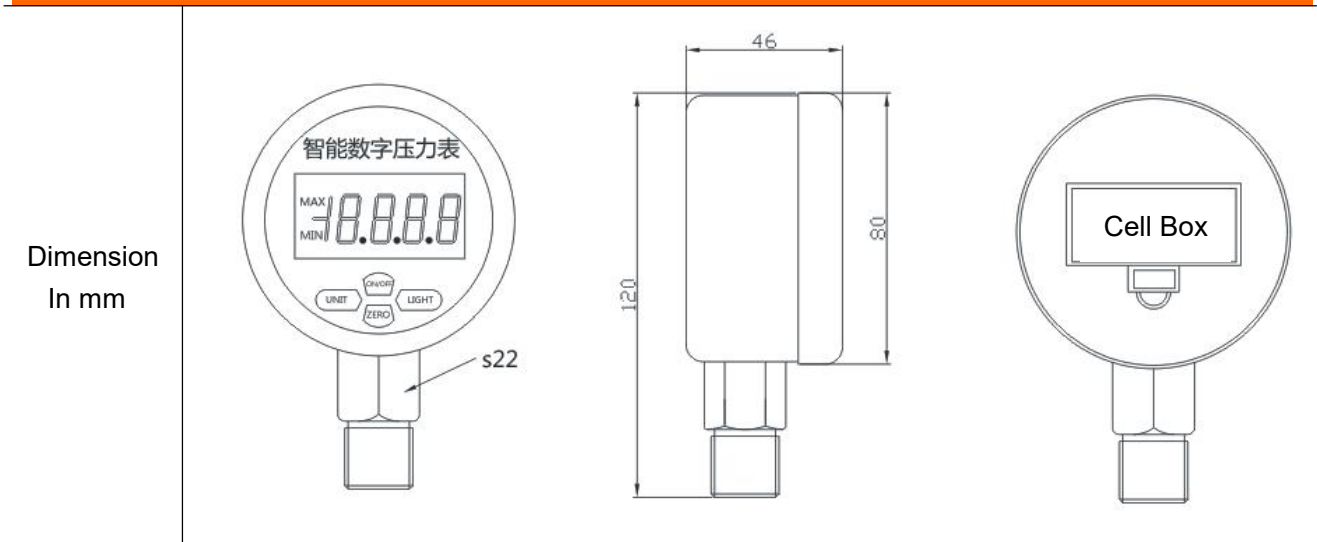
Notes:

- 1 Do not misuse documentation.
- 2 The information presented in this product sheet is for reference only. Do not use this document as a product installation guide.
- 3 Complete installation, operation, and maintenance information is provided in the instructions of the product.
- 4 Misuse of the product may cause danger or personal injury.

Performance parameters

Pressure range	-100kPa...0~10kPa...100MPa
Pressure reference	Gauge pressure, Absolute pressure, Sealed gauge pressure
Accuracy	0.5%FS
Backlight color	Blue
Operating temp.	-10~70°C
Compensated temp.	0~60°C
Electric protection	Anti electromagnetic interference design
Sampling frequency	5/sec
Overpressure	150%FS
Long term stability	±0.2%FS/year (typical)
Supply battery	2 Triple A batteries
Material	Stainless steel for shell, 316L for isolation diaphragm
Medium compatibility	All media compatible with stainless steel 316

Structure & dimensions



Pressure port

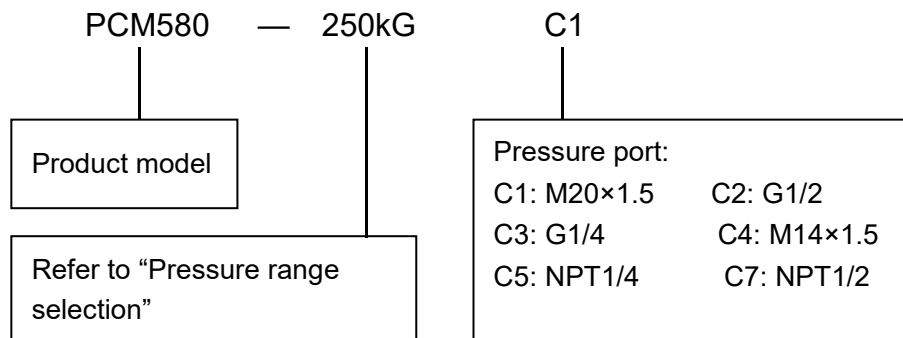
Type	C1: M20×1.5	C3: G1/4	C7: NPT1/2
Dimension In mm			

Note: Common threads are M20×1.5, G1/4, G1/2, M14×1.5, NPT1/4 and NPT1/2. Special threads can be customized for batch order.

Pressure range selection

Pressure range code	Pressure reference	Pressure range	Overpressure	Burst pressure	Remark
N1k	G	-100kPa~0	200%FS	400%FS	
NP100k	G	±100kPa	200%FS	500%FS	
N4k	G	-100~160kPa	200%FS	500%FS	
N5k	G	-100~250kPa	200%FS	500%FS	
N6k	G	-100~400kPa	200%FS	500%FS	
N7k	G	-100~600kPa	200%FS	500%FS	
N8M	G	-0.1~1MPa	200%FS	500%FS	
N9M	G	-0.1~1.6MPa	200%FS	500%FS	
5kG	G	5kPa	200%FS	500%FS	
10kG	G	10kPa	300%FS	600%FS	
16kG	G	16kPa	300%FS	600%FS	
25kG	G	25kPa	300%FS	600%FS	
40kG	G	40kPa	300%FS	600%FS	
60kG	G	60kPa	300%FS	600%FS	
100kG	G	100kPa	200%FS	500%FS	
160kG	G	160kPa	200%FS	500%FS	
250kG	G	250kPa	200%FS	500%FS	
400kG	G	400kPa	200%FS	500%FS	
600kG	G	600kPa	200%FS	500%FS	
1MG	G	1MPa	200%FS	500%FS	
1.6MS	S	1.6MPa	200%FS	500%FS	
2.5MS	S	2.5MPa	200%FS	500%FS	
4MS	S	4MPa	200%FS	400%FS	
6MS	S	6MPa	200%FS	400%FS	
10MS	S	10MPa	200%FS	400%FS	
16MS	S	16MPa	200%FS	400%FS	
25MS	S	25MPa	150%FS	300%FS	
40MS	S	40MPa	150%FS	300%FS	
60MS	S	60MPa	150%FS	300%FS	
100MS	S	100MPa	150%FS	300%FS	

Note: G stands for gauge pressure, S, sealed gauge pressure.



Example: PCM580-250kGC1

Refer to product model PCM580, with pressure range 0~250kPa, gauge pressure, and pressure port M20×1.5.

Wotian reserves the right to make any change in this publication without notice. The information provided is believed to be accurate and reliable as of this product sheet.

Contact us

Nanjing Wotian Technology Co.,Ltd.

Website: www.wtsensor.com

Add: 5 Wenyong Road, Binjiang Development Zone, Nanjing, 211161, China

Sales Manager: Wuzhou Lian

Email: wuzhou@wtsensor.net