

# PCT710 Intelligent Temperature Switch

## Features

- High precision
- Adjustable response time
- NPN, PNP compatible, free switching
- Button operation, shortcut button for one-click zero calibration, fast unit switching
- OLED shows the current temperature
- LED for mode action, easy to observe

## Applications and industries

- Hydropower
- Chemical industry
- City water supply
- Scientific research
- Accurate measurement and control of temperature

### Notes:

- 1 Do not touch the diaphragm with hard objects, which may cause damage to the diaphragm.
- 2 Please read the Instruction Manual of the product carefully before installation and check the relevant information of the product.
- 3 Strictly follow the wiring method for wiring, otherwise it may cause product damage or other potential faults.
- 4 Misuse of the product may cause danger or personal injury.



## Product overview

The electronic digital display temperature switch is an intelligent digital display temperature measurement & control product which integrates temperature measurement, display, output and control. This product is in full-electronic structure. The PT100 high precision temperature sensor is adopted in the front end. The output signal is processed by the pre-amplification electric circuit, and then sent into high precision A/D converter. Through arithmetic processing by means of the advanced industrial grade microprocessor, the output signal is displayed on site with 2-way switch quantity, accomplishing the measurement and control for the control system temperature.

This intelligent digital temperature switch has advantages of flexible use, simple operation, easy commissioning and high safety and reliability. It is widely used in hydropower, tap water, petroleum, chemical, mechanical, hydraulic and other industries for the measurement, display and control of the medium temperature.

### Notes:

- 1 Do not misuse documentation.
- 2 The information presented in this product sheet is for reference only. Do not use this document as a product installation guide.
- 3 Complete installation, operation, and maintenance information is provided in the instructions of the product.
- 4 Misuse of the product may cause danger or personal injury.

### Performance parameters

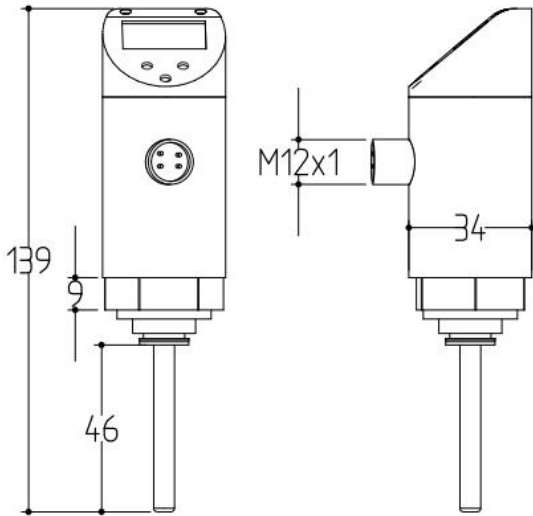
Measurement range	-50℃～200℃ (-58℉～392℉)
Accuracy	±1.0℃ (±2℉)
Display unit	℃/℉
Electrical connector	M12×1 round pins
Power supply	12～30V, 24V recommended
Display mode	OLED display of 4 digits
Output mode	2-way switch quantity, NPN and PNP compatible + 4～20mA
Load capacity	≤24V1.2A
Power consumption	≤15mA
Medium temp.	-50℃～200℃
Operating temp.	-25℃～80℃
Storage temp.	-40℃～100℃
Response time	≤20ms
Insulation	100MΩ/250VDC
Protection grade	IP65

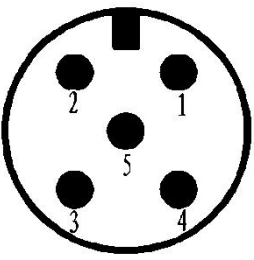
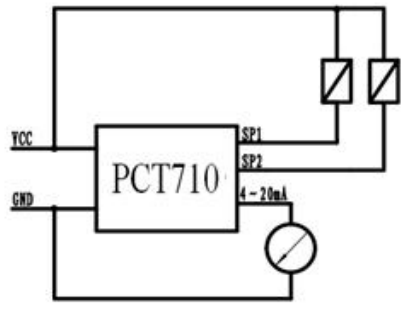
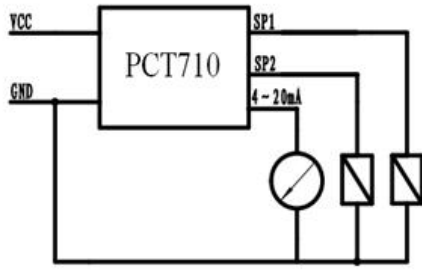
### Structural performance parameters

Housing material	304
Medium compatibility	Liquid contacting diaphragm 316L, pressure port 304
Panel material	PA66

### Outline dimension

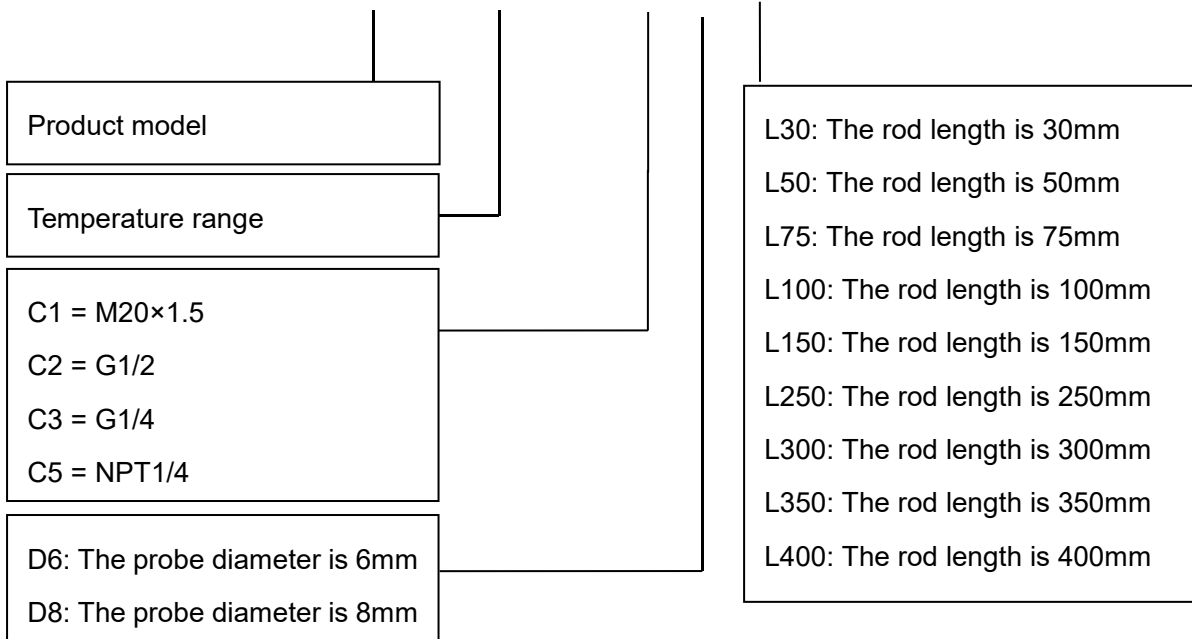
In mm

Dimension	
-----------	--

M12×1	Wiring definition	Wiring diagram
	<p>1: VCC (Supply +)                  2: GND (Supply -)                  3: SP1 (Switch 1)                  4: SP2 (Switch 2)                  5: 4~20mA</p>	 <p>NPN output wiring diagram</p>  <p>PNP output wiring diagram</p>

How to order

PCT710 - (-50~0)- C1-D6-L300



Example: PCT710-(-50~0)C1D6L300

Refer to PCT710 Temperature Switch, temperature range -50°C~0°C, pressure connection M20×1.5, probe diameter 6mm, rod length 300mm.

<b>Name</b>	<b>Specifications</b>
M12×1 female with wire	M12×1 female 5-pin with wire 2m

## Ordering tips

1. Please ensure the compatibility between the measured medium and the contacting part of the product when placing an order.
2. If there are special requirements for the product appearance or performance parameter, our company can provide customization.

Wotian reserves the right to make any change in this publication without notice. The information provided is believed to be accurate and reliable as of this product sheet.

## Contact us

Nanjing Wotian Technology Co.,Ltd.

website: [www.wtsensor.com](http://www.wtsensor.com)

Add: 5 Wenyong Road, Binjiang Development Zone, Nanjing, 211161, China

Sales Manager: Wuzhou Lian

Email: [wuzhou@wtsensor.net](mailto:wuzhou@wtsensor.net)