

PCT380 Smart Temperature Transmitter



- Can convert all inputs to 4-20 mA
- Input: thermocouples, RTD, resistance or voltage
- Configuration directly via PDA or PC
- Build-in cold junction compensation
- Available with screw-in temperature probe

PCT380 is a head mount temperature transmitter with a single input. The single input accepts thermocouples, RTD, resistance or voltage source. All inputs are linearized and converted in to an industrial standard 4 to 20 mA output for transmission to your system.

Main parameters

Accuracy	≤0.1%F.S.
Power supply	12-40V
Signal input	RTD TC resistance mV
Signal output	4-20mA 1-5V(customized)
Digital communication	Hart protocol
Response time	≤1s
Operating temp.	-40° C-85° C
Ingress protection	4g ² -150Hz
Cold junction compensation	Build-in
Configuration	PAD or PC

RTD temperature probes

Description	Measuring range °C		Minimum measuring range	Connection type
PT100	-200	850	10K	Three-wire
Cu50	-50	150	10K	Three-wire

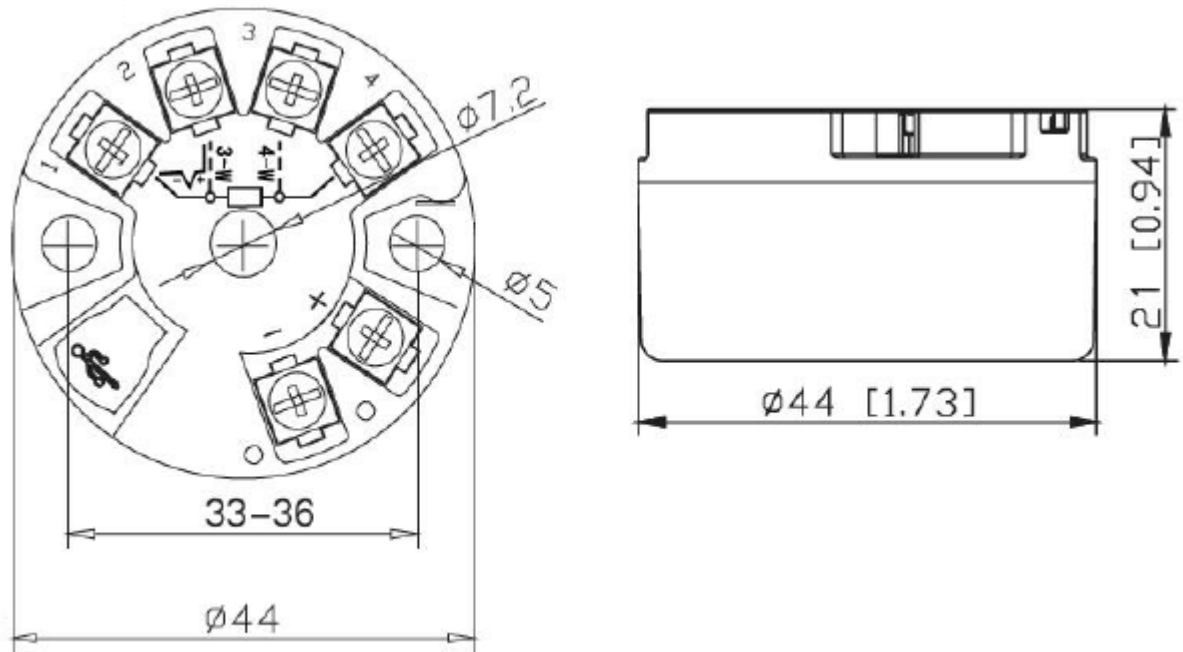
Thermocouples

Description	Measuring range °C		Minimum measuring range	Connection type
B	400	1820	500K	Two-wire
E	-100	1000	50K	Two-wire
J	-100	1200	50K	Two-wire
K	-180	1372	50K	Two-wire
N	-180	1300	50K	Two-wire
R	-50	1760	500K	Two-wire
S	-500	1760	500K	Two-wire
T	-200	400	50K	Two-wire

RTD temperature probes

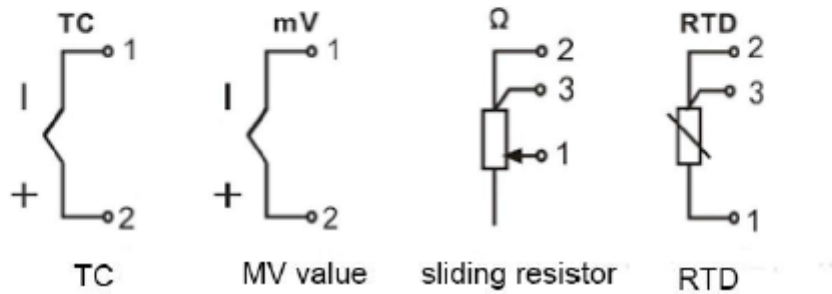
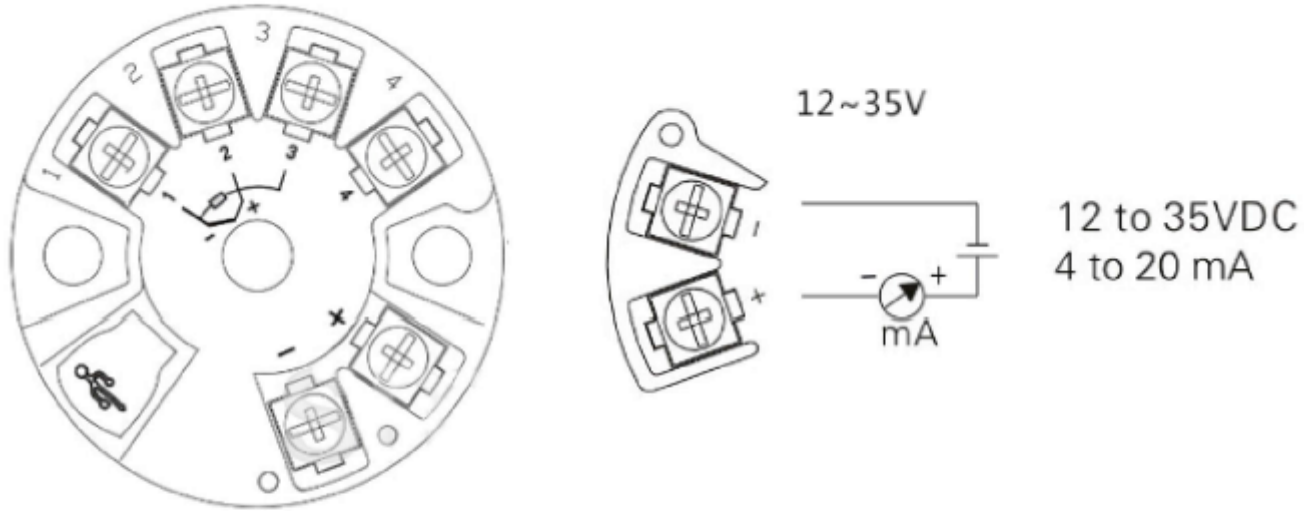
Description	Measuring range Ω		Minimum measuring range	Connection type
Resistance transmitter	0	4500	500K	Two-wire

Block diagram



: Mm(in)

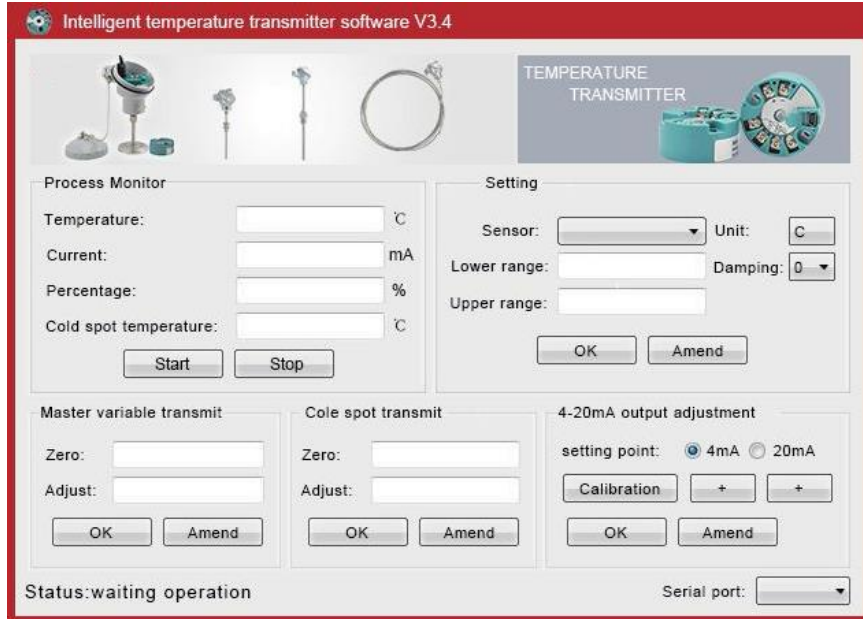
■ **Note:** *When mounting on a sensor head, do not overtighten the screws.
Take necessary measure to avoid corrosion or damage of cables and wires.*



■ *Function*

- Install the driver
- Connect the transmitter with PC, open the software
- Choose the sensor type and temperature unit
- Set the temperature range accordingly
- Click ok or amend if need modify and then finish
- Other parameters are default and no need to set normally

■ *Fenster*





Wotian reserves the right to make any change in this publication without notice. The information we provided is believed to be accurate and reliable as of this product sheet.

Contact us

Nanjing Wotian Technology Co.,Ltd.

website: www.wtsensor.com

Add: 5 Wenyong Road, Binjiang Development Zone, Nanjing, 211161, China

Sales Manager: Wuzhou Lian

Email: wuzhou@wtsensor.net