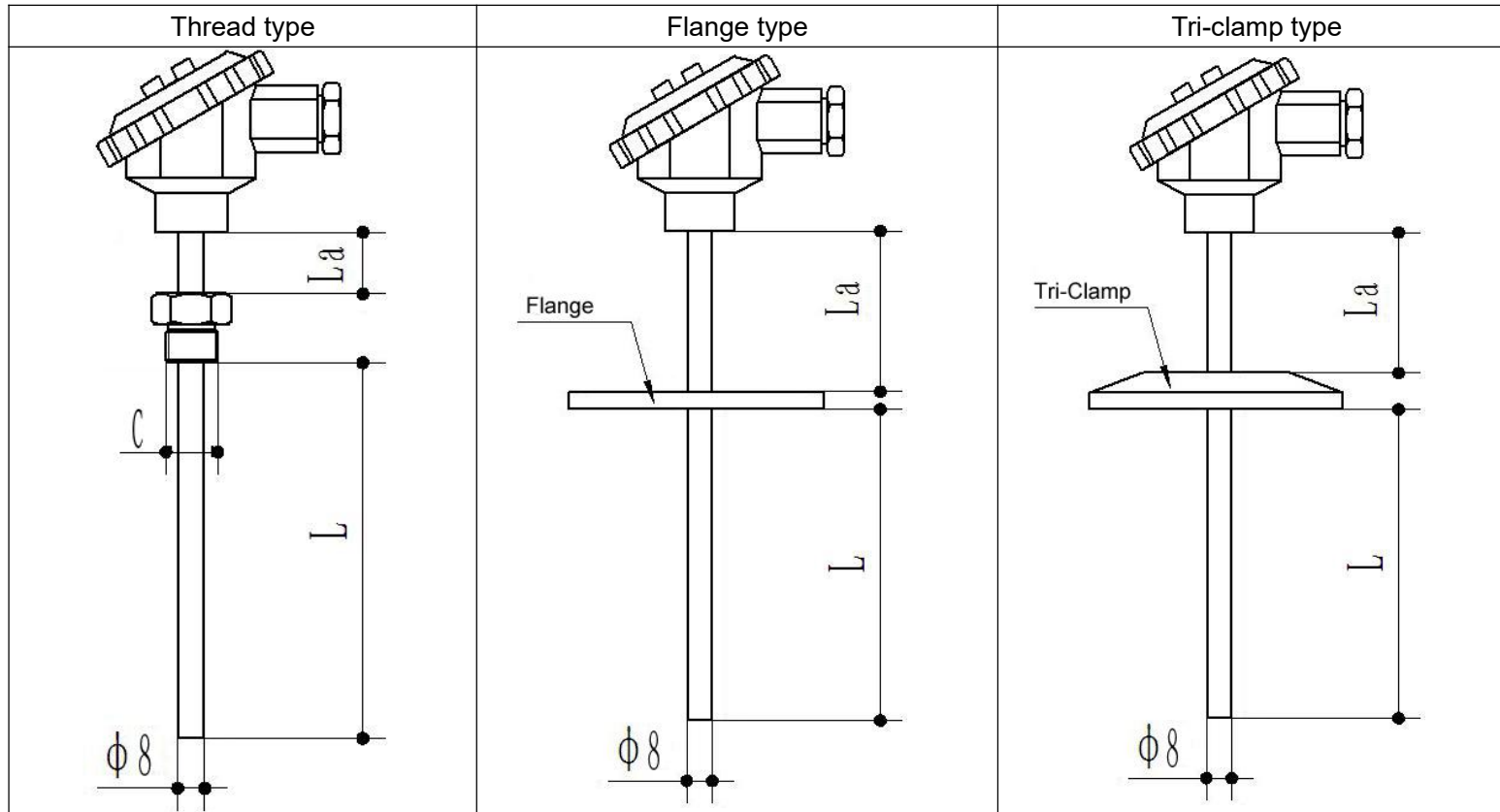


PCT220 Armored Explosion Proof Temperature Transmitter



Platinum temperature sensor
Vibration resistance, good reliability, high accuracy

Temperature range	
Temperature range	-50°C to 250°C
Specification	
Accuracy (linearity, repeatability and hysteresis)	±0.5%F.S. (Typical)
Supply	24VDC
Output	4-20mA
Heat response time	≤30S
Sensing element	PT100
Insertion diameter	Φ8mm
Insulation	100MΩ/250VDC
Protection	IP65
Ex-proof	Exia IIC T6
Housing material	Stainless steel 304



PCT220 XX XX XX

Temperature range

Please write directly

Temperature connection

C1: M20*1.5 F1: DN25 K1: 1.5"TC
 C2: G1/2 F2: DN40 K2: 2"TC
 C4: M14×1.5

Insertion length

L30: 30mm
 L50: 50mm
 L75: 75mm
 L100: 100mm
 L150: 150mm

Wotian reserves the right to make any change in this publication without notice. The information provided is believed to be accurate and reliable as of this product sheet.

Contact us

Nanjing Wotian Technology Co.,Ltd.

website: www.wtsensor.com

Add: 5 Wenyang Road, Binjiang Development Zone, Nanjing, 211161, China

Sales Manager: Wuzhou Lian

Email: wuzhou@wtsensor.net