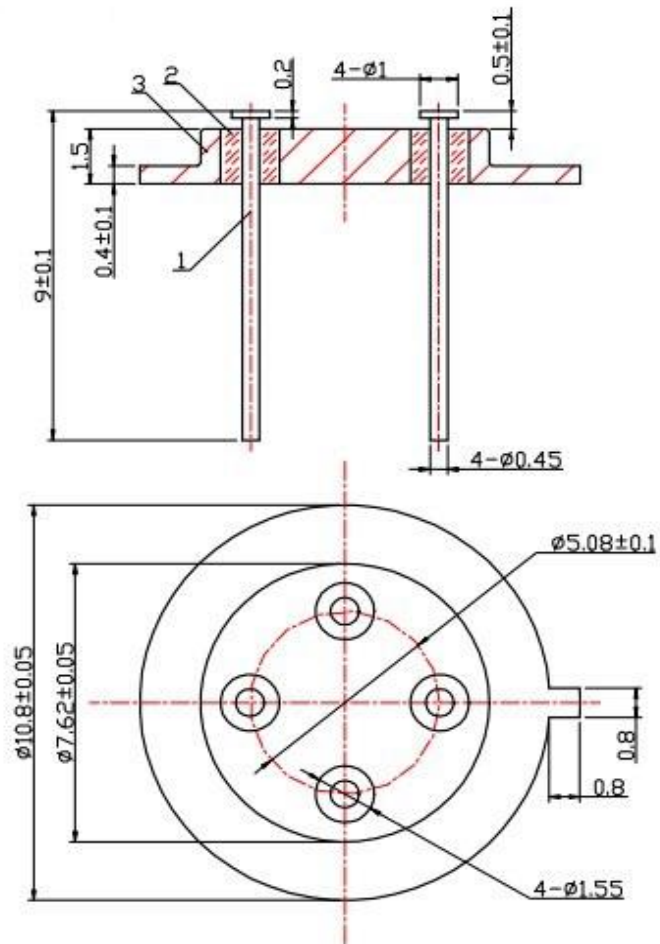


PC-GS03-TO Header



Specification	
Material	Spcc, Kovar and so on
Insulation resistance	500V \geq 1000M Ω
Seal	1 \times 10 ⁻¹⁰ Pa.m ³ /s
Operating temperature	-55 $^{\circ}$ C—150 $^{\circ}$ C
Withstand pressure	20MPa
Pin plating	gold, nickel

Drawing



Wotian reserves the right to make changes to any product in this publication without notice. The information we supply is believed to be accurate and reliable as of this printing.

Contact us

Nanjing Wotian Technology Co.,Ltd.

Website: www.wtsensor.com

Add: 5 Wenying Road, Binjiang Development Zone, Nanjing, 211161, China

Sales Manager: Wuzhou Lian

Email: wuzhou@wtsensor.net