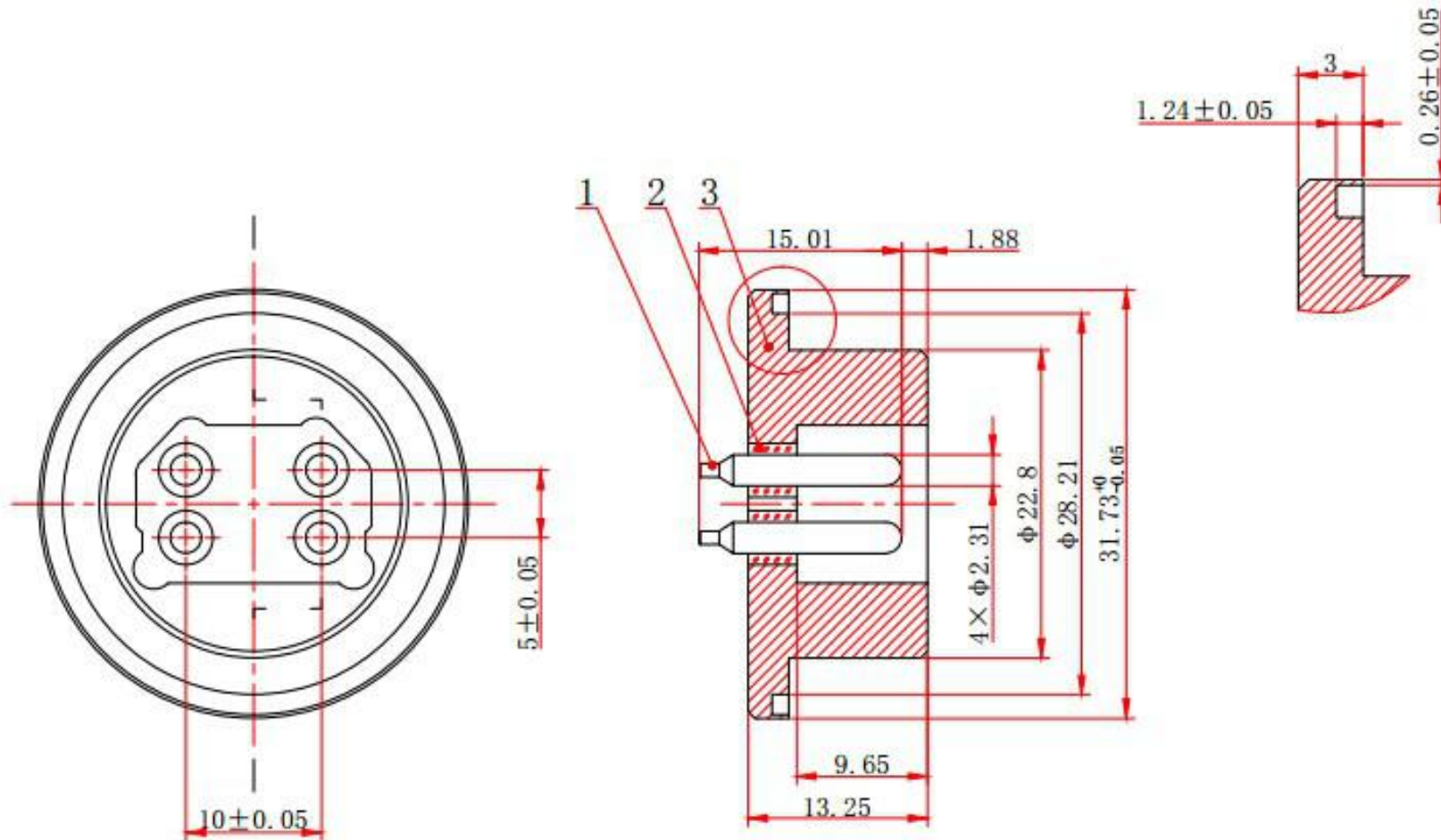


PC-GS08-Connectors



Specification	
Material	304, 4J50
Tolerance	GB/T1804-m
Insulation resistance	$500V \geq 10000M\Omega$
Seal	$\leq 1 \times 10^{-9} Pa \cdot m^3/s$
Operating temperature	$-55^{\circ}C - 125^{\circ}C$
Pressure	15MPa
Withstand voltage	1000V
Lifetime	≥ 500 times
Pin plating	Ni3 μm +Au0.2 μm



Wotian reserves the right to make changes to any product in this publication without notice. The information we supply is believed to be accurate and reliable as of this printing.

Contact us

Nanjing Wotian Technology Co.,Ltd.

Website: www.wtsensor.com

Add: 5 Wenying Road, Binjiang Development Zone, Nanjing, 211161, China

Sales Manager: Wuzhou Lian

Email: wuzhou@wtsensor.net