

PCT004 Universal Bimetal Temperature Sensor

Features

- Temperature measurement range
- Easy installation
- High temperature measurement accuracy
- Long-term stability
- Long life cycle

Applications

- Electric power, aerospace industry
- Temperature measurement in textile, food and other fields
- Atomic energy, petroleum, chemical

Notes:

- 1 Please read the Instruction Manual of the product carefully before installation and check the relevant information of the product.
- 2 Follow the instructions to install, otherwise it will cause product damage and other potential failures
- 3 Misuse of the product may cause danger or personal injury.



Product overview

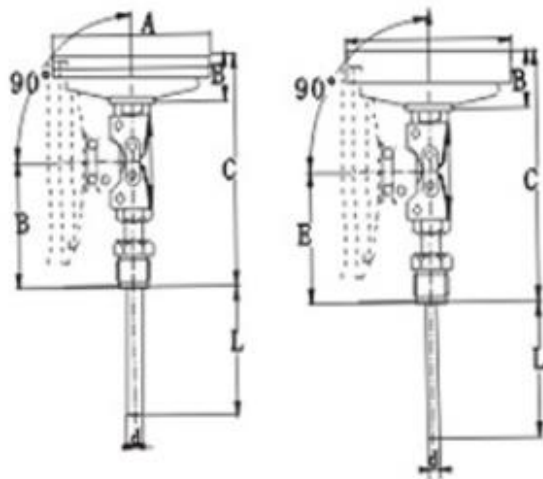
The bimetal temperature sensor integrates bimetal thermometer and thermal resistance (couple) to meet the requirements of on-site temperature measurement and long-distance transmission. It can directly measure liquid, steam and gas media in the range of -80 ~ 500 degrees Celsius during various production processes and the temperature on solid surfaces.

Notes:

- 1 Do not misuse documentation.
- 2 The information presented in this product sheet is for reference only. Do not use this document as a product installation guide.
- 3 Complete installation, operation, and maintenance information is provided in the instructions of the product.
- 4 Misuse of the product may cause danger or personal injury.

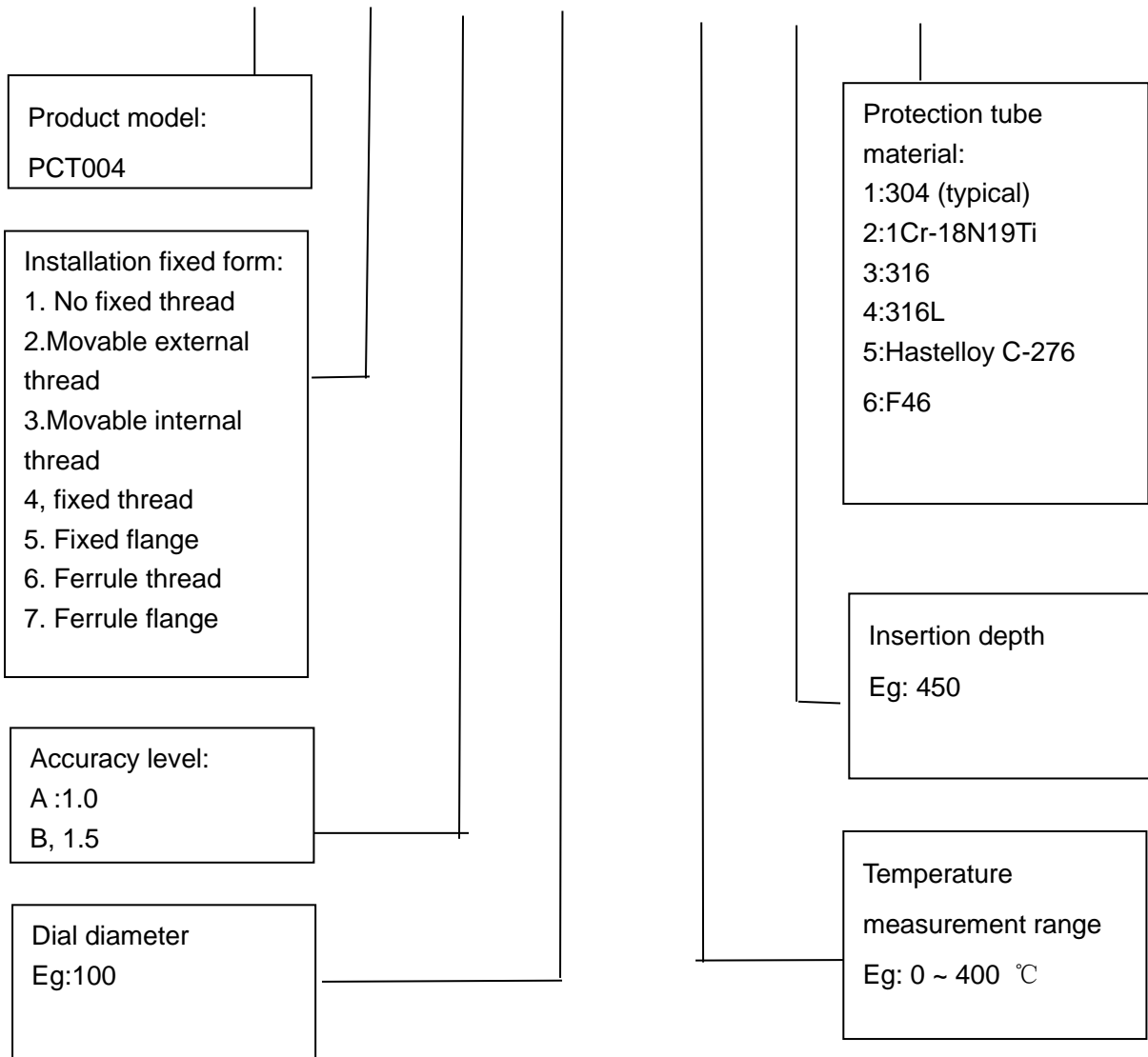
Model	Measurement ranges °C	ranges	Protection tube material		Insertion depth L mm
Bimetal temperature sensor	-80—40	1.0	1Cr-18N19Ti		150
	-40~60	1.5	304		200
	0~50		316		300
	0~150		316L		400
	0~200		Hastelloy		500
	0~400		C-276		750
	0~500		F46		1000
	0~650				2000
form	D	A	B	E	d
Universal type Bimetallic thermometer	105	23	178	120	Φ10
	155	23	178	120	Φ12
					Φ14
	105	40	135		

Product parameters	
Thermal response time:	≤40s
Accuracy class	1.0, 1.5FS
Thermocouple	-80 ~ 650 °C
	Class I, 1.5 °C, Class II, 2.5 °C
Thermal resistance	Class A ± (0.15 + 0.0051t1)
	Class B ± (0.30 + 0.0051t1)
Protection class	IP65
diameter	60, 65, 100, 150



How to order

PCT004 - 1 - B -100 - 0~400°C 450 - 1





Wotian reserves the right to make any change in this publication without notice. The information provided is believed to be accurate and reliable as of this product sheet.

Contact us

Nanjing Wotian Technology Co.,Ltd.

Website: www.wtsensor.com

Add: 5 Wenyong Road, Binjiang Development Zone, Nanjing, 211161, China

Sales Manager: Wuzhou Lian

Email: wuzhou@wtsensor.net