

PCD03 High pressure Dew Point Transmitter



Features:

High accuracy and long-term stability

Capable of temperature compensation and linear adjustment

Standard MODBUS RTU protocol, RS-485 communication interface

More size of connector for different environment to be easily installed

High pressure, low humidity, dew point Max scaling range - 100 ... + 60 dp°C

Free programmable software which can adjust dew point range

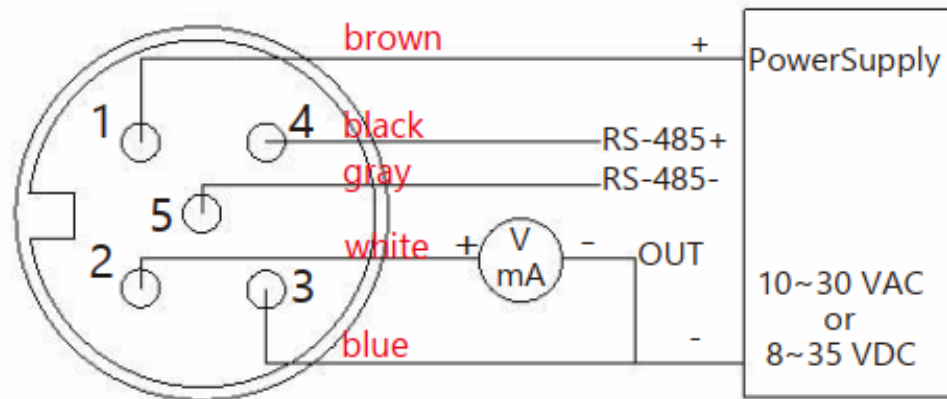
Application:

Compressed air system / Freezer / Adsorption machine
 Plastic dryer / Industrial drying process
 Paper / Chemical process monitoring

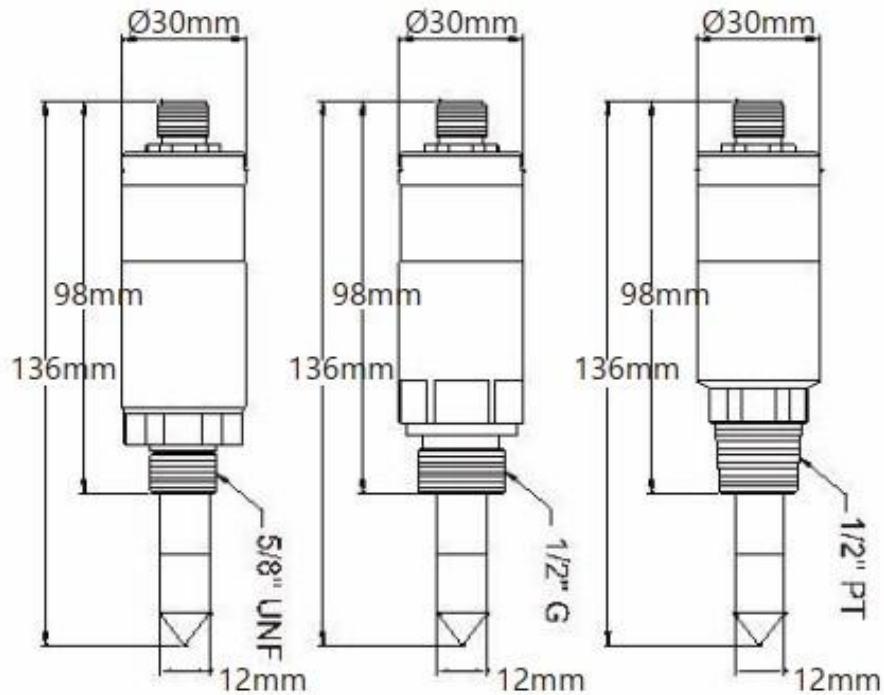
Technical Parameter:

DP range	- 60 to +60 dp °C
Output signal	Standard RS-485 & 1 analog output
	0-20mA / 4-20 mA / 0-1VDC / 0-5VDC / 0-10VDC
Signal connection	3-wire
Modbus	Standard RS-485 & 1 analog output
Power Supply	8VDC to 35VDC & 10VAC to 30VAC
Linear accuracy	$\pm 2 \text{ dp } ^\circ\text{C}$ (at $+ 25 \text{ } ^\circ\text{C}$) $\pm 0.02\% \text{F.S}/^\circ\text{C}$
Response time	< 20S (temp.at+25°C)
Operating temp. for housing	- 40 ... + 80 °C
Operating humidity for housing	0 ... 95 RH %
Operating temp. for probe	- 70 ... + 80°C
Storage temperature	- 25 ... + 60 °C
Bearable pressure	16 bar
Current	DC24V, 50 mA
Consumption	M12 connector
Power Supply	8-35 VDC & 10-30 VAC
Protection	Body IP65 (probe : IP20)
Housing	S.S.(SUS304)
Probe	S.S. (SUS304) / SUS sintered filter (SUS316)

Wire connection



M12 connector

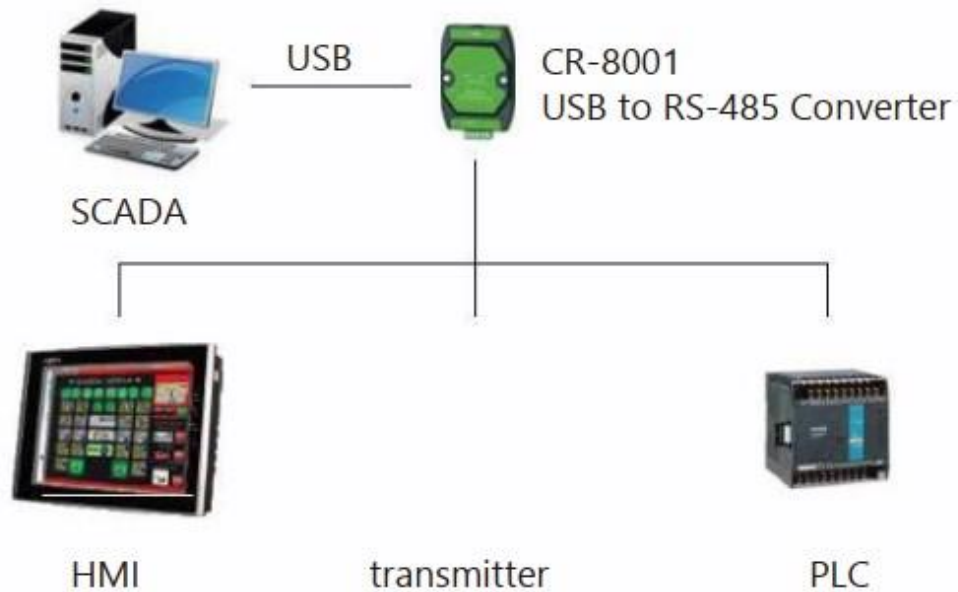


※Standard---PVC --5PIN 2M waterproof cable

How to Order

Type	PCD03	—	C	1
Dew point measuring range	-20 ... +20 °C	—	A	
	-40 ... +20 °C	—	B	
	-100 ... +20 °C	—	C	
Connector	1/2"PT (R1/2")			1
	1/2"G			2
	5/8"UNF			3

USB to Isolated RS485



※ Require Device

1. PC
2. RS-485 to USB Converter
3. power supply
4. THS88 PLUS UI software

Contact us

Nanjing Wotian Technology Co.,Ltd.

Website: www.wtsensor.com

Add: 5 Wenyang Road, Binjiang Development Zone, Nanjing, 211161, China