

PCS6 OEM Subminiature Pressure Switch



Product overview

PCS6 Pressure Switch are compact pressure switches which are adjustable or factory Set and designed for OEM applications. They are equipped with high proof pressure capabilities for demanding hydraulic applications such as forklifts, scissor lifts, and off road equipment. They are Perfect for Demanding OHV Applications.

Notes:

- 1 Please read the Instruction Manual of the product carefully before installation and check the relevant information of the product.
- 2 Strictly follow the wiring method for wiring, otherwise it may cause product damage or other potential faults.
- 3 Misuse of the product may cause danger or personal injury.

Notes:

- 1 Do not misuse documentation.
- 2 The information presented in this product sheet is for reference only. Do not use this document as a product installation guide.
- 3 Complete installation, operation, and maintenance information is provided in the instructions of the product.
- 4 Misuse of the product may cause danger or personal injury.



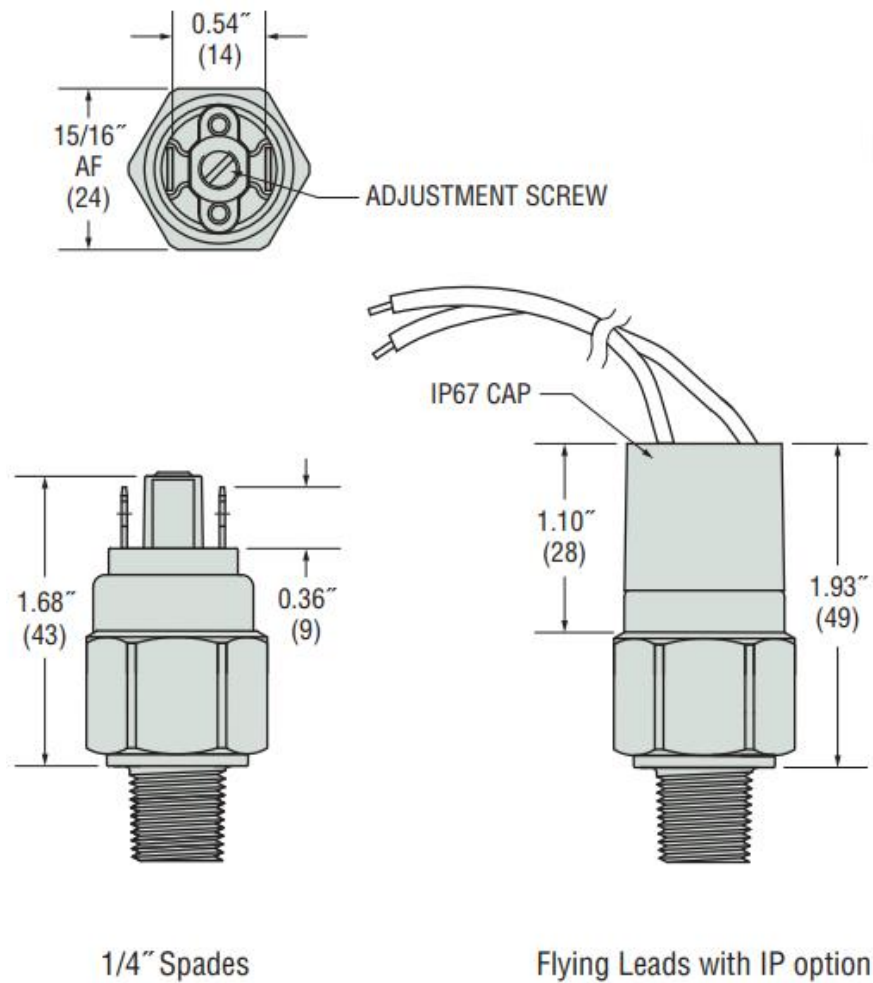
Performance parameters

Pressure range	15-3000 psi (1~207bar)
SWitch*	100 VA Max
Wetted Parts Diaphragm	Nitrile (optional Neoprene, EPDM or Viton®)
Fitting	Zinc-Plated Steel (optional 316 Stainless Steel)
Electrical Termination	Exposed Terminals IP00; IP option IP66
Deadband	See Table 1
Proof Pressure	6000 psi (414 bar)
Burst Pressure	9000 psi (600 bar)
Approvals	CE (limits switch voltage to 42 VDC)
Weight, Approximate	Steel: 0.14 lbs. (0.06 kg)
Diaphragm Material	Range
Nitrile	15° F to 230° F (-9° C to +110° C)
Viton®	0° F to 230° F (-18° C to +110° C)
EPDM	-40° F to +230° F (-40° C to +110° C)

* Gold contacts (option G) may be required for less than 12 VDC and 20 mA.

Note: Switches may function below the cold temperature limit but the set points and deadband will increase. Consult factory for details.

Dimension


Pressure range (Table 1)

Pressure range code	Pressure range	Repeatability*	Average Deadband**
11	15-60 psi (1-4 bar)	± 1.5 psi (0.10 bar) +3% of setting	3 psi (0.21 bar) +5% of setting
15	40-150 psi (3-10 bar)	± 2.5 psi (0.17 bar) +3% of setting	5 psig (0.34 bar) +6% of setting
19	75-275 psi (5.2-18.9 bar)	± 3.75 psi (0.26 bar) +3% of setting	7 psig (0.48 bar) +8% of setting
25	150-500 psi (10.3-34.5 bar)	± 5 psi (0.34 bar) +3% of setting	10 psi (0.69 bar) +10% of setting
29	275-800 psi (19.0-55.2 bar)	± 8 psi (0.55 bar) +3% of setting	15 psi (1.03 bar) +11% of setting
35	400-1100 psi (27.6-76 bar)	± 13 psi (0.90 bar) +3% of setting	30 psi (2.07 bar) +12% of setting
50	1000-3000 psi (69-207 bar)	± 35 psi (2.41 bar) +3% of setting	70 psi (4.83 bar) +14% of setting

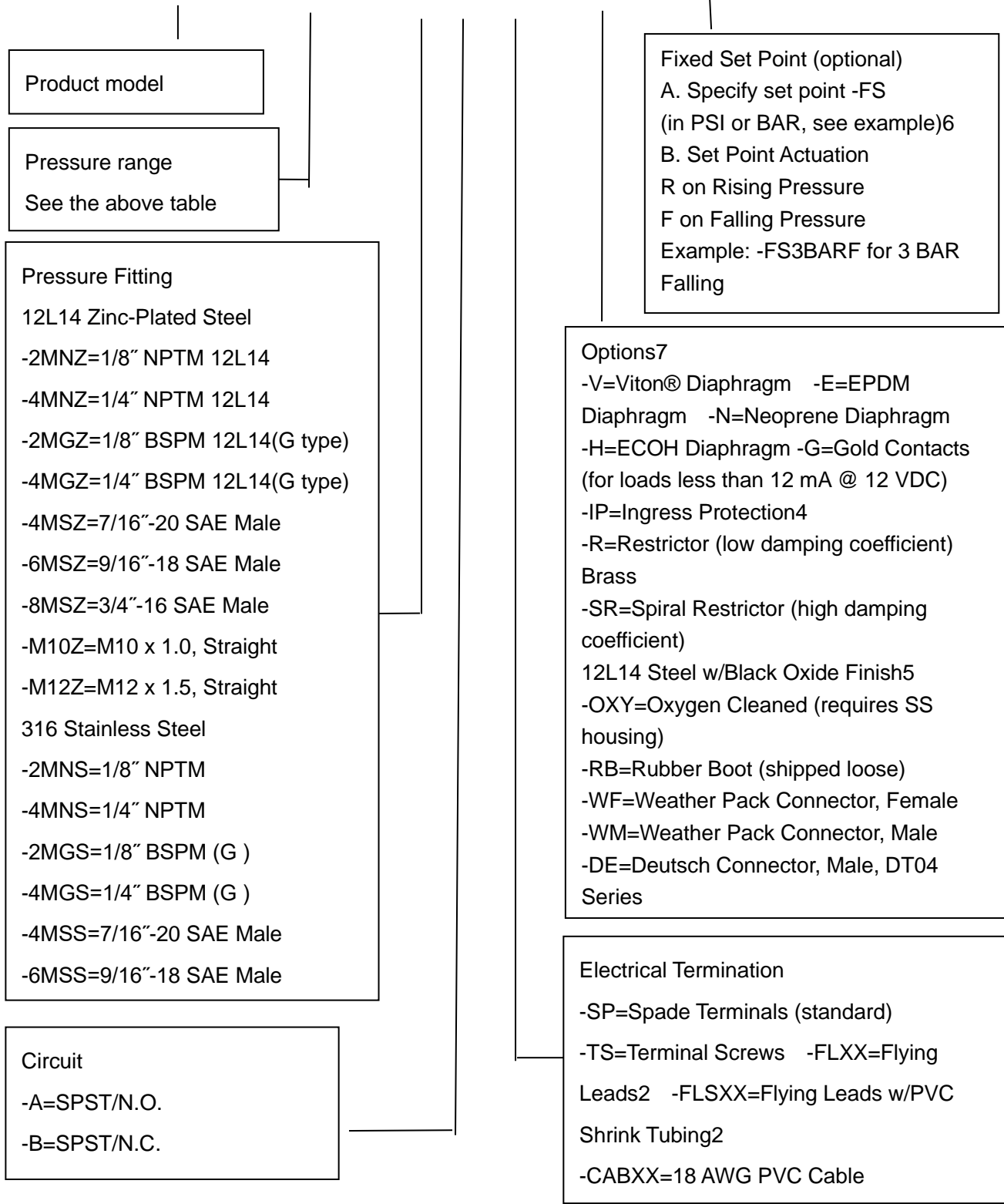


* Repeatability and set point of units may change due to the effects of temperature.

** In certain applications deadband can be tailored and controlled to customer specifications. Consult factory for details

How to order

PCS6 - 11 - 4MNZ -A - SP - XX - XXXX





Notes:

1. Other fittings available. Consult factory.
2. 18" is standard. Specify lead length in inches (max. 48"). e.g. -FL18 or -FLS30.
3. 36" is minimum. Specify cable length in inches. e.g. -CAB36 or -CAB120.
4. Ingress Protection is available only with -FL, -FLS or -CAB Electrical Termination choices.
5. -SR will result in wider deadbands and slower response times.
6. Set Point must be within Pressure Range selected in Step 1.

Wotian reserves the right to make any change in this publication without notice. The information provided is believed to be accurate and reliable as of this product sheet.

Contact us

Nanjing Wotian Technology Co., Ltd.

Website: www.wtsensor.com

Add: 5 Wenyong Road, Binjiang Development Zone, Nanjing, 211161, China