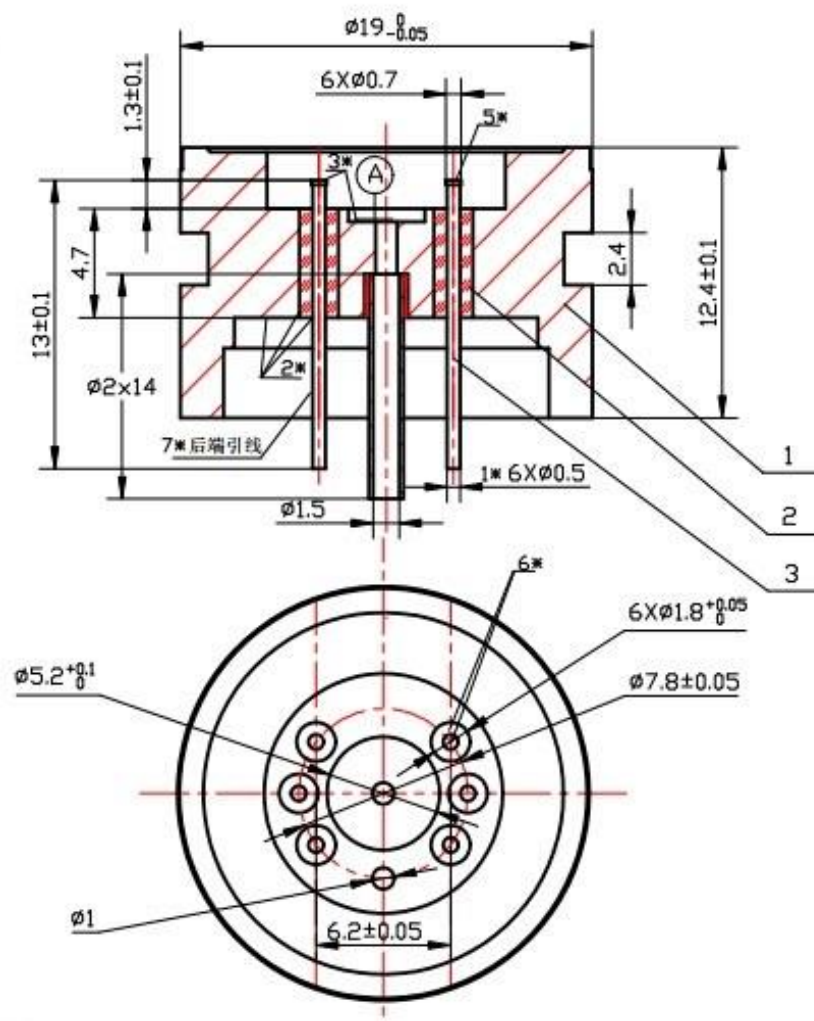


PC-GS01-Seal Headers



Specification	
Material	316L, Titanium alloy, Hastelloy, Kovar
Insulation resistance	$500V \geq 1000M \Omega$
Seal	$1 \times 10^{-10} Pa \cdot m^3/s$
Operating temperature	-55°C-300°C
Withstand pressure	100 MPa
Pin plating	gold (available)



Wotian reserves the right to make changes to any product in this publication without notice. The information we supply is believed to be accurate and reliable as of this printing.

Contact us

Nanjing Wotian Technology Co.,Ltd.

Website: www.wtsensor.com

Add: 5 Wenyong Road, Binjiang Development Zone, Nanjing, 211161, China