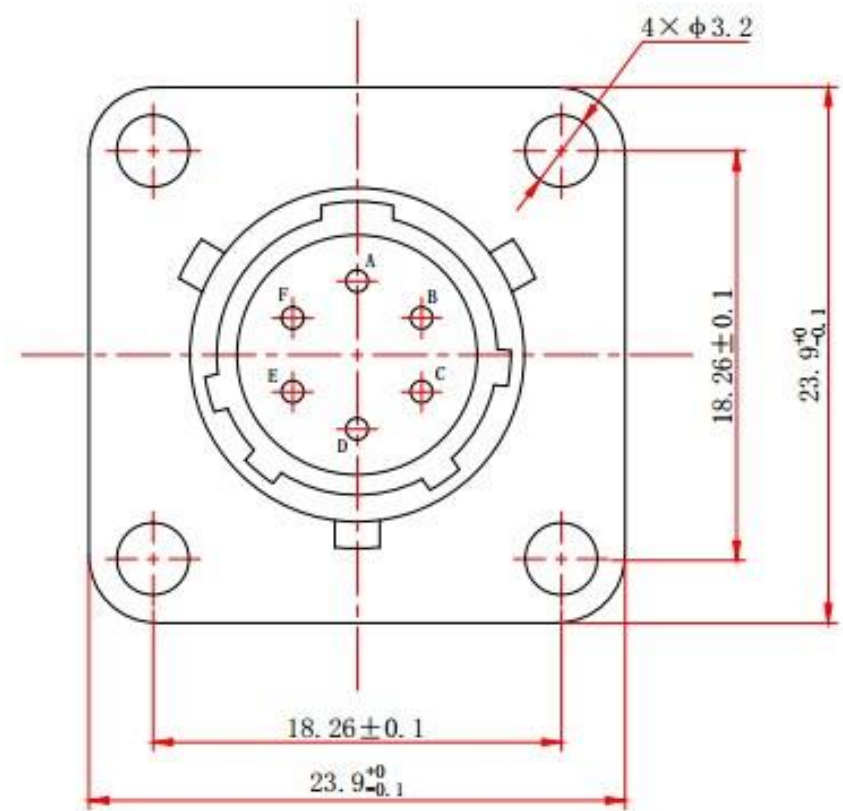
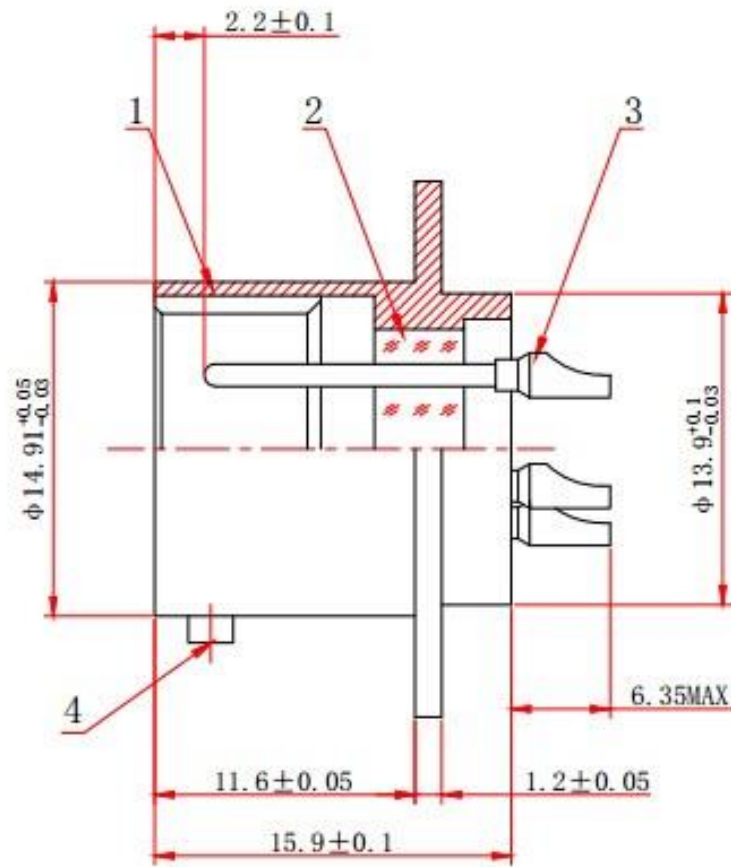


PC-GS10-Connectors



Specification	
Material	303, 4J50
Tolerance	GB/T1804-m
Insulation resistance	500V \geq 5000M Ω
Seal	$\leq 1 \times 10^{-9}$ Pa.m ³ /s
Operating temperature	-55 $^{\circ}$ C—125 $^{\circ}$ C
Withstand pressure	8Mpa
Withstand voltage	1500V
Lifetime	\geq 500 times
Pin plating	N2.54~6.35 μ m+Au1.27-2.54 μ m

Drawing



Wotian reserves the right to make changes to any product in this publication without notice. The information we supply is believed to be accurate and reliable as of this printing.

Contact us

Nanjing Wotian Technology Co.,Ltd.

Website: www.wtsensor.com

Add: 5 Wenying Road, Binjiang Development Zone, Nanjing, 211161, China