

PC-GSXR001-Seal connector



Features

- Good sealing performance
- Corrosion resistance

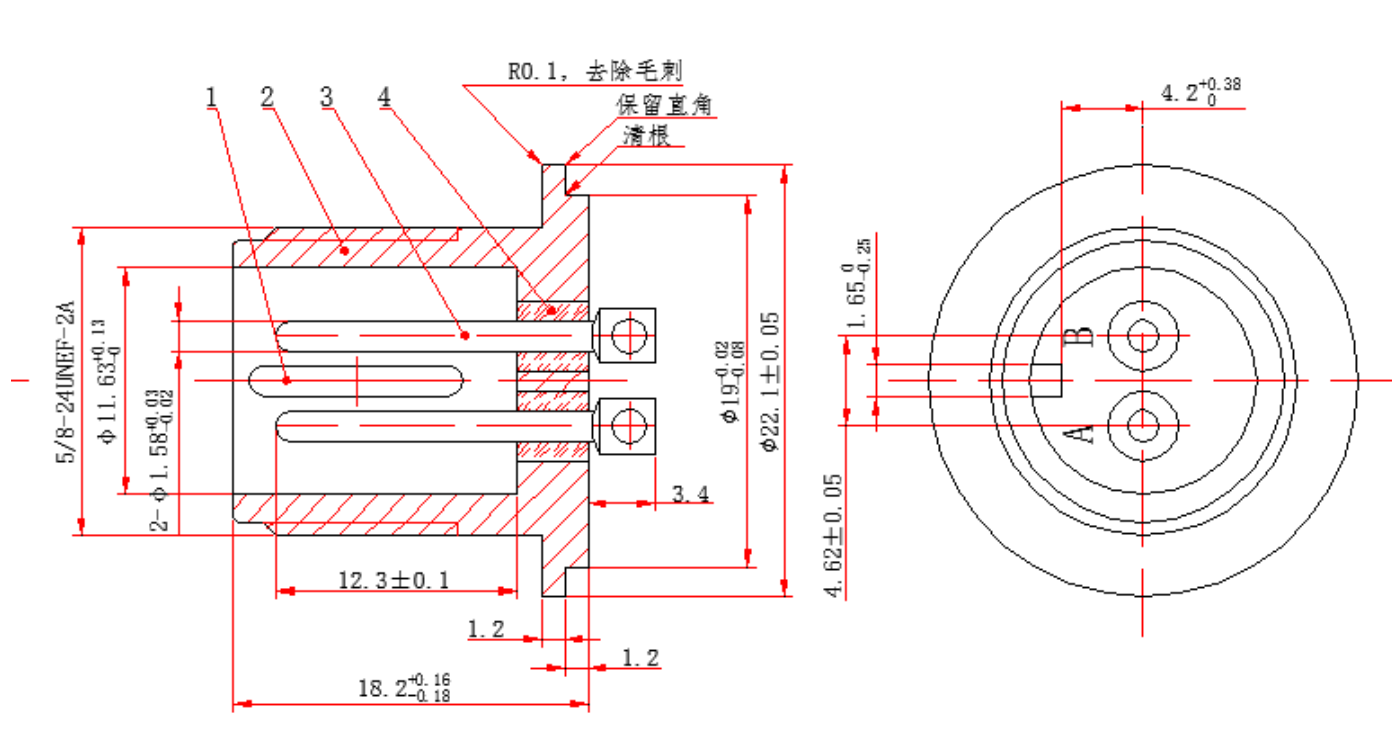
Applications

- Connection for variation of sensor of vibration and speed.

Specification

Material	316L,
Insulation resistance	500V ≥ 5000M Ω
Seal	1×10 ⁻¹⁰ Pa.m ³ /s
Operating temperature	-55°C-300°C
Withstand pressure	10 MPa
Pin plating	gold (available)

Drawing





Contact us

Nanjing Wotian Technology Co.,Ltd.

Website: www.wtsensor.com

Add: 5 Wenying Road, Binjiang Development Zone, Nanjing, 211161, China