

PCDO20 Digital Analyzer Monitor

Features

- The isolated transmission output is adopted, which is less affected by interference
- Adopt isolated RS485 communication technology
- With high and low alarm output function
- With sound and light alarm function
- With LCD backlight switch control function

Applications

- PH sensor
- Conductivity sensor
- Oxygen sensor
- Turbidity sensor

Notes:

- 1 Do not misuse documentation.
- 2 The information presented in this product sheet is for reference only. Do not use this document as a product installation guide.
- 3 Complete installation, operation, and maintenance information is provided in the instructions of the product.
- 4 Misuse of the product may cause danger or personal injury.

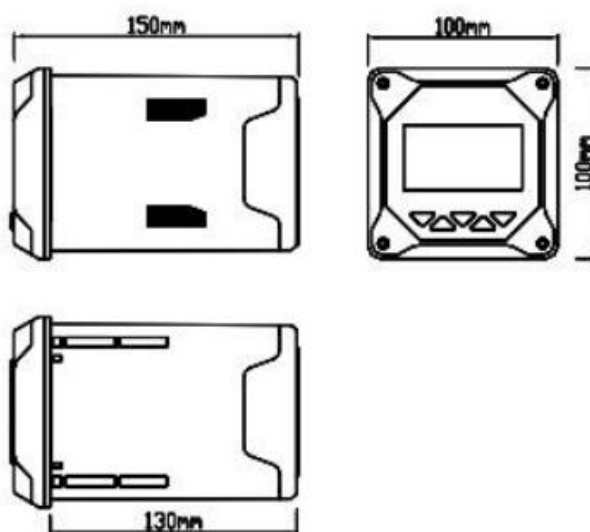


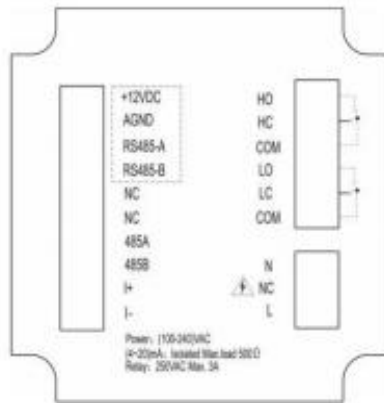
Product overview

PCDO20 Digital analyzer monitor is a general-purpose water quality controller. It is suitable for use with multiple water quality series digital sensors. It is used to monitor water quality parameters including pH, ORP, conductivity, dissolved oxygen, turbidity, sludge concentration, etc.

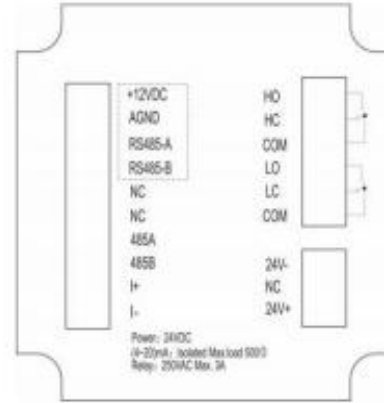
Technical indicators	
Display	2.8-inch monochrome LCD screen, resolution 128*64
Dimension	100mm×100mm×150mm
Hole size	92.5mm×92.5mm
Monitoring parameters	pH/ORP/Conductivity/DO/Turbidity/Sludge concentration
Display range	pH: (0~14)pH
	ORP:(-2000~2000) mV
	DO: (0~40)mg/L
	Saturation: (0~200)%
	Conductivity:(0~600) mS/cm
	Turbidity:(0~4000) NTU
Sludge concentration:(0~120000)mg/L	
Current output	(4~20)mA load capacity 500Ω, output accuracy ±0.2%FS
RS485 output	Isolated, Modbus-RTU communication
Alarm	2 channels, capacity AC250V/3A
Distribution output	12V/125mA
Relative humidity	(10 ~ 85)% (no condensation)
Working temperature	(0 ~ 60)°C
Input	AC: (100~240)VAC DC: 24VDC(Optional)
Storage conditions	Temperature:(-15 ~ 65)°C Humidity(5 ~ 95)% (no condensation) Height:<2000M

Dimension (mm)





220VAC wiring diagram



24VDC wiring diagram

- 12VDC: 12V power supply +
- AGND: 12V power supply -
- RS485-A: Sensor RS485 communication port A
- RS485-B: Sensor RS485 communication port B
- NC: Unidentified
- RS485 A: RS485 communication interface A +
- RS485 B: RS485 communication interface B-
- I+: 4-20mA output end+
- I-: 4-20mA output end -

- HO: High alarm normally open relay
- HC: High alarm normally closed relay
- COM: relay common terminal
- LO: Low alarm normally open relay
- LC: Low alarm normally closed relay
- COM: relay common terminal
- L: Power port L
- N: Power port N
- 24V+: 24VDC +
- 24V-: 24VDC -

Wotian reserves the right to make any change in this publication without notice. The information provided is believed to be accurate and reliable as of this product sheet.

Contact us

Nanjing Wotian Technology Co.,Ltd.

Website: www.wtsensor.com

Add: 5 Wenying Road, Binjiang Development Zone, Nanjing, 211161, China

E-mail: dr@wtsensor.com