

PCM100 INTELLIGENT DIGITAL PRESSURE GAUGE

Features

- 5 digit LCD showing the pressure accurately in real time
- Different pressure units available, zero clearing, backlight, on/off
- Battery-powered, low-power design keeping working for 12 months
- High precision, long-term stability

Applications

- Machinery and electronic industry
- Supporting equipment of instruments and meters
- Pressure laboratory
- Mechanical engineering automation
- Replacement of pointer precise pressure gauge

Notes:

- 1 Do not touch the diaphragm with hard objects, which may cause damage to the diaphragm.
- 2 It is recommended to install three-valve manifold when using this product.
- 3 Please read the Instruction Manual of the product carefully before installation and check the relevant information of the product.
- 4 Strictly follow the wiring method for wiring, otherwise it may cause product damage or other potential faults.



Product overview

This gauge is a high-precision and intelligent digital pressure gauge. It has a high-precision sensor and display the pressure accurately in real time, equipped with a largesize LCD. It has a various of features, such as zero clearing, backlight, on/off button, units, low voltage alarm. And it is convenient to install and easy to operate. This gauge can be used as peak record to record the maximum and minimum.

The surface and connector of the product is 304SS. It can be used to measure gas, liquid, oil and other non-corrosive mediums of stainless steel. It applies to these fields: portable pressure measurement, equipment supporting, equipment calibrations.

Notes:

- 1 Do not misuse documentation.
- 2 The information presented in this product sheet is for reference only. Do not use this document as a product installation guide.
- 3 Complete installation, operation, and maintenance information is provided in the instructions of the product.
- 4 Misuse of the product may cause danger or personal injury.

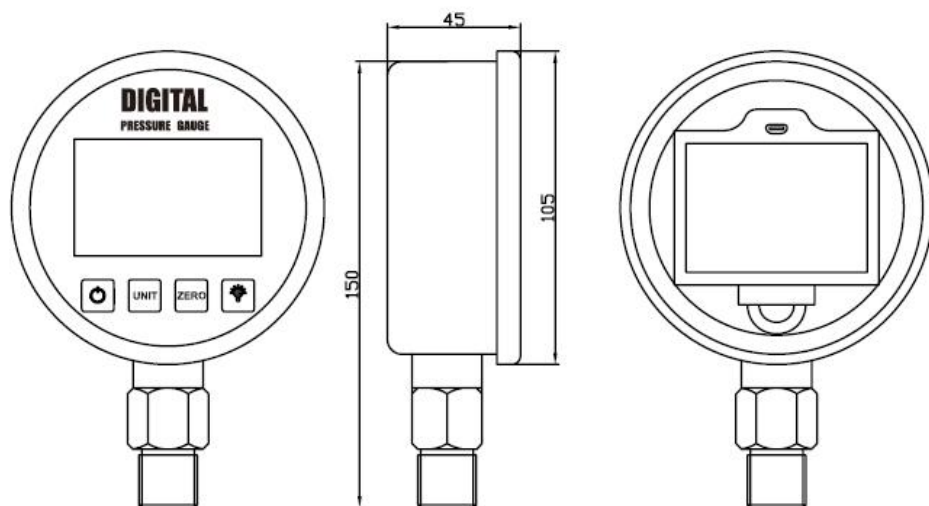
Performance parameters

Range	Micropressure: (6...10...25)kPa Medium Voltage: (0.4...0.6...4)MPa High Pressure: (6...10...25)MPa Ultra High Pressure: (40...60...160)MPa Compound Range: (-5~5...10...-100~1000)kPa Absolute Pressure: (0~100...250...1000)kPa
-------	-------------------------------------------------------------------------------------------------------------------------------------------------------------------------------------------------------------------------------------------------

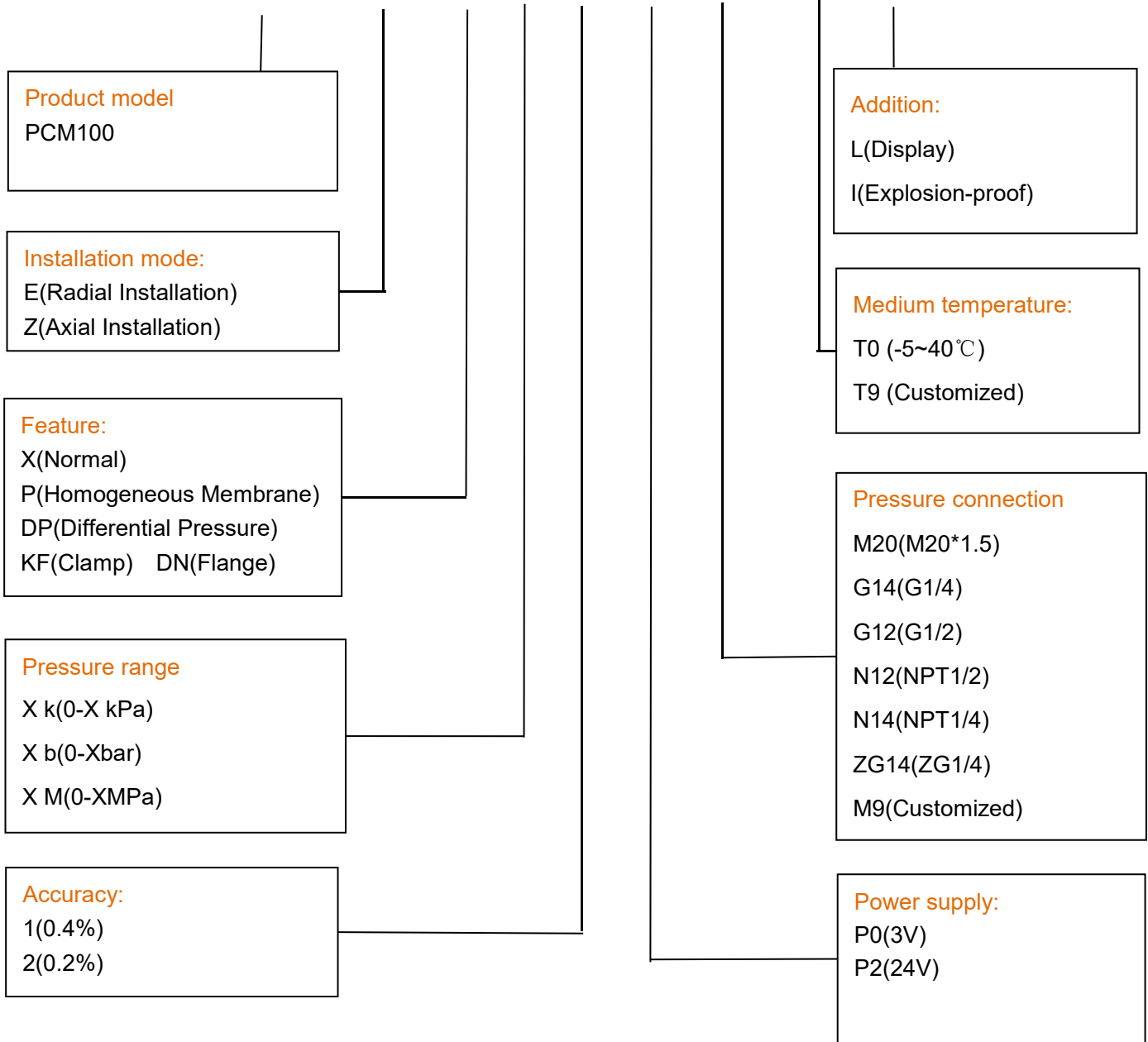
	Differential Pressure:(0~10...25...40...60...100...250...400...600)kPa (0~1...1.6)MPa
Overload Capacity	150%;
Backlight Color	White
Dial Size	100mm
Accuracy	0.2%FS;0.4%FS
Long-term Stability	Typical: $\pm 0.2\%$ FS/year
Operating Temperature	-5~40°C
Compensation Temperature	0~40°C
Electric Protection	EN 61326
Sampling Frequency	3 Times/sec
Measurement Medium	Gas,water,oil
Connection	M20*1.5 G1/4 G1/2 or 1/4NPT 1/2NPT(customized)
Connection Material	304SS
Shell Material	304SS
Function	On/off,zero clearing,units changing,backlight,calibration
Power Supply	3 AA batteries
IP rating	IP50(IP54with protection sleeve)

Structure&Dimension

Dimension
In mm



PCM100 - E P 1M 1 P2 M20 T0 L



Example:PCM100-EP1M 1P2M20T0L

PCM100: product model. E:Radial Installation. P:Homogeneous Membrane. 1M:0-1MPa

1: Accuracy:0.4%. P2:Power supply 3V. M20: Pressure connection M20*1.5.

T0: Medium temperature -5~40°C. L: Display.

Wotian reserves the right to make any change in this publication without notice. The information provided is believed to be accurate and reliable as of this product sheet.



Contact us

Nanjing Wotian Technology Co.,Ltd.

Website: www.wtsensor.com

Add: 5 Wenying Road, Binjiang Development Zone, Nanjing, 211161, China

E-mail: dr@wtsensor.com