

# PCT200B Temperature Transmitter (Intrinsically safe explosion-proof)

## Features

- Movable joint, Easy to install
- High strength, high pressure resistance
- Integrated structure
- Long-term stable work
- Fast response
- Reliable structure

## Applications

- Equipment support
- Automatic temperature measurement and control systems such as pumps, compressors, natural gas pipelines, etc.
- Temperature measurement of water or oil in petroleum, chemical, electric power, textile, and environmental protection fields, etc.

### Notes:

- 1 When measuring temperature, the temperature measuring element should reach thermal equilibrium with the measured object.
- 2 Make sure the insertion length is accurate.
- 3 Please read the Instruction Manual of the product carefully before installation and check the relevant information of the product.
- 4 Strictly follow the wiring method for wiring, otherwise it may cause product damage or other potential faults.



## Product overview

PCT200B Temperature Transmitter with movable connector is a specially designed transmitter for easy installation. It adopts imported high-performance, high-reliability platinum resistance, goes through precise temperature and non-linear compensation, and employs good performance modular signal processing technology to measure and calibrate medium temperature and output industrial control standard signals.

The product shell adopts all-stainless steel integrated processing, featuring small size, fast thermal response, etc. The wire adopts special shielded wire which has a wide temperature range. PCT200B is easy to install and has extremely high vibration resistance and shock resistance.

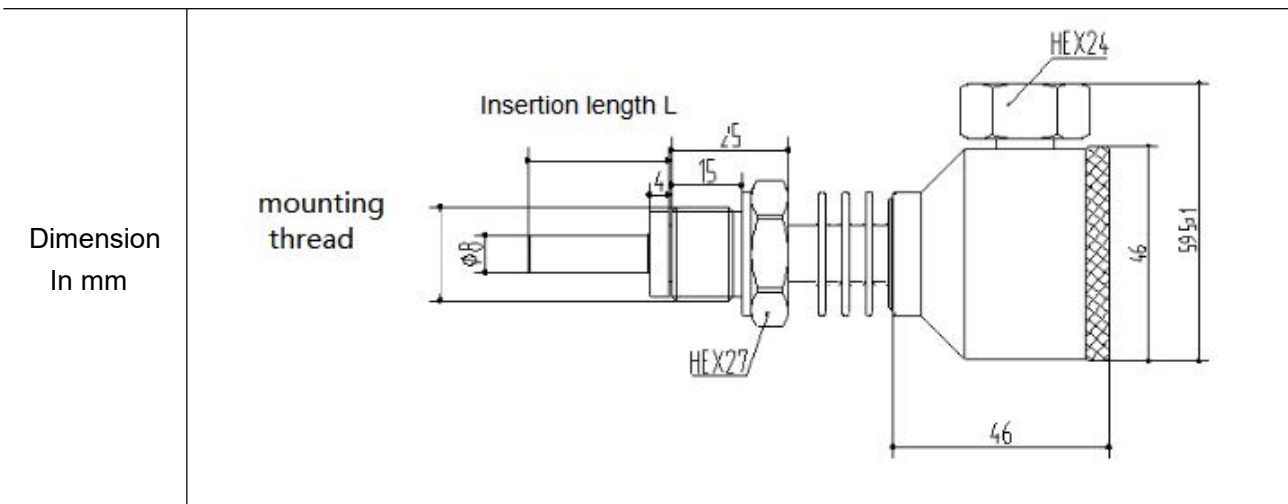
### Notes:

- 1 Do not misuse documentation.
- 2 The information presented in this product sheet is for reference only. Do not use this document as a product installation guide.
- 3 Complete installation, operation, and maintenance information is provided in the instructions of the product.
- 4 Misuse of the product may cause danger or personal injury.

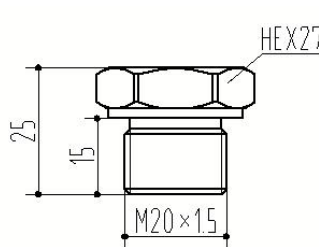
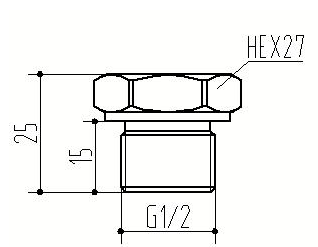
### Performance parameters

Temperature range	-50°C~250°C
Supply & output	4~20mA(16~36VDC)
Accuracy	±0.5%FS
Sensitive element	Pt100 Grade A
Insulation strength	100MΩ/250VDC
Response time	≤30s
Long term stability	≤0.2%FS/year
Insertion diameter	Φ8mm
Storage temperature	-40°C~85°C
Electrical connection	Terminal block
Protection	IP65
Material	304
Max. mounting torque	25Nm

### Structure



### Pressure port

Thread code	C1: M20×1.5-6g	C2: G1/2
Dimension In mm		
Recommended torque	15~25Nm	15~25Nm

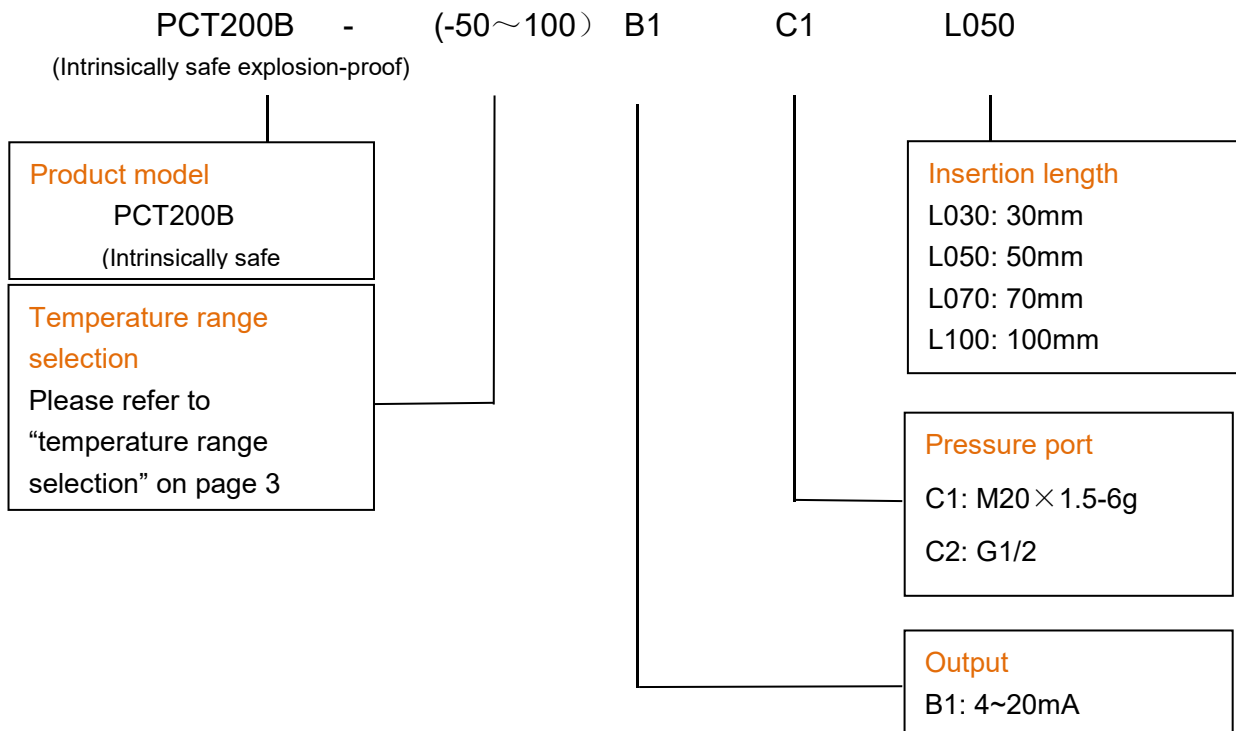
Note: Torque depends on various factors such as material of gasket, supporting materials, lubrication of

thread and pressure.

### Temperature range selection

Temperature range code	Temperature range	Remark
(-50~100)	-50°C~100°C	
(-50~150)	-50°C~150°C	
(-50~200)	-50°C~200°C	
(-50~250)	-50°C~250°C	
(0~100)	0°C~100°C	
(0~150)	0°C~150°C	
(0~200)	0°C~200°C	
(0~250)	0°C~250°C	

### How to order



Example: PCT200B (Intrinsically safe explosion-proof) - (-50~100)B1C1L050

The product model is PCT200B, (-50~100): temperature range -50°C~150°C, B1: output signal 4~20mA, C1: pressure port M20×1.5-6g, L050: insertion length 50mm.

### Ordering tips:

1. Ensure compatibility between measured media and contacting part of product.
2. For special requirements on the product appearance and performance parameters, customization is available.



Wotian reserves the right to make any change in this publication without notice. The information provided is believed to be accurate and reliable as of this product sheet.

## **Contact us**

Nanjing Wotian Technology Co.,Ltd.

Website: [www.wtsensor.com](http://www.wtsensor.com)

Add: 5 Wenying Road, Binjiang Development Zone, Nanjing, 211161, China

E-mail: [dr@wtsensor.com](mailto:dr@wtsensor.com)