

PCU03 Ultrasonic level transmitter

Features

- Simple operation
- Remote type with touch buttons improves the quality of human-computer interaction
- Fault self-diagnosis technology, realize real-time fault self-diagnosis
- A variety of working conditions algorithm selection, improve environmental adaptability
- High measurement resolution
- Fast response, the fastest response time:2 seconds
- Automatic temperature compensation

Applications

- Fire water tank
- Deep well water level
- River reservoir
- Engineering pool
- Sewage/waste water
- Chemical material

Notes:

- 1 Do not touch the diaphragm with hard objects, which may cause damage to the diaphragm.
- 2 Please read the Instruction Manual of the product carefully before installation and check the relevant information of the product.
- 3 Strictly follow the wiring method for wiring; otherwise it may cause product damage or other potential faults.



Product overview

Ultrasonic level meter (measurement of liquid level/material level) is a non-contact, high reliability, cost-effective, easy-to-install and maintain liquid level/material level measuring instrument. It can meet most liquid level/level measurement requirements without contacting the measured medium. It is a new generation of ultrasonic level gauge with completely independent property rights of our company.

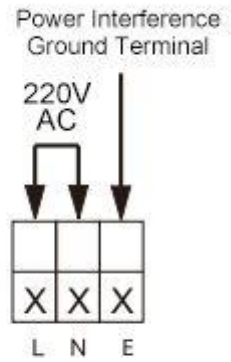
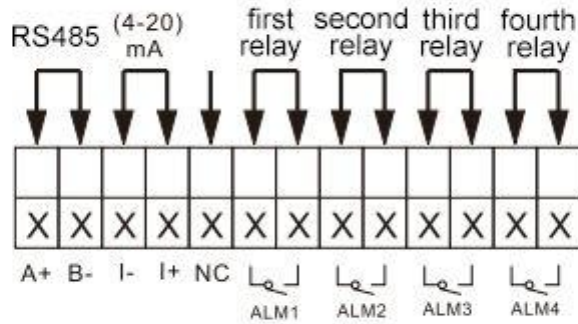
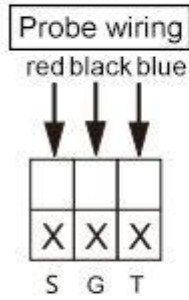
Product Principle

PCU03 utilizes the reflection of ultrasonic waves when encountering the interface of liquid media (solid media) of different densities, and measures the liquid level/distance by measuring the transit time.

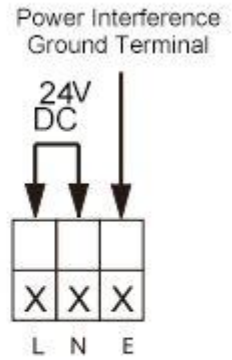
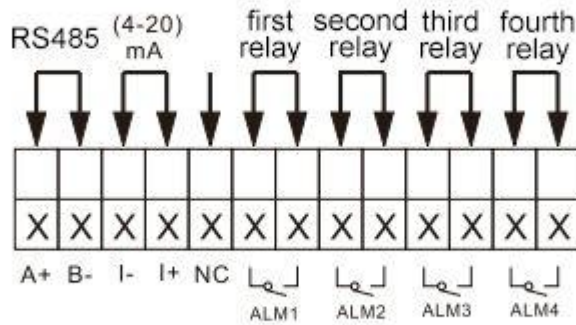
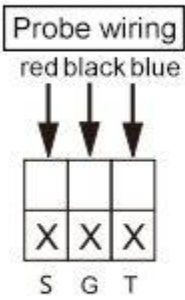
Notes:

- 1 Do not misuse documentation.
- 2 The information presented in this product sheet is for reference only. Do not use this document as a product installation guide.
- 3 Complete installation, operation, and maintenance information is provided in the instructions of the product.
- 4 Misuse of the product may cause danger or personal injury.

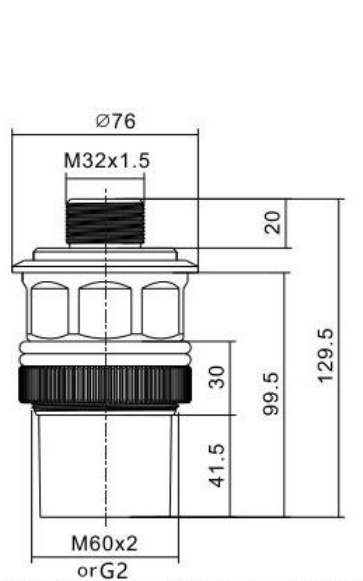
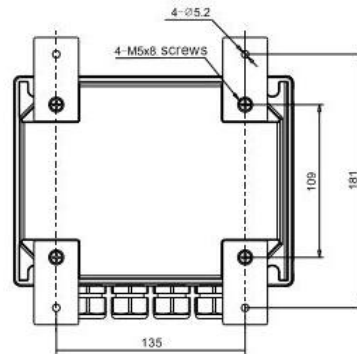
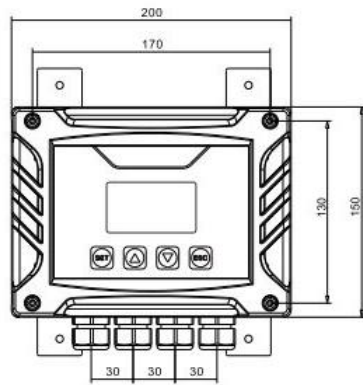
Performance parameters	
Product	5m,10m (Optional)
Model	≤0.35m
Measure range	8°(range 5m),10°(range 10m) 0.5%F.S
Blind zone	OLED
Accuracy	1mm or 0.1%FS
Display	14~28VDC
Output (optional)	5W
Measuring variable	5m,10m (Optional)
Power supply	4~20mA RL>500Ω (standard) RS485 2 relays (AC: 3A 250V)
Temperature range	-20~60℃
Humidity range	-20~70℃
Ingress protection	(10~85)% (no condensation)
Cable	Back light, dot matrix



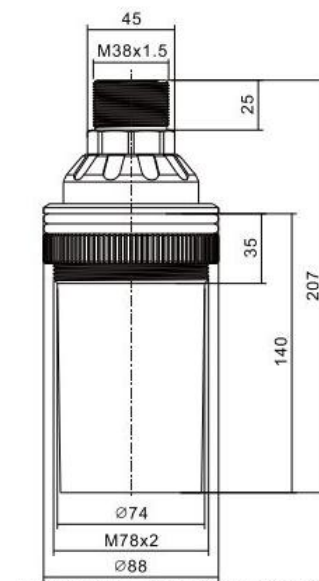
220V Power supply



24V Power supply

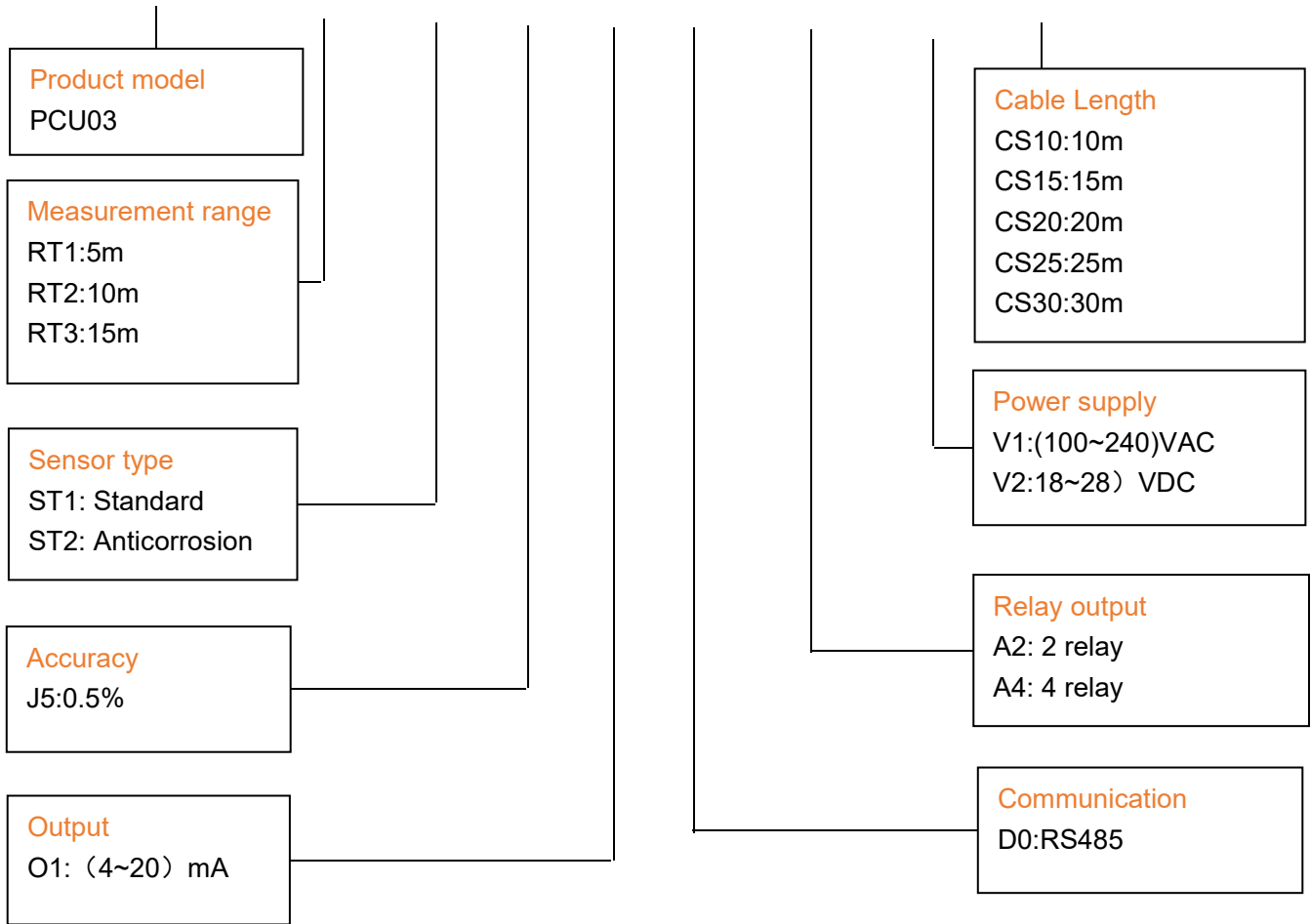


M60*2 Thread sensor(Remote type 5m/10m)



M78*2 Thread sensor(Remote type 15m)

PCU03 - RT1 - ST1 - J5 - O1 - D0 - A2 - V1 - CS10



Example: PCU03- RT1 ST1 J5 O1 D0 A2 V1 CS10

Product model: PCU03. RT1: Measurement range 5m. ST1: Sensor type Standard. J5:Accuracy 0.5%. O1: (4~20) mA Output. D0 :RS485 Communication. A2: 2 relay V1:Power supply(100~240)VAC. CS10:Cable Length 10m.

Wotian reserves the right to make any change in this publication without notice. The information provided is believed to be accurate and reliable as of this product sheet.

Contact us

Nanjing Wotian Technology Co.,Ltd.

Website: www.wtsensor.com

Add: 5 Wenying Road, Binjiang Development Zone, Nanjing, 211161, China

E-mail: dr@wtsensor.com