

PCEC02 Conductivity controller

Features

- Easy operation
- NEMA enclosure for field mounting and panel mounting
- Automatically Temperature Compensation
- Directly switchable to EC or TDS
- Large LC D display with background lighting
- EC or TDS sensors can be connected thanks to the sensor supply integrated in the output
- Using the setup program: user-friendly programming
- Data logging capacity
- 4-20mA analog output
- RS485 communication

Notes:

- 1 Do not touch the diaphragm with hard objects, which may cause damage to the diaphragm.
- 2 Please read the Instruction Manual of the product carefully before installation and check the relevant information of the product.
- 3 Strictly follow the wiring method for wiring; otherwise it may cause product damage or other potential faults.



Product overview

The PCEC02 is used in industrial measuring of the temperature, conductivity, Resistivity, salinity and total dissolved solids, such as waste-water treatment, environmental monitoring, pure water, sea farming, food production process, etc. The instrument can be panel, wall or pipe mounted. The instrument provides two current outputs. The maximum load is 500Ω. The instrument provides 3 relays. It can pass through a maximum of 5A/250VAC or 5A/30VDC.

Notes:

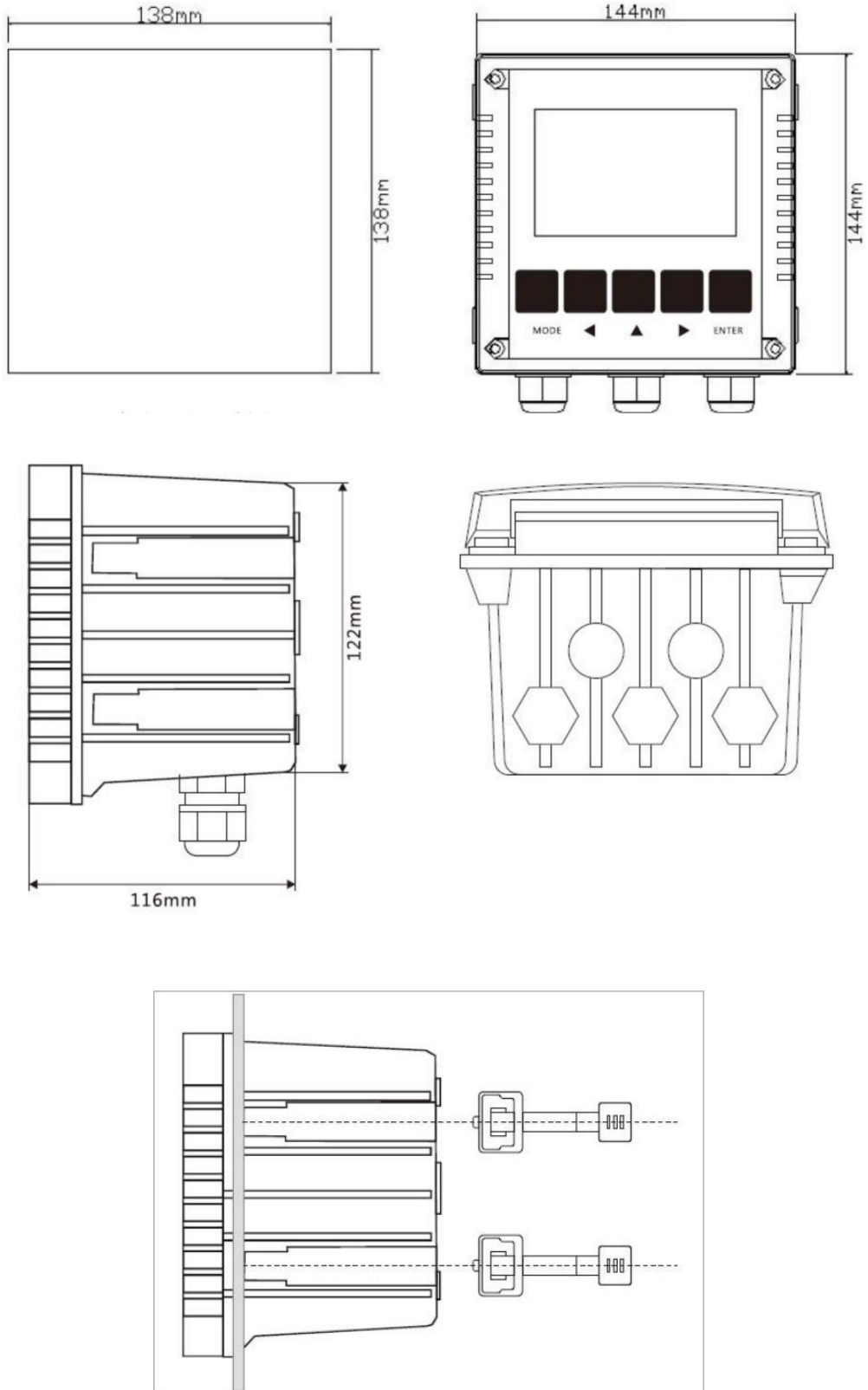
- 1 Do not misuse documentation.
- 2 The information presented in this product sheet is for reference only. Do not use this document as a product installation guide.
- 3 Complete installation, operation, and maintenance information is provided in the instructions of the product.
- 4 Misuse of the product may cause danger or personal injury.

Performance parameters

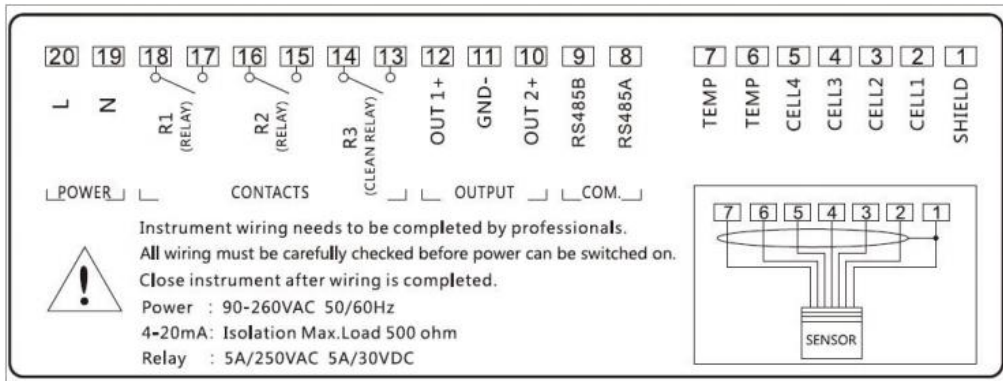
Functions	EC	TDS
Measuring range	0.00uS-2000mS	0-133000 ppm
Resolution	0.01/0.1/1	1
Accuracy	±1%F.S.	±1%F.S.
Temp. compensation	1mm or 0.1%FS	
Temp. range	Pt 1000/NTC30K	
Temp. compensation range	-10.0 to +130.0°C	
Temp. resolution	-10.0 to +130.0°C	
Temp. accuracy	0.1°C	
Cell constant	±0.2°C	
Ambient temperature range	0.001 to 20.000	
Storage temp.	0 to +70°C	
Display	-20 to +70°C	
EC current output1	Isolated, 4 to 20mA output , max. load 500Ω	
Temp. current output 2	Isolated, 4 to 20mA output , max. load 500Ω	
Current output accuracy	±0.05 mA	
RS485	Mod bus RTU protocol	
Baud rate	9600/19200/38400	
Maximum relay contacts capacity	5A/250VAC,5A/30VDC	
Cleaning setting	ON: 1 to 1000 seconds, OFF: 0.1 to 1000.0 hours	
One multi-function relay	clean/period alarm/error alarm	
Relay delay	0-120 seconds	
Data logging capacity	500,000	
Language selection	English/traditional Chinese/simplified Chinese	
Waterproof grade	IP65	
Power supply	From 90 to 260 VAC, power consumption < 7 Watts	
Installation	panel/wall/pipe installation	
Weight	144 series:0.85Kg	

Dimension

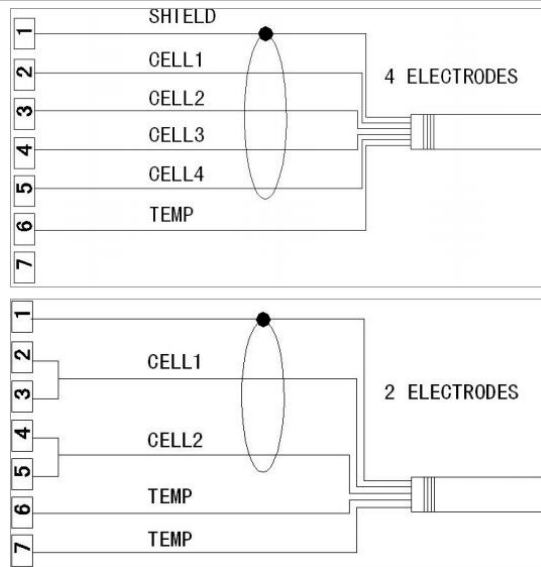
144 series: The instrument can be panel, wall or pipe mounted installation. Panel Installation: Make a 138x138 mm square cutout and insert the instrument. Screw in the fixed block with the screws and fixed bar.



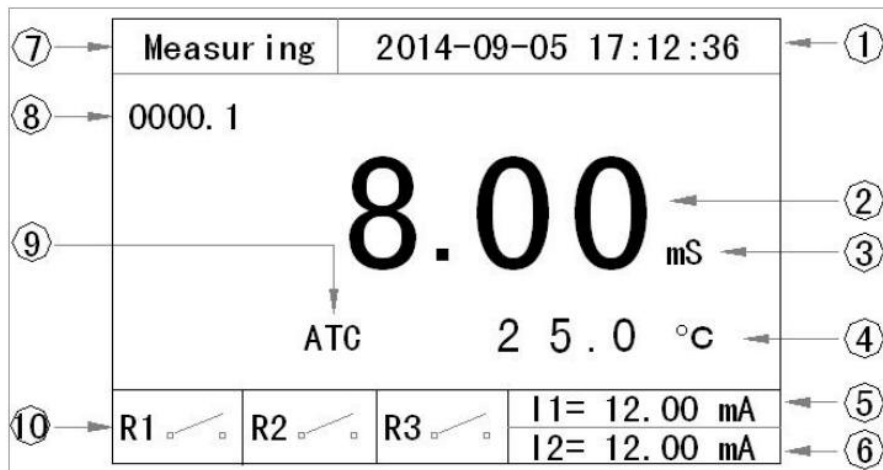
Installation figure



Connection label

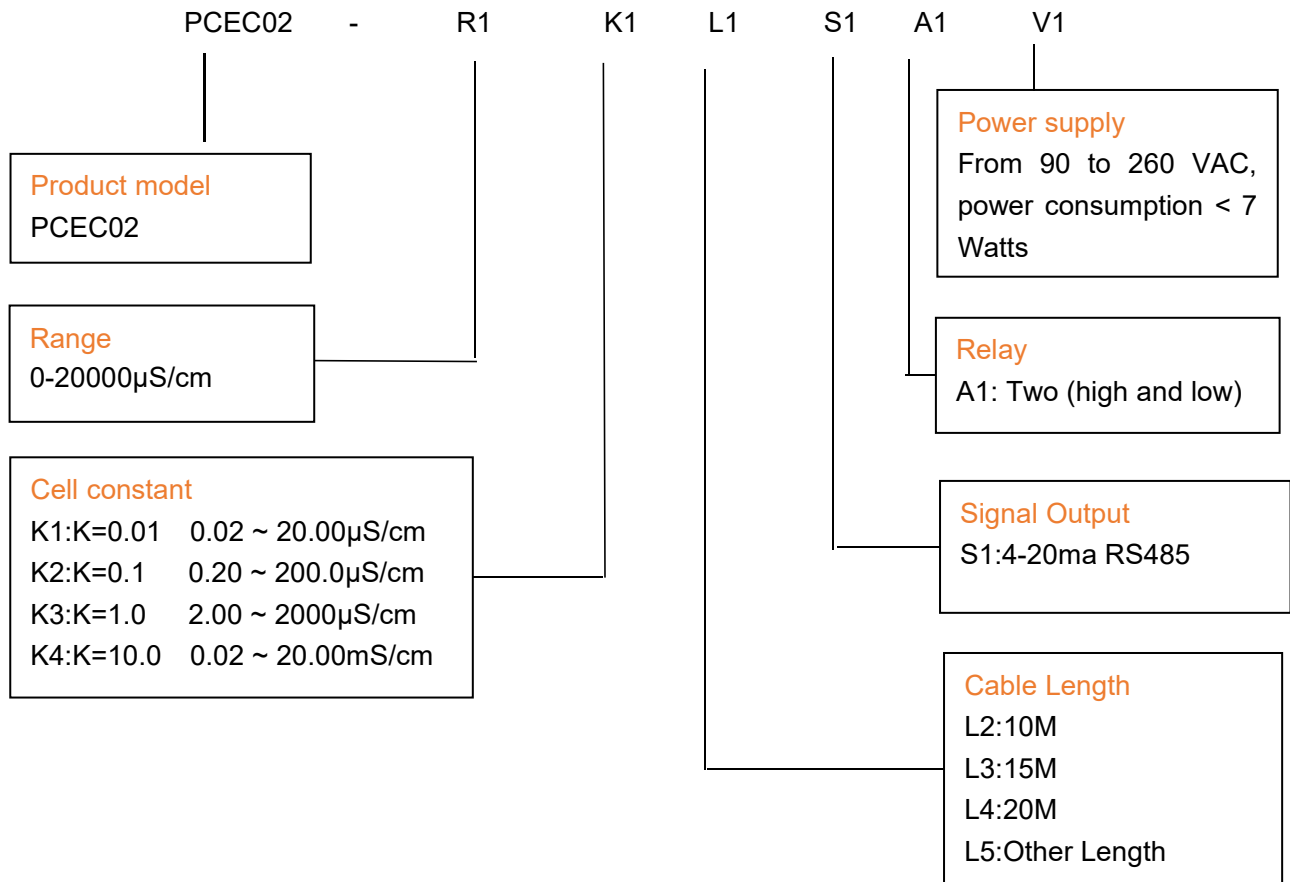


Electrode connection figure



- 1.Date and time
- 2.Main display
- 3.Unit
- 4.Temperature and unit
- 5.First current output
- 6.Second current output
- 7.Measurement status and Error indicator, there is no display if meter is in keeping mode
- 8.Count down timer: cycle time/clean time, it also displays the "delay" when relay3 has a delay enabled.
- 9.Temp. compensation: auto(ATC) or manual(MTC)
- 10.Relay indicator

Note: If the EC readings are over the range, it will display 99.99/999.9/9999 If the temperature readings are under or over the range, it will display -99.9/999.9.



Example: PCEC02 R1 K1 L1 S1 A1 V1

Product model: PCEC02. R1:Range0-20000µS/cm. K1: Cell constant K=0.01 0.02 ~ 20.00µS/cm. L1:Cable Length L1:5M. S1:Signal Output 4-20ma RS485 . A1:Two (high and low)Relay. V1:From 90 to 260 VAC, power consumption < 7 Watts.

Wotian reserves the right to make any change in this publication without notice. The information provided is believed to be accurate and reliable as of this product sheet.

Contact us

Nanjing Wotian Technology Co.,Ltd.

Website: www.wtsensor.com

Add: 5 Wenying Road, Binjiang Development Zone, Nanjing, 211161, China

E-mail: dr@wtsensor.com