

PCRC01 Residual Chlorine Meter

Features

- The electrode measurement is accurate and the response speed is fast
- LCD with backlight, easy and intuitive operation
- With automatic temperature compensation, pH manual compensation function
- Restore factory function to avoid data loss by misoperation
- Isolated 4-20mA standard signal can realize signal remote transmission
- Range can be switched manually
- A variety of calibration methods are convenient for on-site adjustment

Applications

- Secondary water supply
- Tap water
- Pool water
- Water works
- Agricultural drinking water

Notes:

- 1 Do not touch the diaphragm with hard objects, which may cause damage to the diaphragm.
- 2 Please read the Instruction Manual of the product carefully before installation and check the relevant information of the product.
- 3 Strictly follow the wiring method for wiring, otherwise it may cause product damage or other potential faults.
- 4 Misuse of the product may cause danger or personal injury.



Product overview

The residual chlorine meter has a built-in sensor, which has the characteristics of high measurement accuracy, fast response time and low maintenance cost. The residual chlorine meter outputs 4~20mA standard signal and RS485 signal, which can be connected to various regulators, and can be connected to two-position regulators, time proportional regulators, non-linear regulators and classic PID regulators according to requirements, which can be combined into various types. Residual chlorine control system.

Notes:

- 1 Do not misuse documentation.
- 2 The information presented in this product sheet is for reference only. Do not use this document as a product installation guide.
- 3 Complete installation, operation, and maintenance information is provided in the instructions of the product.
- 4 Misuse of the product may cause danger or personal injury.

Performance parameters

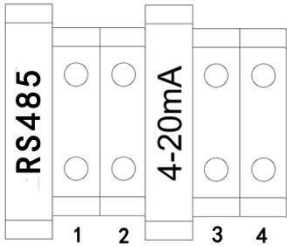
Residual chlorine meter

Display	7 inch touch screen
Protective box size	Dimensions: 400mm×300mm×200mm Window size: 155mm×87mm
Measuring range	Residual chlorine: (0~5) mg/L Temperature: (0.1~40.0)°C
Transmit output	(4~20)mA (optional)
Communication	MODBUS RS485
Load Resistance	≤750Ω
Environment humidity	≤95% no condensate
Power supply	220VAC
Ingress protection	IP43

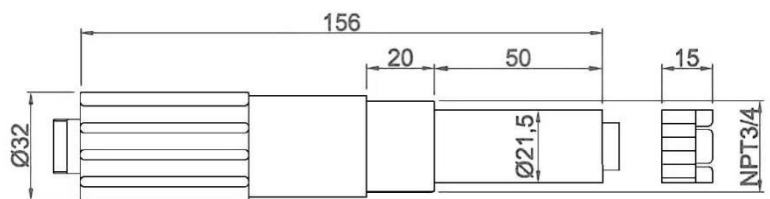
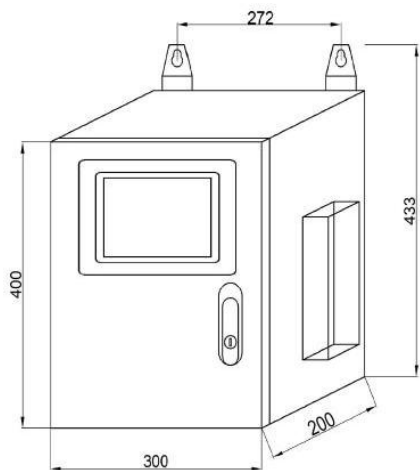
Residual chlorine electrode

Measurement content	HClO、ClO ₂
Measuring system	Microelectronics MEMS technology, special membrane structure
Measuring range	(0~5) mg/L
Accuracy	When ≤0.1mg/L, the absolute error is ±0.01mg/L; When ≥0.1mg/L, ±5% of the measured value or ±0.02mg/L (whichever is greater)
Resolution	0.01
Polarization time	When using for the first time, first pass water for 2 hours in chlorinated water, and then power on for half an hour.
Response time	Less than 30s after polarization is completed
Minimum conductivity	≥100us/cm, can not be used for ultrapure water
Operating temperature	(0~40)°C (non-condensing)
Temperature compensation	Pt1000 with built-in integrated automatic compensation
Max pressure	4bar
Recommended flow rate	≥0.03m/s in flow cell
pH range	(5~9) pH, below 5 will damage the membrane head
Maximum chlorine concentration	≥5ppm
Power supply	Standard 24V DC±2V; optional 12V DC±2V
Power consumption	1.56W
Digital communication	MODBUS RS485
Cable length	Standard 3 meters, others can be customized
Probe weight	210g
Thread size	NPT 3/4
Connection method	5-pin waterproof aviation plug
Moisture-proof material	PVC and Viton® O-ring seals

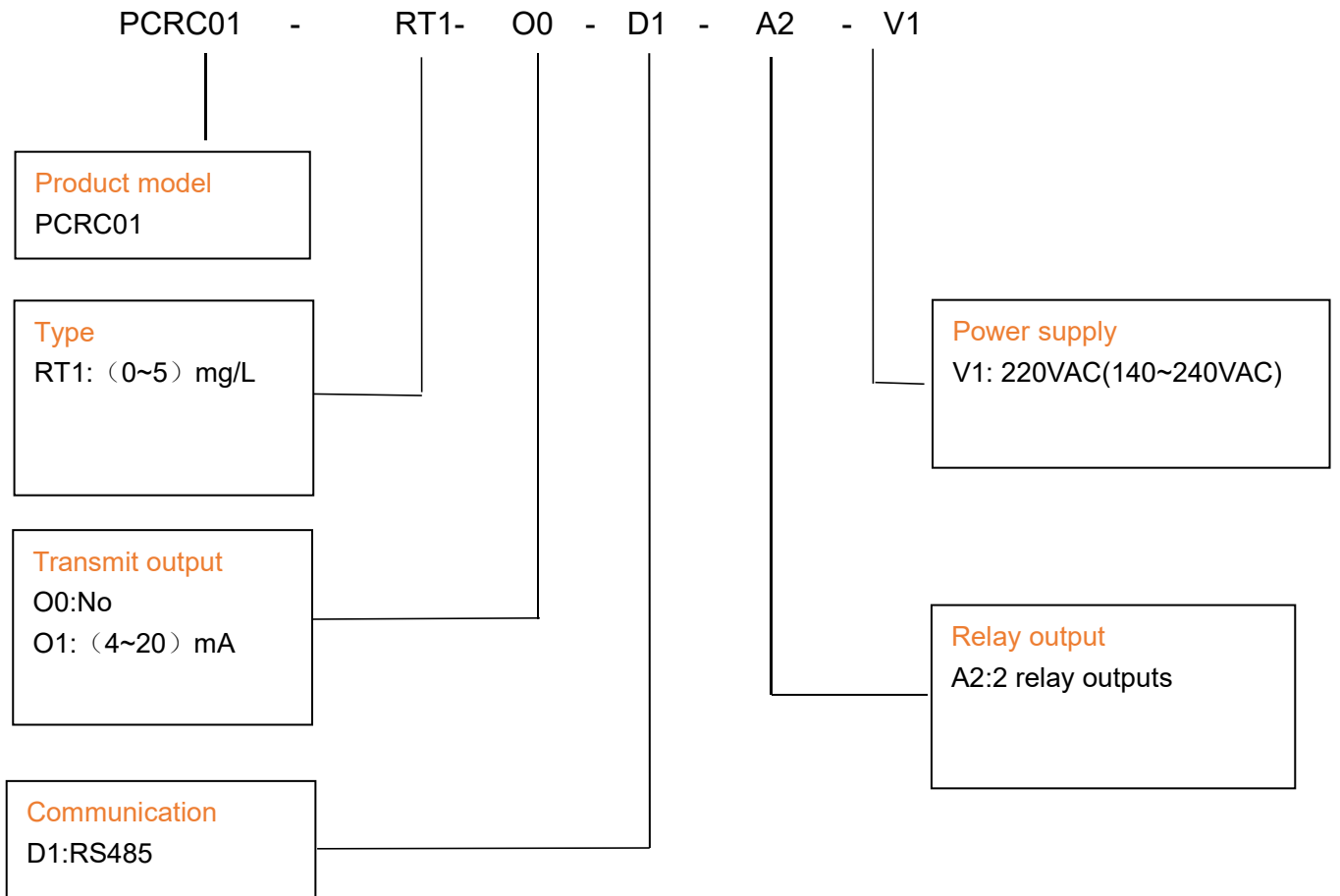
Wiring

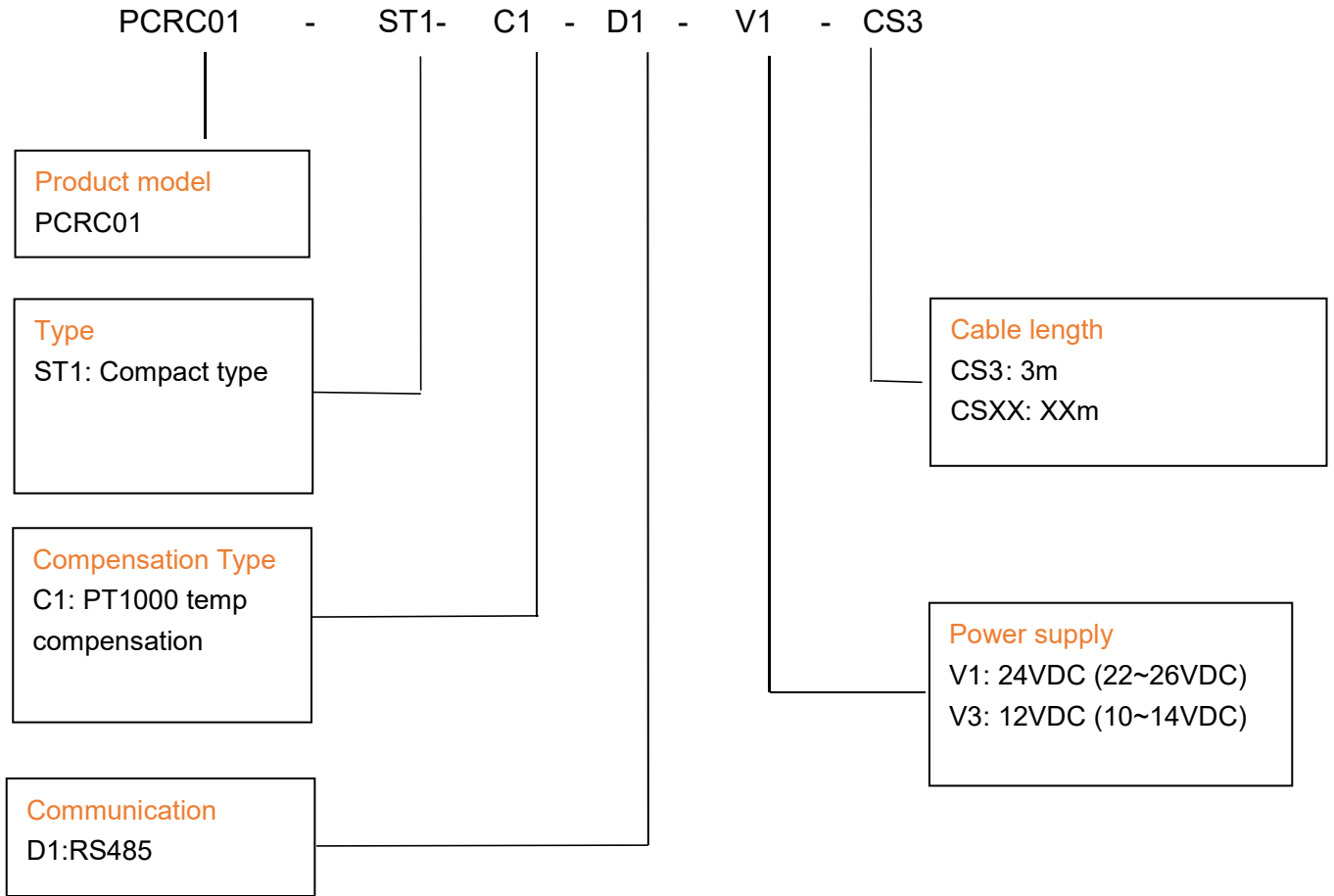
Residual chlorine meter wiring definition	1 --- RS485A 2 --- RS485B 3 --- 4-20 mA + 4 --- 4-20 mA -																			
Sensor Wiring Definition	<table border="1" style="width: 100%; border-collapse: collapse; text-align: center;"> <tr> <td style="width: 15%;">Core number</td> <td style="width: 15%;">1</td> <td style="width: 15%;">2</td> <td style="width: 15%;">3</td> <td style="width: 15%;">4</td> <td style="width: 15%;">5</td> </tr> <tr> <td>Sensor wire</td> <td>Red</td> <td>Black</td> <td>Yellow</td> <td>Green</td> <td>White</td> </tr> <tr> <td>Signal</td> <td>+24VDC</td> <td>-24VDC</td> <td>RS485 A</td> <td>RS485 B</td> <td>Ground wire</td> </tr> </table>	Core number	1	2	3	4	5	Sensor wire	Red	Black	Yellow	Green	White	Signal	+24VDC	-24VDC	RS485 A	RS485 B	Ground wire	
Core number	1	2	3	4	5															
Sensor wire	Red	Black	Yellow	Green	White															
Signal	+24VDC	-24VDC	RS485 A	RS485 B	Ground wire															

Dimension in mm



How to order





Wotian reserves the right to make any change in this publication without notice. The information provided is believed to be accurate and reliable as of this product sheet.

Contact us

Nanjing Wotian Technology Co.,Ltd.

Website: www.wtsensor.com

Add: 5 Wenying Road, Binjiang Development Zone, Nanjing, 211161, China

E-mail: dr@wtsensor.com