

Hirschmann Connector - HS

Features

- New design based on DIN43650 standard
- Meet European quality requirements
- Competitive price
- Appropriate built-in circuit selectable
- Anti-vibration design of screw thread

Application and industries

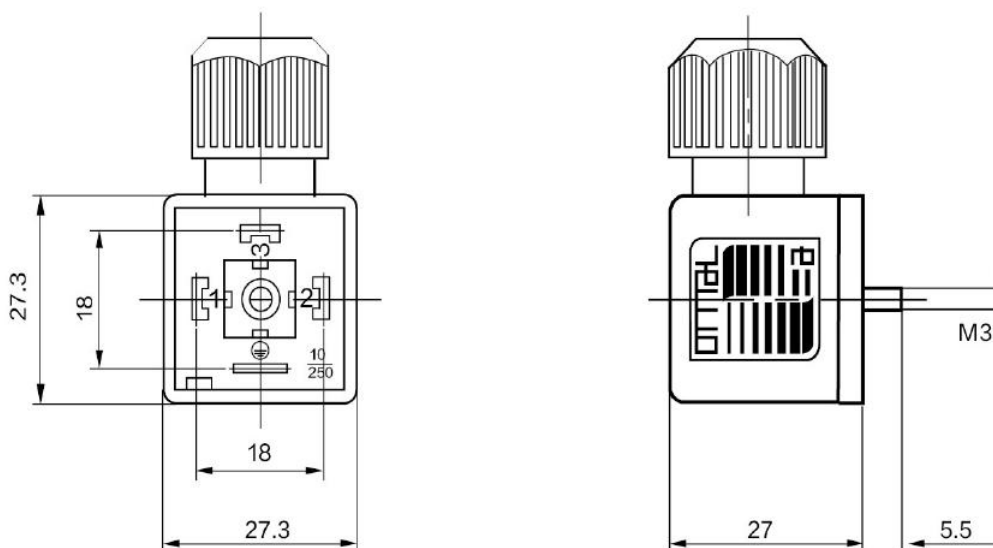
- Industrial pressure transmitter



Specifications

Housing	Black: PA+30%GF
Contact holder, gland nut	PA+30%FV/PA+30%GF
Cable diameter	5-10mm
Contact material	Cu Zn
Max current	16A
Operating current	10A
Max wire cross-section	1.5mm ²
Insulation class	C-VDE 0110
Working temp.	-40~125°C
Protection level	IP67

Drawing





Wotian reserves the right to make any change in this publication without notice. The information provided is believed to be accurate and reliable as of this product sheet.

Contact us

Nanjing Wotian Technology Co.,Ltd.

Website: www.wtsensor.com

Add: 5 Wenying Road, Binjiang Development Zone, Nanjing, 211161, China

E-mail: dr@wtsensor.com