

Hirschmann Connector - HT

Features

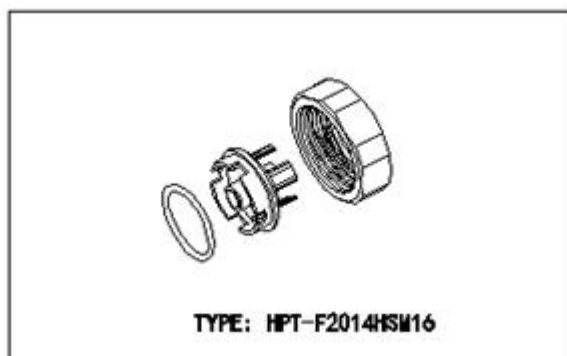
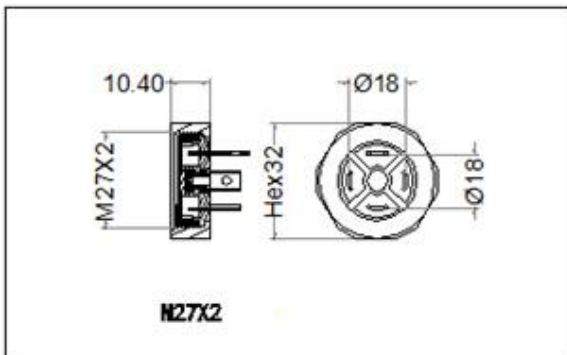
- New design based on DIN43650 standard
- Meet European quality requirements
- Competitive price
- Appropriate built-in circuit select-able
- Anti-vibration design of screw thread

Application and industries

- Industrial pressure transmitter



Specifications



Product description

Type	HPT316M16/BLACK
Number of contacts	3+PE
Cable gland	M16
Standard	DIN EN 175 301-803-A

Technical data

Rated voltage	UC250V
Rated current	16A
Contact resistance	<= 4mOhm
Type of termination	solder
Mounting	Screw

Environmental conditions

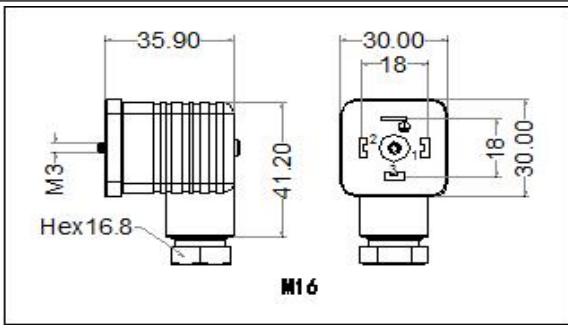
Protection class	IP 65 (gasket necessary)
Pollution severity	3
Temperature range	-40 °C ~ 125 °C

Inflammability class

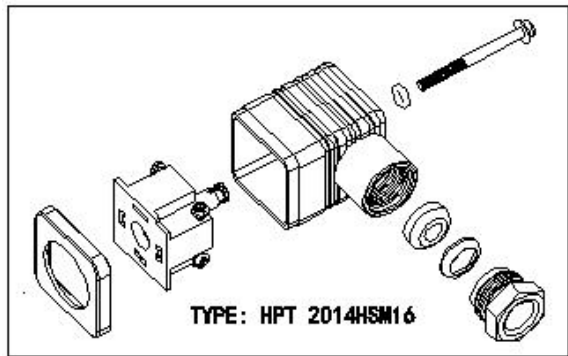
Contact beare	94HB
---------------	------

Packing unit

Packing unit	200 pieces
--------------	------------



Product description	
Type	HPT3016/BLACK
Number of contacts	3+PE
Cable gland	M16
Conductor size	Max. 1.5 mm ²
Standard	DIN EN 175 301-803-a
Housing color	Black

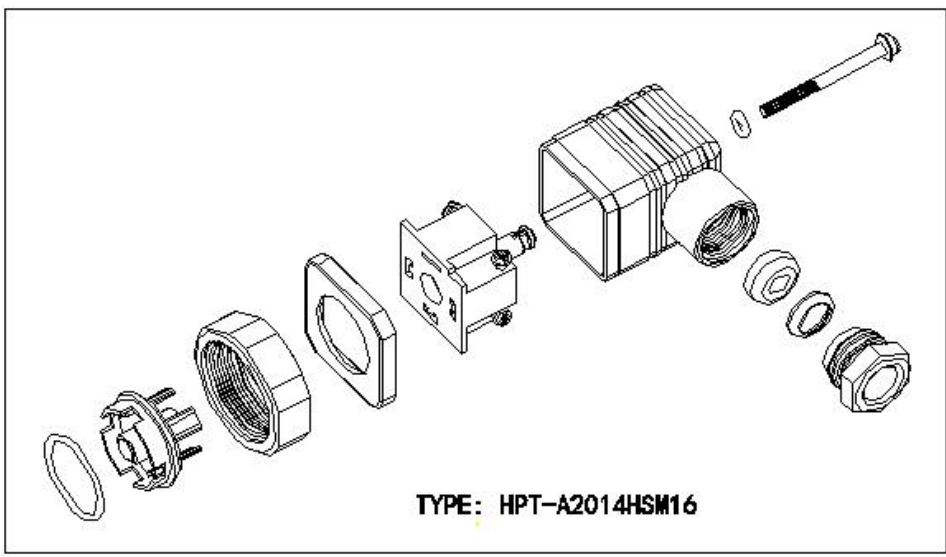


Technical data	
Pin dimensions	6.3mm*0.8mm
	4.8mm*0.8mm
Rated voltage	UC250V
Rated current	16A
Contact resistance	<=4mOhm
Type of termination	Screw
Suitable cables	4.5 mm to 10 mm diameter
Mounting	Central nut

Environmental conditions	
Protection class (IEC 60529)	IP 65 (gasket necessary)
Pollution severity	3
Temperature range	-40 °C ~ 125°C

Packing unit	
Packing unit	200 pieces

3D Assembly Drawing





Wotian reserves the right to make any change in this publication without notice. The information provided is believed to be accurate and reliable as of this product sheet.

Contact us

Nanjing Wotian Technology Co.,Ltd.

Website: www.wtsensor.com

Add: 5 Wenyong Road, Binjiang Development Zone, Nanjing, 211161, China

E-mail: dr@wtsensor.com