

PCEC01 Online Conductivity/Resistivity Controller

Features

- Integrated detection
- Strong anti-interference
- Temperature self compensation
- Intelligent anti-crash
- Water proof & dust proof
- Configuration protection
- Wide compatibility of medium

Applications

- Water and fertilizer integration equipment
- Pure water /RO water treatment
- Waste absorber



Product overview

PCEC01 Conductivity/Resistivity (EC/TDS) Controller is one of the intelligent on-line chemical analyzer which uses multi-functional integration technology. It is widely applied in continuous monitoring and measurement of EC value or TDS value in the industry of thermal power, chemical engineering and fertilizer, metallurgy, environment protection, pharmacy, biochemistry, food and tap water as well as other solution.

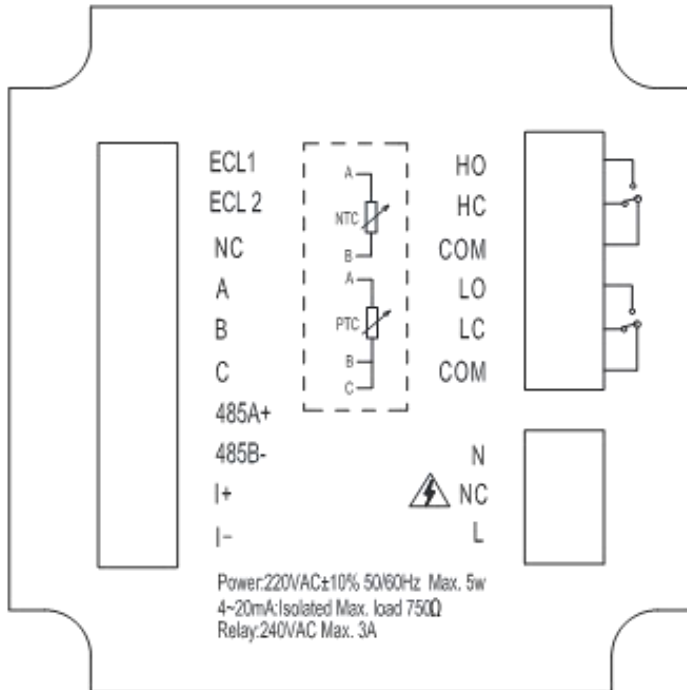
Notes:

- 1 Do not misuse documentation.
- 2 The information presented in this product sheet is for reference only. Do not use this document as a product installation guide.
- 3 Complete installation, operation, and maintenance information is provided in the instructions of the product.
- 4 Misuse of the product may cause danger or personal injury.

Technical Indicators

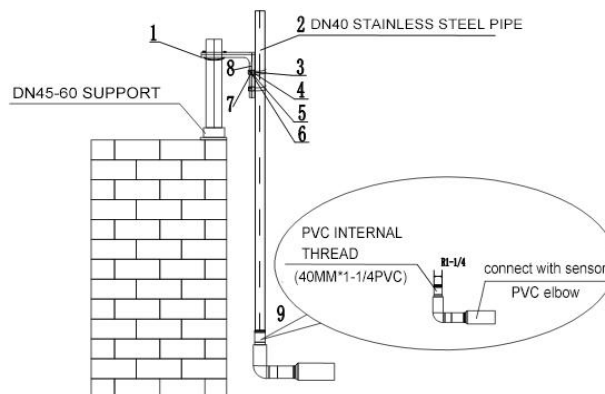
Measuring range	0.01 electrode: 0.02~20.00 μ S/cm 0.1 electrode: 0.20~200.0 μ S/cm 1.0 electrode: 2.00~2000 μ S/cm 10.0 electrode: 0.02~20.00mS/cm For extended range controller: 0.01 electrode: 0.20~200.0 μ S/cm 0.1 electrode: 2.00~2000 μ S/cm 0.1 electrode: 0.02~20.0mS/cm 10.0 electrode: 0.20~200.0mS/cm
Measuring variables	EC/TDS/Resistivity
Accuracy	EC/TDS/Resistivity: $\pm 1\%$ FS NTC10K: (-10~5 $^{\circ}$ C) $\pm 2^{\circ}$ C; (5~60 $^{\circ}$ C) $\pm 0.2^{\circ}$ C; (60~130 $^{\circ}$ C) $\pm 2^{\circ}$ C PT1000: (-10~5 $^{\circ}$ C) $\pm 2^{\circ}$ C; (5~130 $^{\circ}$ C) $\pm 0.2^{\circ}$ C
Stability	$\pm 1\%$ FS/24H
Temperature compensation	Manual / automatic compensation NTC10K or PT1000 temperature offset
Temperature measuring range	-10 $^{\circ}$ C-130 $^{\circ}$ C
Operating temperature	0~60 $^{\circ}$ C
Storage conditions	Temperature: -15~65 $^{\circ}$ C Relative humidity: 5~95%RH (No condensation)
Output	4~20mA output maximum loop ;750 Ω , $\pm 0.2\%$ FS
Alarm relay	Pickup/Breakaway AC250V/3A
Relative humidity	10~85%RH(No condensation)
Power supply	220VAC $\pm 10\%$ 50Hz/60Hz
Relay out	Pickup/Breakaway AC250V/3A
Dimension	Overall dimension: 100mm*100mm*150mm(H*W*D) Cutout dimension: 92.5mm*92.5mm(H*W)
Screen size	2.8 inch
Weight	0.65Kg
Protection	IP54

Instrument wiring



- ECL1: Measuring
- ECL2: Reference
- NC: Unidentified COM: common
- HO: High alarm normally open
- HC: High alarm normally closed
- COM: High alarm common terminal
- LO: Low alarm normally open
- LC: Low alarm normally closed
- COM: Low alarm common terminal
- N: AC220V neutral wire
- NC: Unidentified L: AC220V live wire

Instrument installation





Wotian reserves the right to make any change in this publication without notice. The information provided is believed to be accurate and reliable as of this product sheet.

Contact us

Nanjing Wotian Technology Co.,Ltd.

Website: www.wtsensor.com

Add: 5 Wenyong Road, Binjiang Development Zone, Nanjing, 211161, China

E-mail: dr@wtsensor.com