

# Glass to metal seal

## PC-GS01-Pressure Sensor Headers

### Features

- Good insulation performance: could reach 500V/500MΩ
- High air-sealed: could reach  $\leq 1 \times 10^{-9} \text{Pa} \cdot \text{m}^3/\text{s}$
- Excellent environmental resistance: acid and alkali resistant, high durability
- Anti-high and low temperature: the device could work normally when the operation temperature is from  $-55^\circ\text{C} \sim 150^\circ\text{C}$
- Customized service according to specific requirements is available

### Applications

- Industrial measurement and control
- Pressure calibration instrument
- Aerospace
- Automotive electronics
- Hydropneumatic equipment
- Medical instrument
- Flow measurement
- Aerodynamic measurement



### Product overview

Using 304,304L, 316, 316L, 4J50, Kevlar alloy, Hashi alloy and other materials processing, through the glass shell and the pin for packaging, so as to achieve the silver needle and the shell insulation and sealing requirements.

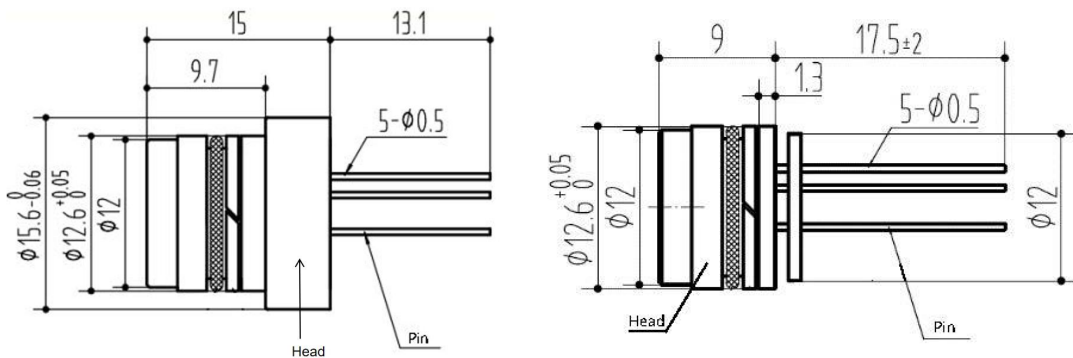
#### Notes:

- 1 Do not misuse documentation.
- 2 The information presented in this product sheet is for reference only. Do not use this document as a product installation guide.
- 3 Complete installation, operation, and maintenance information is provided in the instructions of the product.
- 4 Misuse of the product may cause danger or personal injury.

### Specification

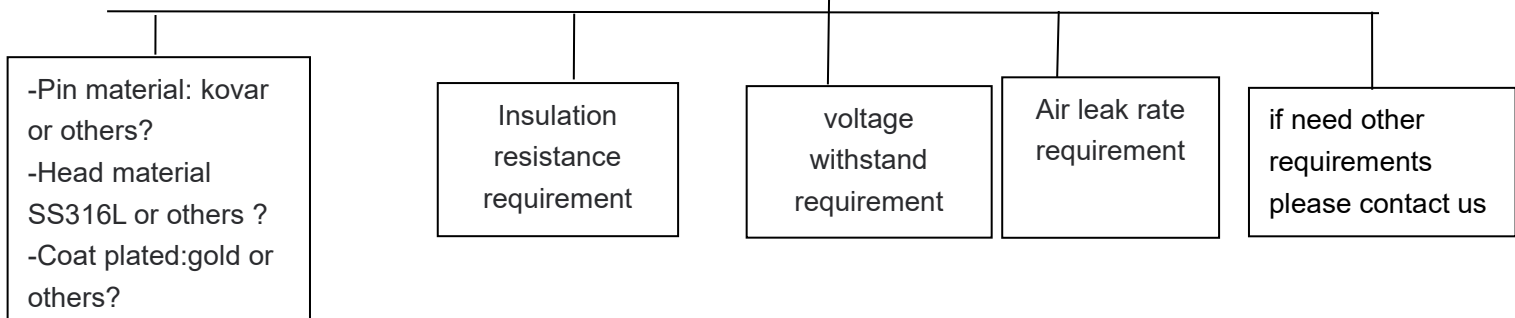
Insulation resistance	1000MΩ $\geq$ 500V
Seal	$1 \times 10^{-10} \text{Pa} \cdot \text{m}^3/\text{s}$
Operating temperature	$-55^\circ\text{C} \sim 300^\circ\text{C}$
Withstand pressure	100 MPa
Pin plating	gold (available)

**Drawing and Dimension (in mm)**



**How to order**

**PC-GS01 -pressure sensor headers**



Wotian reserves the right to make changes to any product in this publication without notice. The information we supply is believed to be accurate and reliable as of this printing.

**Contact us**

Nanjing Wotian Technology Co.,Ltd.

Website: [www.wtsensor.com](http://www.wtsensor.com)

Add: 5 Wenying Road, Binjiang Development Zone, Nanjing, 211161, China

E-mail: [dr@wtsensor.com](mailto:dr@wtsensor.com)