

PCM113 Pressure Transmitter

Features

- Specialized pressure measurement
- Glass micro solution technology, integrated structure
- Full temperature zone compensation
- Easy to operate, small in size, and easy to install
- Explosion proof circuit design
- Wide working temperature range

Applications

- Automotive air conditioning
- Automotive braking, oil fields and pressure monitoring of onboard CNG pressure tanks.

Notes:

- 1 Do not touch the diaphragm with hard objects, which may cause damage to the diaphragm.
- 2 Please read the Instruction Manual of the product carefully before installation and check the relevant information of the product.
- 3 Strictly follow the wiring method for wiring, otherwise it may cause product damage or other potential faults.
- 4 Misuse of the product may cause danger or personal injury.



Product overview

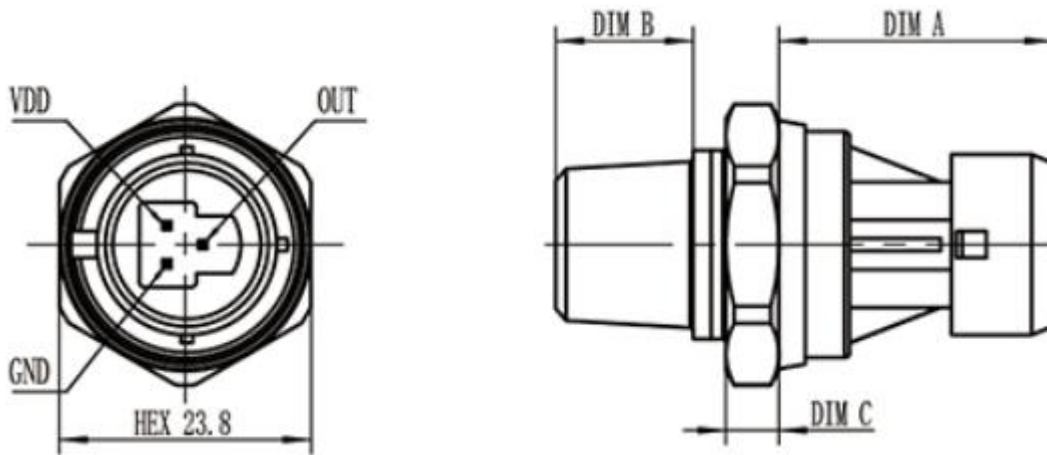
The pressure seat of the PCM113 transmitter is processed using a 17-4PH stainless steel single piece integrated structure. The integrated stainless steel structure makes its overload performance much higher than commonly used sensor materials such as ceramics and diffused silicon. The pressure connection has no welds, no silicone oil or other organic substances, and good sealing performance. The sensitive components of the sensor adopt glass micro melting technology, which greatly improves the high temperature and vibration resistance of the sensor, ensuring the long-term stability, reliability, and durability of the transmitter in harsh industrial environments. In the standard purification production process, all parameters are strictly controlled, and the entire product has undergone strict testing and aging screening of components, semi-finished products, and finished products, with stable and reliable performance.

The PCM113 pressure transmitter can be widely used in fields such as automotive air conditioning, braking, oil, and pressure monitoring of onboard CNG pressure tanks.

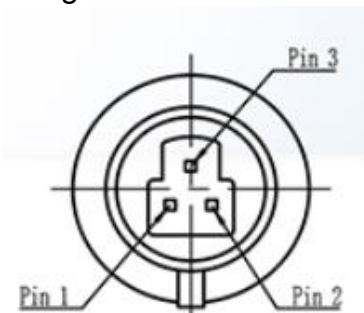
Performance parameters

Pressure range	0~1MPa, 3.5Mpa, 7Mpa,10Mpa,20Mpa, 40Mpa,70Mpa
Pressure reference	Gauge pressure
Power Supply	5VDC/9 ~ 30VDC
Output	4~20mA, 0.5~4.5V
Accuracy	±1%FS
Ambient temperature	25℃
Insulation impedance	250VDC/100M Ω
Overpressure	200%FS
Burst pressure	500%FS
Pressure Cycling	1000000 cycles
Long term stability	±0.25%FS/year
Compensation temperature	-20 ~ 85℃
Operating Temp.	-40 ~ 140℃
Storage Temp.	-50 ~ 150℃
Vibration	20g
Impact	(11ms) 100g
Note	Special requirements can be customized

External dimensions:



Wiring Definitions:





1-5V	Pin 1	Vcc
0.5-4.5V	Pin 2	GND
	Pin 3	Vout

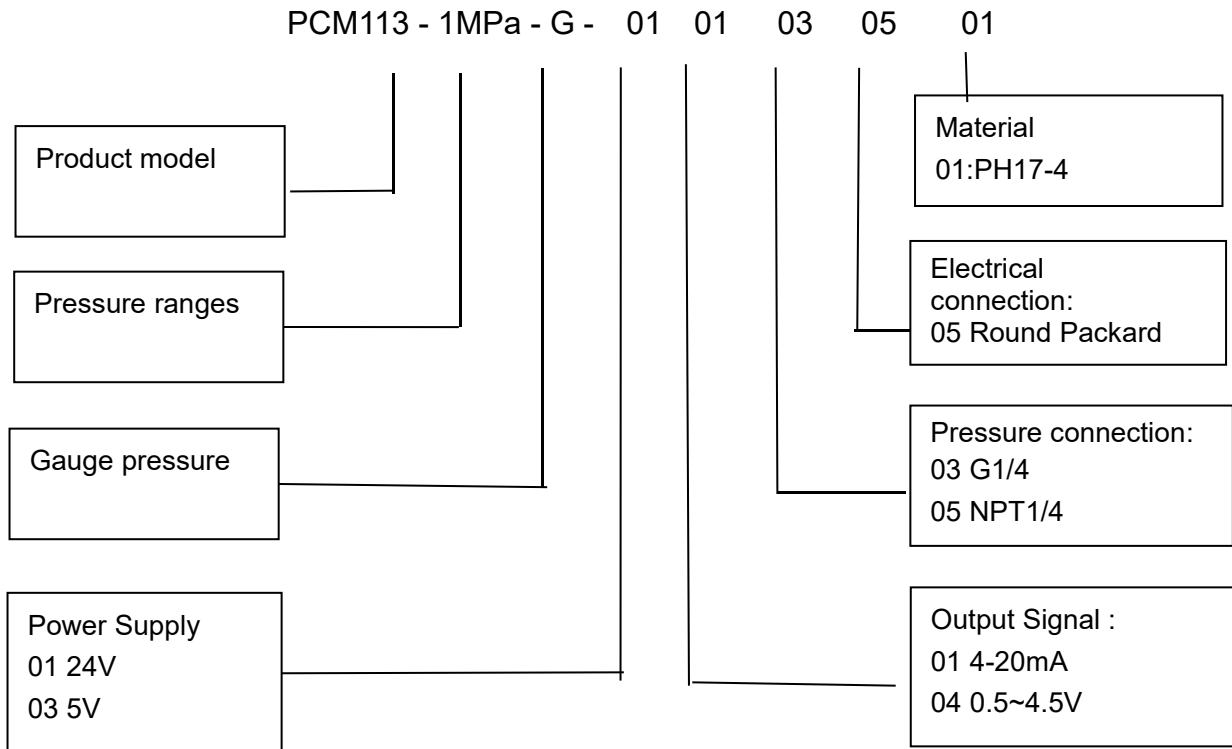
Selection of Electrical Connection

Series	Code	Electrical Connection	DIM A (mm)
PCM113	05	Round Packard	27

Selection of Pressure connection

Series	Code	Pressure Connection	DIM B (mm)	DIM C (mm)
PCM113	03	G1/4	13	5
	05	NPT1/4	13	5

How to order





PCM113-1MPa-G-01-01-03-05-01, product model is PCM113, pressure reference is gauge pressure, power supply is 24V, output signal is 4-20mA, pressure connection is G1/4, Electrical connection: Round Packard, Material is PH17-4

Ordering tips

- 1.Ensure compatibility between measured media and contacting part of product.
- 2.For special requirements on the appearance and performance parameters, customization is available.

Wotian reserves the right to make any change in this publication without notice. The information provided is believed to be accurate and reliable as of this product sheet.

Contact us

Nanjing Wotian Technology Co.,Ltd.

Website: www.wtsensor.com

Add: 5 Wenyong Road, Binjiang Development Zone, Nanjing, 211161, China

E-mail: dr@wtsensor.com