

PCM340 Process Control Pressure Sensor for The Pump Industry

Features

- Integrated structural design, no leakage hazards and digital circuit processing
- Excellent anti-impact, anti-overload, anti-vibration, anti-interference design
- Small size, light weight, long-term stability
- Multiple process and appliance connection options
- Suitable for mass production, economical and reliable
- Multiple thread configuration
- Isolated construction, suitable for a variety of fluid media

Applications

- Pump compressor industry
- Tap water test system
- Fire monitoring and warning
- Urban water supply

Notes:

- 1 Do not touch the diaphragm with hard objects, which may cause damage to the diaphragm.
- 2 Please read the Instruction Manual of the product carefully before installation and check the relevant information of the product.
- 3 Strictly follow the wiring method for wiring; otherwise it may cause product damage or other potential faults.
- 4 Misuse of the product may cause danger or personal injury.



Product Overview

This series of sensors is a group of sensors developed by our company for pumping station and water treatment system applications, all stainless steel structure, good shock resistance, a variety of output interfaces

Notes:

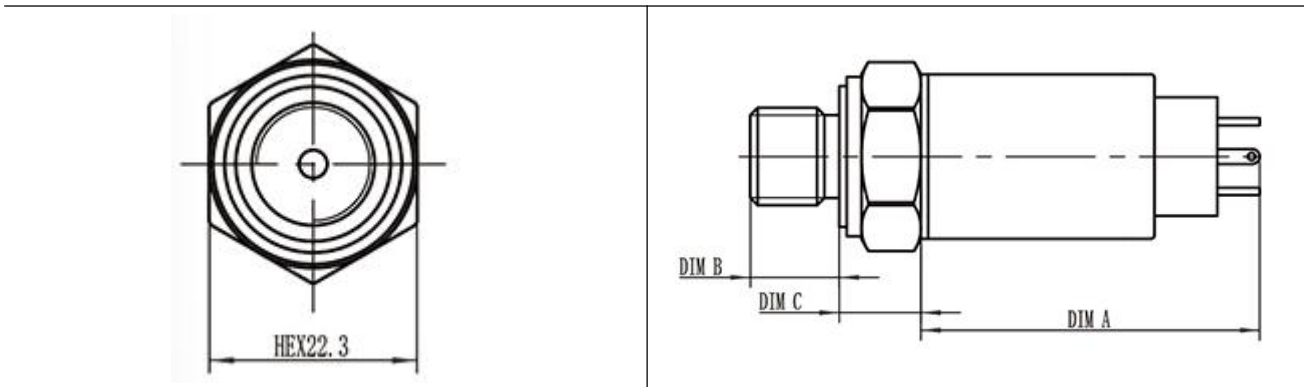
- 1 Do not misuse documentation.
- 2 The information presented in this product sheet is for reference only. Do not use this document as a product installation guide.
- 3 Complete installation, operation, and maintenance information is provided in the instructions of the product.
- 4 Misuse of the product may cause danger or personal injury.

Performance parameters

Reference ambient temperature	25 °C
Burst pressure	500%
Over accuracy	± 1%FS
Working life	≥ 1000000 (Full pressure cycle)
Total error	± 1.5 %FS
Vibration	10g(50~2000Hz)
Operation temperature	-20°C ~ 85°C
Falling	1.5m
Storage temperature	-50°C ~ 150°C
Response time	≤ 10ms
Overload pressure	200%
Protection level	IP65

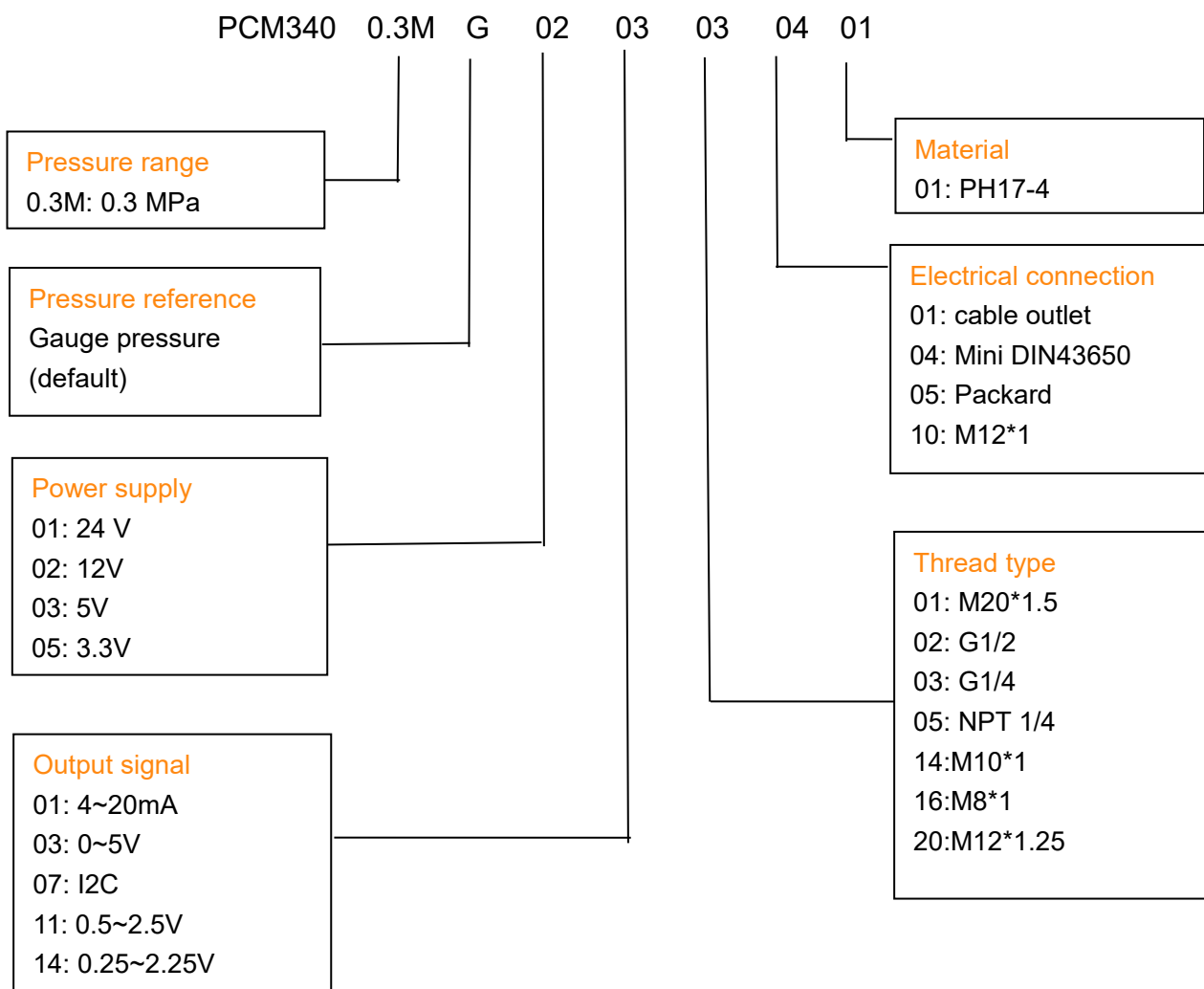
Structure and dimensions

In mm



Pressure range selection

Code	Pressure range
0.3M	0.3MPa
0.4M	0.4MPa
0.5M	0.5MPa
0.6M	0.6MPa
0.7M	0.7MPa
1M	1MPa
1.6M	1.6MPa
2M	2MPa
2.5M	2.5MPa
3.5M	3.5MPa
5M	5MPa



For example: PCM340-3MG0203030401

The product model is PCM340, 0.3M: pressure range 0.3MPa, Pressure reference: Gauge (by default), 02: power supply 12V, 03: output signal: 0~5v, 03: thread type G1/4, 04: electrical connection mini DIN43650, 01: material PH17-4(by default)

Wotian reserves the right to make any change in this publication without notice. The information provided is believed to be accurate and reliable as of this product sheet.

Contact us

Nanjing Wotian Technology Co.,Ltd.

Website: www.wtsensor.com

Add: 5 Wenying Road, Binjiang Development Zone, Nanjing, 211161, China

E-mail: dr@wtsensor.com