

PCM107 Urea Pump Product Pressure Sensor

Features

- O-ring Sealing
- Accuracy $\pm 0.5\%$
- Total Error ± 2.0

Applications

- Test urea pressure inside the truck

Notes:

- 1 Do not touch the diaphragm with hard objects, which may cause damage to the diaphragm.
- 2 Please read the Instruction Manual of the product carefully before installation and check the relevant information of the product.
- 3 Strictly follow the wiring method for wiring; otherwise it may cause product damage or other potential faults.
- 4 Misuse of the product may cause danger or personal injury.



Overview

The product is a small mounted piezoresistive pressure sensor, 316L stainless steel package, plastic housing and connection head, O-ring seal, which suit for various kinds of medium pressure applied to the steel diaphragm transmitted to the pressure chip through silicone oil. It suits for high precision, small range applications, temperature compensation, deviation correction and amplification functions (0.5V to 4.5V output). The sensor is CE certified and designed and produced according to TS16949 standard.

Notes:

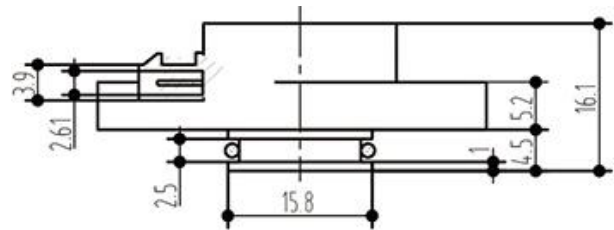
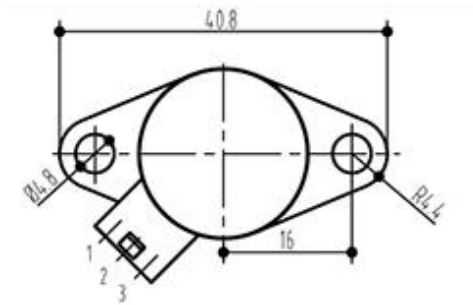
- 1 Do not misuse documentation.
- 2 The information presented in this product sheet is for reference only. Do not use this document as a product installation guide.
- 3 Complete installation, operation, and maintenance information is provided in the instructions of the product.
- 4 Misuse of the product may cause danger or personal injury.

Performance parameters

Reference ambient temperature	25 °C
Pressure range	12 Bar A
Over voltage	16V
Power Supply	5±0.025 VDC
Temperature drift	2.0% SPAN
Backward Voltage	16V
Over pressure	200%
Working temp.	-40°C ~ 105°C
Radio frequency immunity testing	30V/m, 20MHz to 3.2GHz
Burst pressure	300%
Storage temperature	-50°C ~ 150°C
Conductive anti-interference	Power2KV, Signal line 1KV
Zero output	0.5V
Response time	4±2ms
Electrostatic protection	15KV(air discharge) 8KV(contact discharge)
Output SPAN	4.0 V
Yearly drift	-1.5~+1.5%SPAN

Structure and dimensions

In mm



Pressure range selection

Pressure range(Psi)	Output range
100	0.4~0.8 MPa
250	1~2 MPa
500	2.5~4 MPa
1K5	5~8 MPa
3K5	9~20 MPa
5K0	21~35 MPa
7K5	36~45 MPa
10K	36~45 MPa
15K	71~100 MPa



Wotian reserves the right to make any change in this publication without notice. The information provided is believed to be accurate and reliable as of this product sheet.

Contact us

Nanjing Wotian Technology Co.,Ltd.

Website: www.wtsensor.com

Add: 5 Wenyong Road, Binjiang Development Zone, Nanjing, 211161, China

E-mail: dr@wtsensor.com