

PCM311 Oxygen Concentrator Dedicated Pressure Sensor

Features

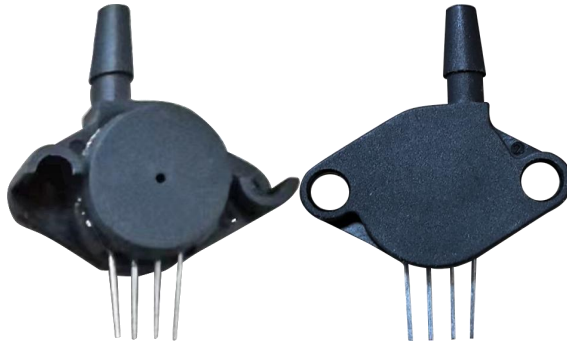
- Stable performance and high reliability
- 0.25%FSS high accuracy
- 0-200KPa pressure ranges
- Widely used in the field of medical instruments
- 18 months warranty period

Applications

- Medical instruments
- Medical breathing
- Oxygen concentrator

Notes:

- 1 The port is not compatible with liquids.
- 2 Prevent the accumulation of particulate matter inside the sensor, causing damage or affecting the sensor output.
- 3 It is recommended to place the sensor with Port 1 facing downwards; This placement can reduce the possibility of all particulate matter entering or depositing inside the pressure sensor in the system.
- 4 Failure to follow these instructions may result in product damage..



Product overview

This product has stable performance, high reliability, and can completely replace imported products such as Honeywell. It is widely used in the field of medical instruments such as oxygen concentrator and has been supplied in bulk to well-known domestic enterprises such as Yuyue Medical.


Notes:

- 1 Do not misuse documentation.
- 2 The information presented in this product sheet is for reference only. Do not use this document as a product installation guide.
- 3 Complete installation, operation, and maintenance information is provided in the instructions of the product.
- 4 Misuse of the product may cause danger or personal injury.

Performance parameters

Characteristics	Min	Normal	Max	Unit
Pressure ranges	0	/	200	KPa
Power supply voltage	/	10.0	16	VDC
Power supply current	/	/	1.5	mA
Zero output	-0.5	0	0.5	mV
Full span output	38.5	40	41.5	mV
Operating temp.	-40	/	85	°C
Compensation temp.	0	/	50	°C
Zero temp. drift	-1	/	1	mV
Sensitivity temp. drift	-2	/	2	%FSS
Accuracy	/	±0.25	/	%FSS BFSL
Response time	/	1	/	ms
Output impedance	2	3.3	5	kΩ
Input impedance	30	40	50	kΩ

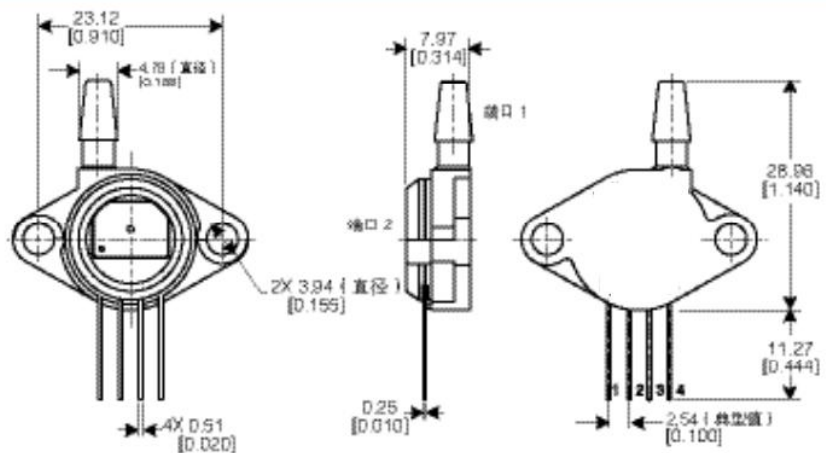
Pin electrical definition method

	Pin 1	Pin 2	Pin 3	Pin 4
	Output+	Power+	Output-	Power-

External dimensions:

SIP HN: 紧固件安装,
单径向带刺端口

SIP HN: Fastener Installation
Single radial barbed port





—

Wotian reserves the right to make any change in this publication without notice. The information provided is believed to be accurate and reliable as of this product sheet.

Contact us

Nanjing Wotian Technology Co.,Ltd.

Website: www.wtsensor.com

Add: 5 Wenying Road, Binjiang Development Zone, Nanjing, 211161, China

E-mail: dr@wtsensor.com