

PCM350K (WTR11) Flush Pressure Transmitter with Tri Clamp

Features

- The pressure connection adopts 316L flat diaphragm structure
- Sanitary type, anti-scaling
- Wide pressure range, can measure the absolute pressure, gauge pressure and sealed pressure
- Well sealed, can ensure long-term stable work
- With the cooling fan design, excellent high temperature medium application performance
- Optional multiple kinds of output signals, can be customized according to the customer's requirements

Applications and industries

- Medicine and health, food, wine-making, milk, beverage and other viscous and easily plugged situations with high sanitary and convenient cleaning requirements
- Environmentally friendly chemical industry coating, polyurethane equipment, paint inspection system etc.

Notes:

- 1 Do not touch the diaphragm with hard objects, which may cause damage to the diaphragm.
- 2 Please read the Instruction Manual of the product carefully before installation and check the relevant information of the product.
- 3 Strictly follow the wiring method for wiring, otherwise it may cause product damage or other potential faults.
- 4 Misuse of the product may cause danger or personal injury.



Product overview

PCM350K Clamp Type adopts the flat diaphragm to directly sense the pressure signal, and takes the diffuse silicon pressure sensor as the sensitive element; the built-in processing circuit transforms the sensor millivolt signal into the standard voltage, current, frequency signal outputs; can directly connect to the computer, control instrument, display instrument etc. Can ensure remote signal transmission.

When PCM350K clamp end face is under pressure, the diaphragm is exposed to directly sense the pressure, which prevents the problems such as scaling, insanitation and viscous pressure blocking etc.; it is widely applied in the sanitary type industries such as food, medicine, wine-making etc., for the pressure test under the situation that the measurement medium may scale.

Notes:

- 1 Do not misuse documentation.
- 2 The information presented in this product sheet is for reference only. Do not use this document as a product installation guide.
- 3 Complete installation, operation, and maintenance information is provided in the instructions of the product.
- 4 Misuse of the product may cause danger or personal injury.

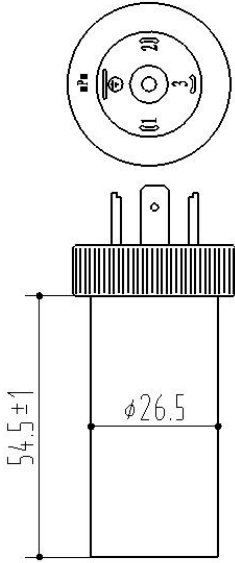
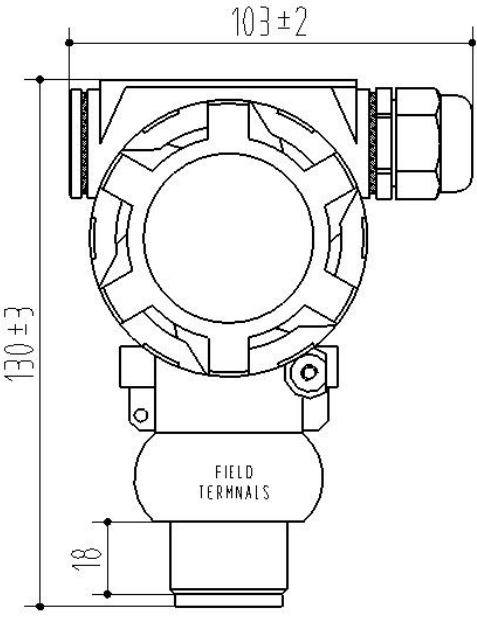
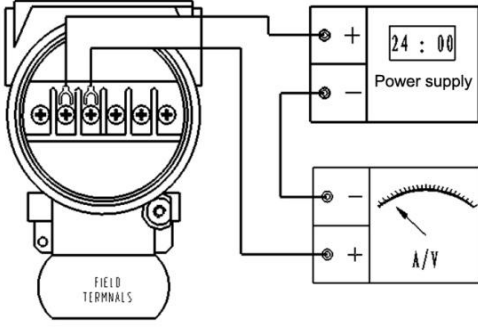
Performance parameters

Pressure range	-100...0~10kPa...10MPa
Pressure reference	Gauge pressure, Absolute pressure, Sealed gauge pressure
Supply & output	4~20mA(12~30VDC) 0~5V, 1~5V, 0~10V (12~24VDC)
Accuracy	0.5%FS
Hysteresis and repeatability	0.1%FS
Temperature drift	1.5%FS(@-20℃~85℃)

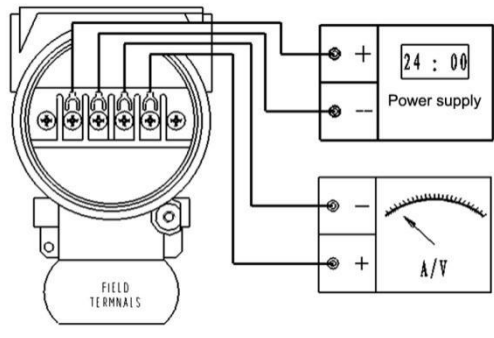
Performance parameters (cont.)

Response time	≤1ms (Up to 90%FS)
Service life	≥10×10 ⁶ pressure cycles
Operating temp.	-20℃～85℃
Medium temp.	-40℃～85℃ (without cooling fan) -40℃～150℃ (three cooling fans), -40℃～250℃ (five cooling fans)
Storage temp.	-40℃～85℃
Insulation resistance	≥100MΩ/250VDC
Anti-vibration performance	Sine curve: 20g, 25Hz～2kHz; IEC 60068-2-6 Random: 7.5grms, 5Hz～1kHz; IEC 60068-2-64
Protection grade	IP65
Medium compatibility	All kinds of media compatible with SS316L
Ex-proof grade	Intrinsically safe explosion-proof Exia II CT6

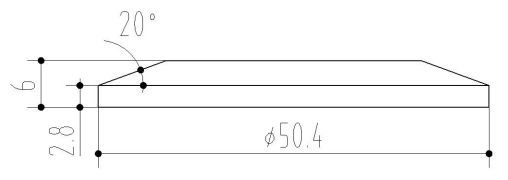
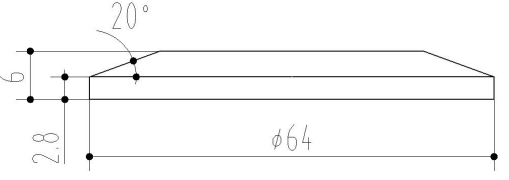
Electrical connection & wiring mode

Connector code	J5: DIN43650	J1: 2088 housing
Dimension In mm		
Connection mode (Current output)	<p>Pin 1: Power supply Pin 2: Current output</p>	

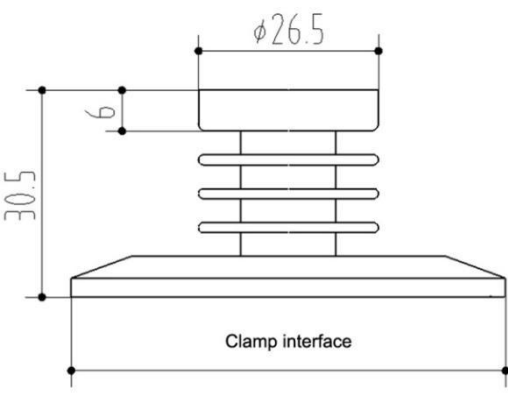
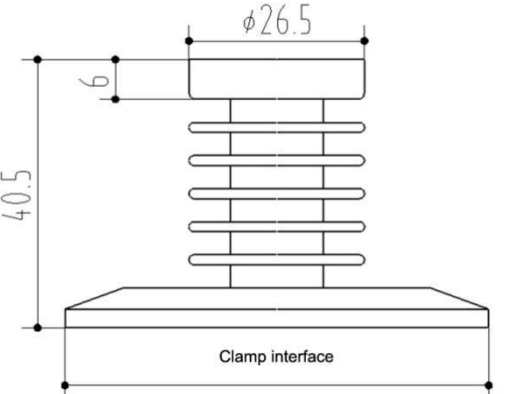
Electrical connection & wiring mode (cont.)

<p>Connection mode (Voltage output)</p>	<p>Pin 1: Power supply Pin 2: GND Pin 3: Voltage output</p>	
---	---	--

Clamp size

Clamp code	K1: 2 inch clamp	K2: 2.5 inch clamp
Dimension In mm		

Cooling fan design



Cooling fan code	T3: 3 cooling fans	T5: 5 cooling fans
Dimension In mm		

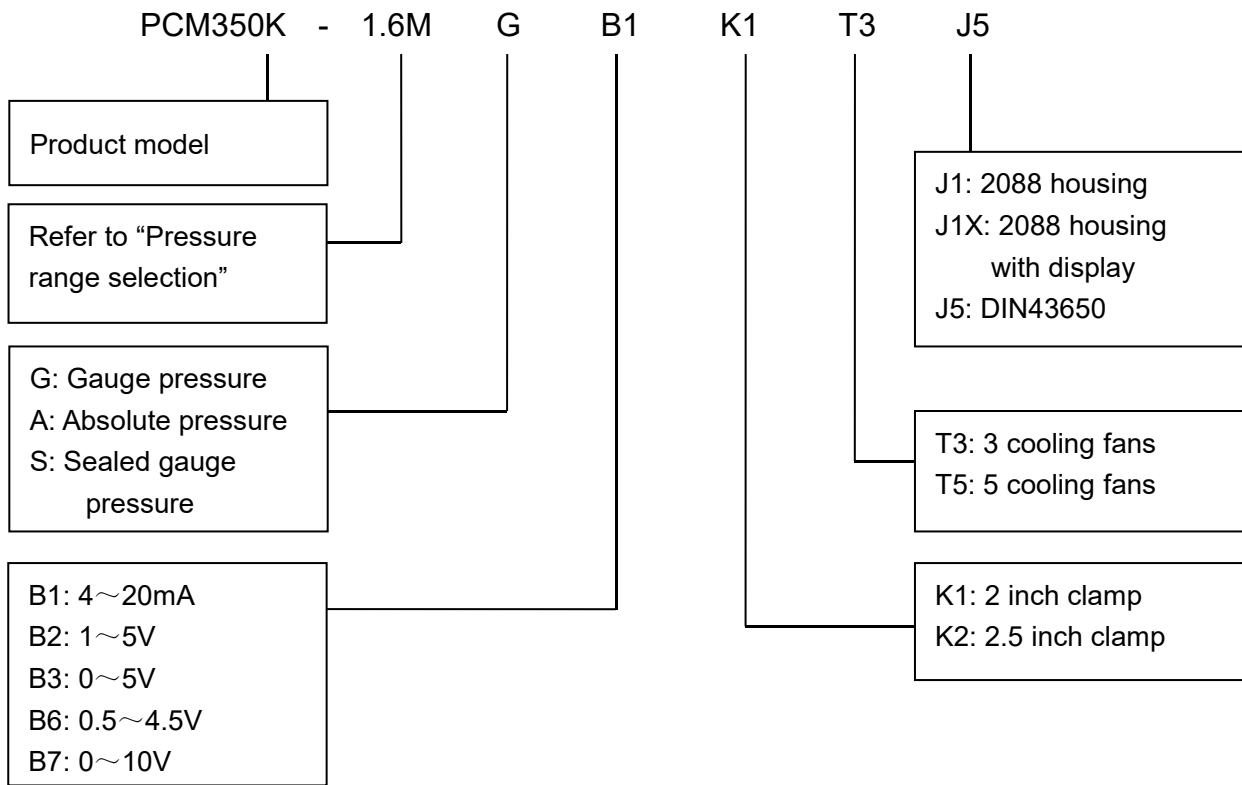
Pressure range selection

Pressure range code	Pressure reference	Pressure range	Overpressure	Burst pressure	NOTES
10k	G	0~10kPa	300%FS	500%FS	
20k	G	0~20kPa	300%FS	500%FS	
35k	G	0~35kPa	300%FS	500%FS	
70k	G	0~70kPa	300%FS	500%FS	
100k	G, A	0~100kPa	200%FS	300%FS	
250k	G	0~250kPa	200%FS	300%FS	
400k	G	0~400kPa	200%FS	300%FS	
600k	G	0~600kPa	200%FS	300%FS	
1M	G	0~1MPa	200%FS	300%FS	
1.6M	G, S	0~1.6MPa	200%FS	300%FS	
2.5M	G, S	0~2.5MPa	200%FS	300%FS	
6M	S	0~6MPa	150%FS	300%FS	
10M	S	0~10MPa	150%FS	300%FS	

Note: G stands for gauge pressure, A, absolute pressure, S, sealed gauge pressure.

Accessory

Name	Appearance	Description	Material No.
Hirschmann plug made in China		Made in China (Used by default)	100040301005
Imported Hirschmann plug		Fully imported	100040301013



Example: PCM350K-1.6MGB1K1T3J5

Refer to product model PCM350K, pressure range 0~1.6MPa, pressure reference gauge pressure, output signal 4~20mA, pressure connection 2 inch clamp, 3 cooling fans, electrical connection DIN43650.

Ordering tips

- (1) Please ensure the compatibility between the measured medium and the contacting part of the product when placing an order.
- (2) If there are special requirements for the product appearance or performance parameter, our company can provide customization.

Wotian reserves the right to make any change in this publication without notice. The information provided is believed to be accurate and reliable as of this product sheet.

Contact us

Nanjing Wotian Technology Co.,Ltd.

Website: www.wtsensor.com

Add: 5 Wenying Road, Binjiang Development Zone, Nanjing, 211161, China

Email: dr@wtsensor.com