

PCM107 Urea Pump Pressure Sensor

Features

It is a perfect environmental protection solution for all private cars, industrial vehicles and diesel vehicles that need to reduce harmful emissions.

Applications

- Diesel exhaust fluid
- Vehicle urea solution

Notes:

- 1 Do not touch the diaphragm with hard objects, which may cause damage to the diaphragm.
- 2 Please read the Instruction Manual of the product carefully before installation and check the relevant information of the product.
- 3 Strictly follow the wiring method for wiring, otherwise it may cause product damage or other potential faults.
- 4 Misuse of the product may cause danger or personal injury.



Product overview

The product is a small mounted piezoresistive pressure sensor, 316L stainless steel package, plastic housing and connection head, O-ring seal, which suit for various kinds of medium pressure applied to the steel diaphragm transmitted to the pressure chip through silicone oil. It suits for high precision, small range applications, temperature compensation, deviation correction and amplification functions (0.5V to 4.5V output). The sensor is CE certified and designed and produced according to TS16949 standard.

Notes:

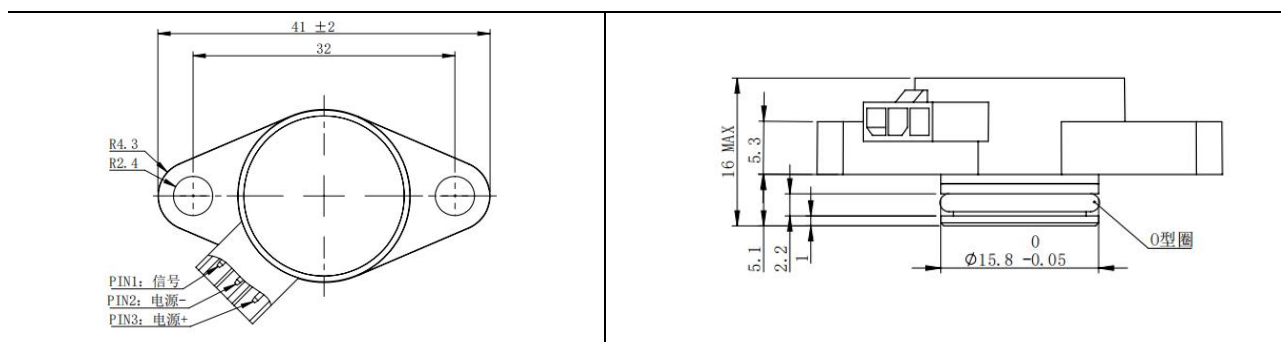
- 1 Do not misuse documentation.
- 2 The information presented in this product sheet is for reference only. Do not use this document as a product installation guide.
- 3 Complete installation, operation, and maintenance information is provided in the instructions of the product.
- 4 Misuse of the product may cause danger or personal injury.

Performance parameters

Process Pressure	0~12 bar A
Overload pressure	24 bar
Burst pressure	36 bar
Supply voltage	4.75~5.25 VDC
Over voltage	16V
Over pressure	200%
Rated output	0.5~4.5 VDC
Accuracy	0.5% SPAN (25±5°C)
Full temperature accuracy	±2%SPAN
Process temperature	-40 ~ 105°C
Storage temperature	-40 ~ 125°C
Response time	1.0ms
Connector model	MOLEX CONNECTOR#:43645-0300 MOLEX TERINALS#:43030-0003
Yearly drift	-1.5~+1.5% SPAN

Structure and dimensions

In mm



Ordering tips:

1. Ensure compatibility between measured media and contacting part of product.
2. Customization is available for special requirements on the appearance and performance parameters of the product.
3. The product is labeled by default.

Wotian reserves the right to make any change in this publication without notice. The information provided is believed to be accurate and reliable as of this product sheet.



Contact us

Nanjing Wotian Technology Co.,Ltd.

Website: www.wtsensor.com

Add: 5 Wenying Road, Binjiang Development Zone, Nanjing, 211161, China

E-mail: dr@wtsensor.com