

PCM602 Wind Differential Pressure Transmitter

Features

- $\varnothing 8$ Barbed connector, easy to install
- Measuring the tiny gas differential pressure value
- Firm aluminium alloy housing
- With the short-circuit protection and reverse polarity protection
- Full range compensation for zero and sensitivity temperature
- Strong circuit stability performance

Applications

- Applicable to the air supply for boiler, underground ventilation, and other electricity and mining industries, as well as the process control field of automated pressure detection for the clean room.

Notes:

- 1 Do not touch the diaphragm with hard objects, which may cause damage to the diaphragm.
- 2 It is recommended to install a three-valve assembly when using this product.
- 3 Please read the Instruction Manual of the product carefully before installation and check the relevant information of the product.
- 4 Strictly follow the wiring method for wiring; otherwise, it may cause product damage or other potential faults.



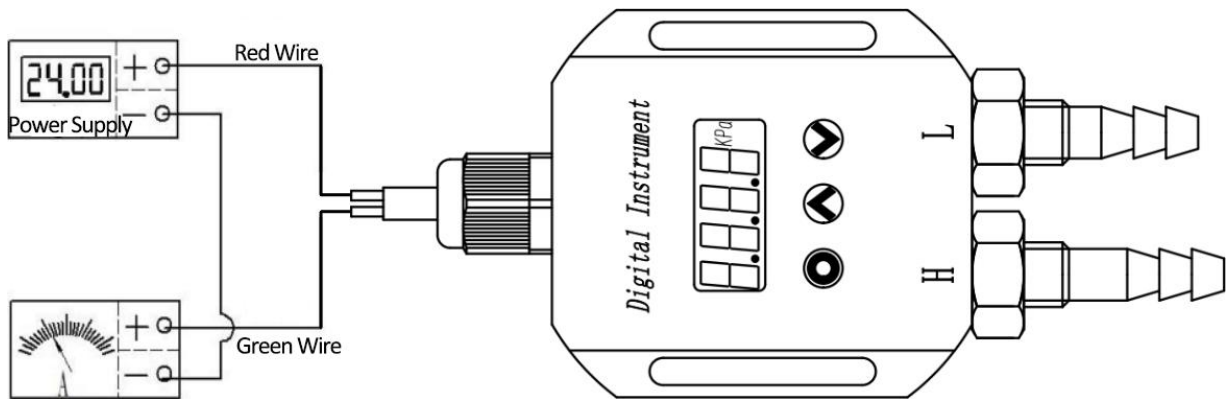
Product overview

The PCM602 wind differential pressure transmitter is assembled with a MEMS silicon piezoresistive differential pressure sensor and features an aluminium alloy structure housing and barbed structure pressure connection with an M10 thread. This design allows for direct installation on the measuring pipe or connection through an impulse pipe. PCM602 is easy to install and use, and is widely applied in air supply for boilers, underground ventilation, and other electricity and mining industries, as well as the process control field of automated pressure detection for a super clean workshop.

Notes:

- 1 Do not misuse documentation.
- 2 The information presented in this product sheet is for reference only. Do not use this document as a product installation guide.
- 3 Complete installation, operation, and maintenance information is provided in the instructions of the product.
- 4 Misuse of the product may cause danger or personal injury.

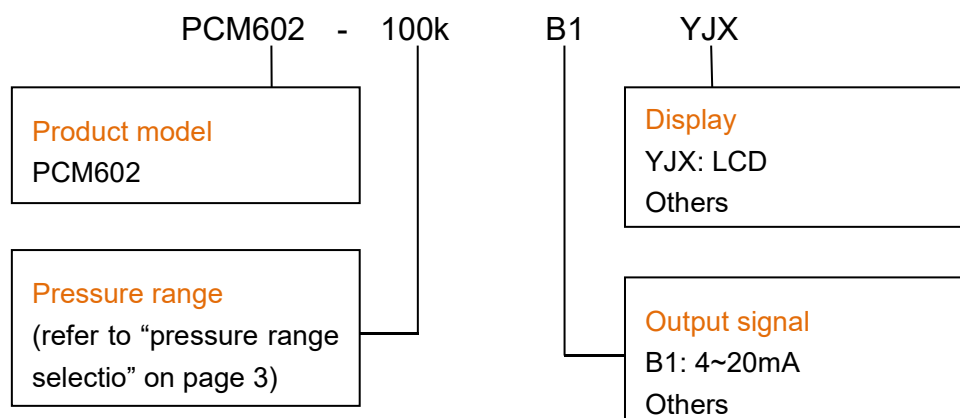
Wiring method



Pressure range selection

Range code	Pressure range	Overload pressure	Burst pressure	Note
200	0~200Pa	200%FS	300%FS	
500	0~500Pa	200%FS	300%FS	
1k	0~1kPa	200%FS	300%FS	
2k	0~2kPa	200%FS	300%FS	
5k	0~5kPa	200%FS	300%FS	
7k	0~7kPa	200%FS	300%FS	
10k	0~10kPa	200%FS	300%FS	
20k	0~20kPa	200%FS	300%FS	
35k	0~35kPa	200%FS	300%FS	
70k	0~70kPa	200%FS	300%FS	
100k	0~100kPa	200%FS	300%FS	

How to order





Example: PCM602-100kB1YJX

PCM602 Wind Differential Pressure Transmitter, pressure range 0~100kPa, output signal 4~20mA, LCD display.

Ordering tips

- 1 Standard accessories: 1.5m grey lead wires; The excess part should be additionally calculated as the optional accessory.
- 2 H: High-Pressure Port, L: Low-Pressure Port.
- 3 Default Factory Calibration Orientation: Horizontal.
- 4 LCD Display with pressure units (Pa/kPa/MPa/bar/psi).

Wotian reserves the right to make any change in this publication without notice. The information provided is believed to be accurate and reliable as of this product sheet.

Contact us

Nanjing Wotian Technology Co.,Ltd.

Website: www.wtsensor.com

Add: 5 Wenying Road, Binjiang Development Zone, Nanjing, 211161, China

E-Mail: dr@wtsensor.com