

PCM3502 Hydrogen Pressure Transmitter

Features

- Fully stainless steel structure
- Reliable performance
- Small size and light weight
- Protection level IP65
- Integrated structural design, no leakage risk
- Mature technology, suitable for mass production
- Vibration and shock resistance

Application and Industry

- Pneumatic control
- Hydrogen measurement
- Hydrogen-powered vehicles
- High-pressure pneumatic control system

Notes:

1. Do not touch the diaphragm with hard objects, as this may damage the isolation diaphragm.
2. Before installation, please read the product manual carefully and check the relevant information of the product.
3. Connect the wires strictly according to the wiring method; otherwise, it may cause product damage and other potential failures.
4. Improper use may result in danger and personal injury.



Product Description

This series of sensors is a glass micro-fused pressure transmitter developed by Wotian Technology specifically for measuring hydrogen. PCM3502 is made of 316L material. It features hydrogen permeation resistance and excellent stability, with a variety of output interfaces available. The product also has a unique integrated structure that eliminates leakage risks, offering good vibration and shock resistance. It is widely used in the hydrogen-powered vehicle and hydrogen measurement industries.

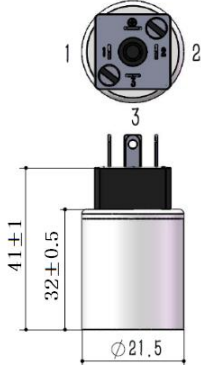
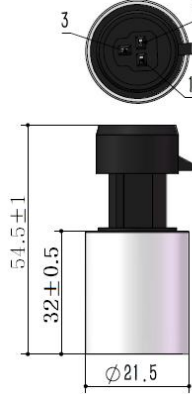
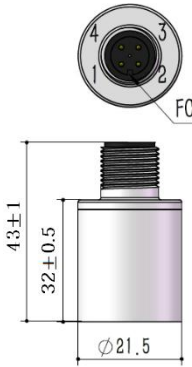
Notes:

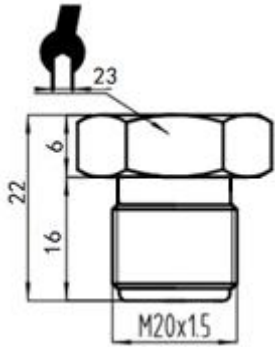
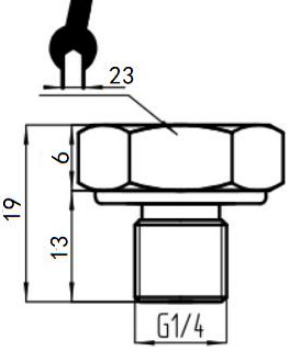
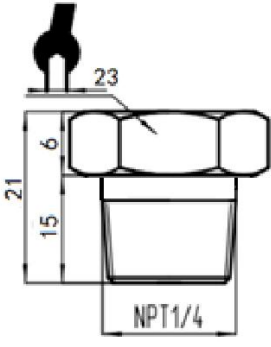
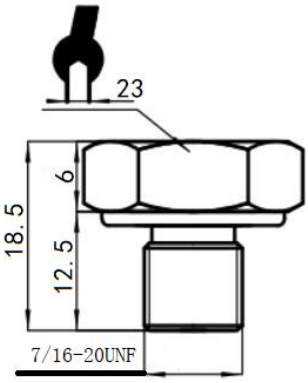
1. Do not misuse the file.
2. The information in this datasheet is for reference only and cannot be used as a guide for product installation.
3. Complete installation, operation, and maintenance information is provided in the product manual.
4. Improper use may result in danger and personal injury.

Performance parameters	
Pressure range	0~2.5MPa...70MPa
Insulation resistance	≥100MΩ / 250VDC
Accuracy	±0.5 %FS (@25 ± 5°C)
Full temperature range accuracy	±1.5 %FS (@-20~85°C)
Response time	≤90 ms
Overload pressure	2 × pressure range
Burst pressure	4 × pressure range
Durability	≥10 ⁶ pressure cycles
Operating temperature	-40°C~125°C
Storage temperature	-40°C~125°C
Shock & vibration	20g (20Hz to 2400Hz)
EMC	CISPR25: 2008 CE conducted emission CISPR25: 2008-6.4 RE radiated emission CISPR25: 2008-6.4 BCI high current injection ISO 7637-2:2011 CI power line pulse ISO 7637-2:2011 CTE pulse emission ISO 7637-2:2011 MFI low-frequency magnetic field immunity ISO 7637-3:2007 ICC signal line pulse ISO 7637-3:2007 CCC signal line pulse
Protection level	IP65 (Round Packard can meet IP67)
Media compatibility	Hydrogen and various media compatible with 316L stainless steel

Output and power supply		
Code	B1	B6
Output signal	4~20mA	0.5~4.5V R/M
Power supply	12~30VDC	5VDC

Electrical connection and wiring method

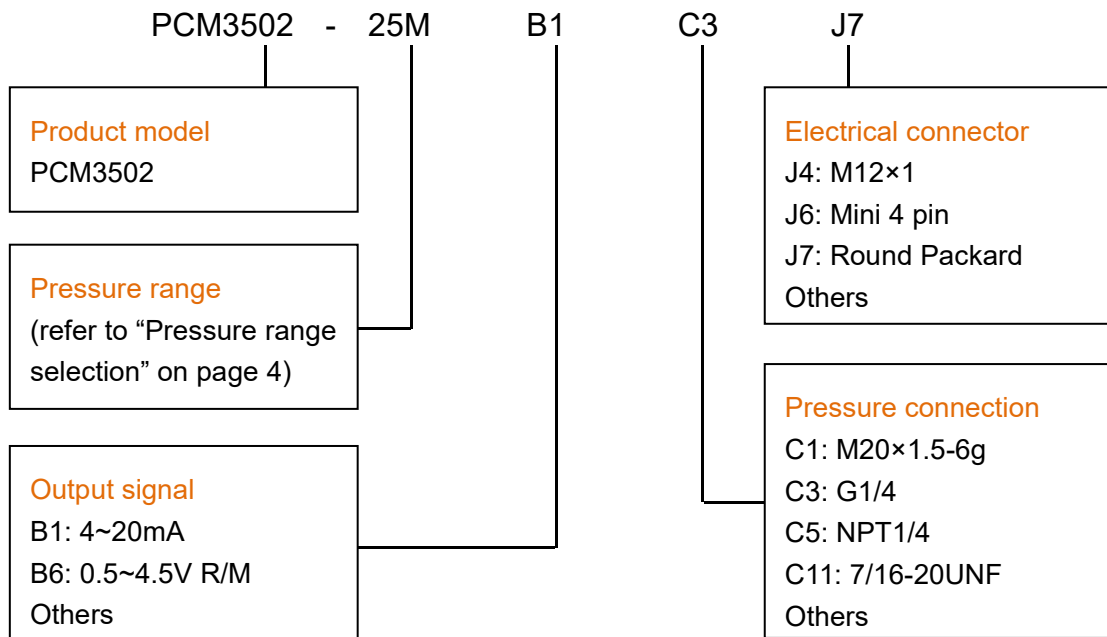
Connector code	J6: Mini 4 pin		J7: Round Packard	
<p>Dimensions Unit: mm</p>				
<p>Wiring (2-wire current)</p>	<p>Pin 1: Supply+ Pin 2: Current output Pin 3: Floating Ground: Floating</p>		<p>Pin 1: Supply+ Pin 2: Current output Pin 3: Floating</p>	
<p>Wiring (3-wire voltage)</p>	<p>Pin 1: Supply+ Pin 2: Common ground Pin 3: Voltage output Ground: Floating</p>		<p>Pin 1: Supply+ Pin 2: Common ground Pin 3: Voltage output</p>	
Connector code	J4: M12×1			
<p>Dimensions Unit: mm</p>				
<p>Wiring (2-wire current)</p>	<p>Pin 1: Supply+ Pin 2: Current output</p>		<p>Pin 3: Floating Pin 4: Floating</p>	
<p>Wiring (3-wire voltage)</p>	<p>Pin 1: Supply+ Pin 2: Voltage output</p>		<p>Pin 3: Common ground Pin 4: Floating</p>	

Pressure Port			
Thread code	C1: M20×1.5-6g	C3: G1/4	C5: NPT1/4
Dimensions Unit: mm			
Recommended torque	15~25Nm	15~25Nm	15~25Nm
Thread code	C11: 7/16-20UNF		
Dimensions Unit: mm			
Recommended torque	15~25Nm		

Note: Torque depends on various factors, including gasket material, mating material, thread lubrication, and pressure level.

Pressure range selection				
Range code	Measuring range	Overload pressure	Burst pressure	Note
2.5M	0~2.5MPa	200%FS	500%FS	
25M	0~25MPa	200%FS	500%FS	
45M	0~45MPa	200%FS	400%FS	
70M	0~70MPa	200%FS	400%FS	

How to order



Example: PCM3502-25MB1C3J7

The model is PCM3502, measuring range: 0~25MPa, output signal: 4~20 mA, pressure connection: G1/4, Round Packard connector.

Wotian reserves the right to make any change in this publication without notice. The information provided is believed to be accurate and reliable as of this product sheet.

Contact us

Nanjing Wotian Technology Co.,Ltd.

Website: www.wtsensor.com

Add: 5 Wenying Road, Binjiang Development Zone, Nanjing, 211161, China

E-Mail: dr@wtsensor.com